



To Make Your Embedded Idea a Reality



Acrosser Headquarters

241新北市三重區光復路一段61巷26號10樓
10F., No.26, Ln. 61, Sec. 1, Guangfu Rd.,
Sanchong Dist., New Taipei City 241, Taiwan (R.O.C.)
TEL: +886-2-29999000
FAX: +886-2-29992887

Acrosser Taichung Office

414台中市烏日區僑仁街8號10樓之1
10F.-1, No.8, Qiaoren St., Wuri Dist.,
Taichung City 414, Taiwan, (R.O.C.)
TEL: +886-4-23370715
FAX: +886-4-23373422

Acrosser USA Inc.

8351 Elm Ave, Suite 107,
Rancho Cucamonga, CA 91730
TEL: (909)476-0071
FAX: (909)466-9951

Acrosser China Subsidiary

深圳市欣扬通电子有限公司
深圳市福田区天安车公庙工业区天经大厦AB座3楼B3-08(邮编:518040)
B3-08, 3/F, Block AB, Tianjing Building, Chegongmiao Industrial Zone,
Tian'an, Futian District, Shenzhen, China(Postal:518040)
TEL: +86-755-83542210
FAX: +86-755-83700087

Acrosser Nanjing Office

欣扬通电子有限公司 南京办事处
江苏省南京市江宁区天元东路228号504室(莱茵铂郡) (邮编211112)
Room 504, No. 228, Rhine County Building, Tian Yuan East Rd.,
Jiang Ning Dist., Nanjing City, Jiangsu, China (Postal:211112)
TEL: +86-025-86137002
FAX: +86-025-86137003

Acrosser Beijing Office

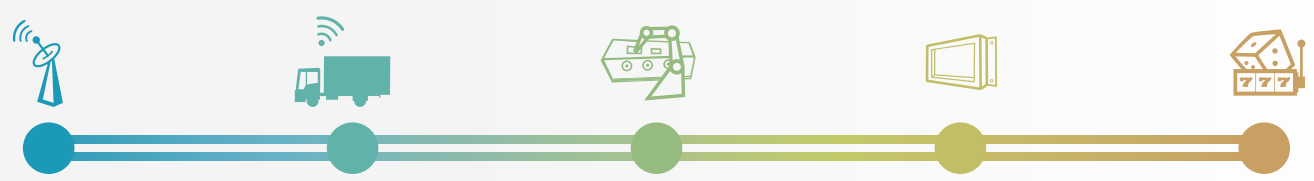
欣扬通电子有限公司 北京办事处
北京市昌平区沙河镇沙阳路讯华新村 8号楼 2单元 1403室
Room 1403, Unit 2, Building 8, Gonghua Village, Shahe Town,
Changping District, Beijing, China
Mobile: +86-13311317329



2019 To Make Your Embedded Idea a Reality

Vol. 1.0

ACROSSER



• IoT/Network Appliance | • Embedded Computer | • Gaming Platform



• In-Vehicle Computer | • Panel PC



Acrosser Product Guide



Company Profile

Founded in 1987, Acrosser is a global pioneer in the evolution of industrial computing. For several decades now, Acrosser had provided innovative embedded computer solutions and high-quality hardware products at very competitive prices to over thousands of customers world-wide, substantially helped them reduce time-to-market and gain high-level competence to succeed and win in the marketplace.



Business Scope



Wide Array of Standard Industrial PC Products

Acrosser designs a wide array of commercially-off-the-shelf(COTS) single board computer (SBC) products, all following International Open Standards. Acrosser manufactures SBCs; such as embedded PC/104(+), EPIC, embedded ATX, mini-ITX, industrial ISA, PCI, PCI-Express, among others. These products/ solutions provide easy-maintenance, faster-upgrade and offer international compatibility advantages; thereby saving your initial investment/s. Acrosser offers a broad range of product lines (SBCs, embedded) computers, panel PCs, networking appliances) that efficiently performs in various widely-used major operating systems such as: Windows®7, Windows®8, Windows®10, Linux Fedora, Linux Ubuntu, and many others.



In-Depth and Versatile Applications Experience

Since 1987, Acrosser had and continues to assist its customers develop various embedded systems for different automation, such as: network security, wireless appliance, gaming, medical, industrial automation, surveillance, POS, KIOSK, digital signage, home and building automation, instrumentation, marine, military, transportation, etc. Acrosser's team of professionals has the necessary knowledge of the vertical markets, and can help its customers develop the right solutions to easily pass the required certificates in projects, such as: FDA for medical, GLI, Comma 6A for gaming, and FCC/ CE for al products.



Top Quality Assurance with Long Life-Cycle Supply

Acrosser, through the years, had been and continues to be among preferred vendors of thousands of customers world-wide, some of which rank among the top Fortune 500 companies. Acrosser's implementation of 100% ESS (Environmental Stress Screen) burning, dynamic vibration and various functional tests on every mass production unit help its customers save from costly RMA repairs. As for its commitment to high quality products, Acrosser designs all products based on its embedded roadmap with a minimum 5-year product life. Along with a very strict revision control system, Acrosser provides its customers with stable, long term products supply.

Acrosser values and encourages participation from all its employees, and believes that everyone contributes to Acrosser's overall success. With a mission statement "Making Your Embedded Idea a Reality", Acrosser keeps its major promise to all its customers by continuously developing innovative solutions, and providing professional and cost-effective OEM/ODM/JDM custom design services in a timely manner. In the bottom-line, Acrosser will assist you and your company in becoming a market leader, and substantially help in building and achieving a win-win business partnership together.



Table of Contents

CPU/Chipset	Form Factor	Model No.	Page
In-Vehicle Computer			
Intel Q170	In-Vehicle PC	AIV-Q170V1FL	6
Intel Apollo Lake	In-Vehicle PC	AIV-APL1V1FL	8
Intel QM97	In-Vehicle PC	AIV-QM97V1FL	10
	Car Monitor	AR-DP071VW	12
	Car Monitor	AR-DP080V	13
	Car Monitor	AR-DP080VW	14
	Car Monitor	AR-DP100V/VD	15
Gaming Platform			
AMD Fusion	Proprietary Gaming Board	AMB-A55EG1	18
Networking Appliance			
Intel Purley Series	2U Rackmount	ANR-C627/622N1	26
Intel Purley Series	2U Rackmount	ANR-C627/622N1U	28
Intel PCH C236	1U Rackmount	ANR-C236N1	30
AMD Snowy Owl EPYC™ 3000 Series	1U Rackmount	ANR-EP3KN1	32
Intel® Denverton Series	1U Rackmount	ANR-DNV3N1	34
Intel Apolle Lake Series	1U Rackmount	ANR-APL1N1	36
Intel B75	1U Rackmount	ANR-IB75N2/A/B	38
Intel Bay Trail Celeron J1900 / J1800	1U Rackmount	ANR-J190/J180N2-C612	40
Intel Denverton Series	Desktop	AND-DNV3N1	42
Intel Denverton Series	Microbox	AND-DNV3N2FL	44
Intel Apolle Lake Series	Microbox	AND-APL1N1FL	46
Intel Bay Trail Celeron J1900 / J1800	Microbox	AND-J190/J180N2-C612	48
AMD® G-Series	Microbox	AND-G420N1	50
Intel Apollo Lake N4200	Microbox	AES-APL1E2FL	52
Embedded Computer			
Intel Apollo lake	Fanless Embedded System	AES-APL1E1FL	58
Intel Bay trail	Mini-ITX	AMB-BT18T2	60
Intel H81	Mini-ITX	AMB-IH81T3	62
Intel XEON D	COM Express type 7	ACM-XD15MT	64
Intel Bay trail	3.5"	AMB-BT19S1	65
DM&Vortex86DX Dx3	ISA Half-Size	AMB-VDX3H1	66
Panel PC			
Intel Bay Trail Atom Celeron N2930	Industrial Panel PC	AR-PA807(P)FL	70
Intel Bay Trail Atom Celeron N2930	Industrial Panel PC	AR-PA808(P)FL	70
Intel Bay Trail Atom Celeron N2930	Industrial Panel PC	AR-PA810(P)FL	72
Intel Bay Trail Atom Celeron N2930	Industrial Panel PC	AR-PA812(P)FL	72
Intel Bay Trail Atom Celeron N2930	Industrial Panel PC	AR-PA815(P)FL	74
Intel Bay Trail Atom Celeron N2930	Industrial Panel PC	AR-PA817(P)FL	74
Freescale I.MX6 DualLite	Industrial Panel PC	APC-MX610FL/GFL/PFL	76
Freescale I.MX6 DualLite	Industrial Panel PC	APC-MX612FL/GFL/PFL	76
Freescale I.MX6 DualLite	Industrial Panel PC	APC-MX615FL/GFL/PFL	76
Intel Celeron N2930	Industrial Panel PC	APC-MX810FL/GFL/PFL	78
Intel Celeron N2930	Industrial Panel PC	APC-MX812FL/GFL/PFL	78
Intel Celeron N2930	Industrial Panel PC	APC-MX815FL/GFL/PFL	78

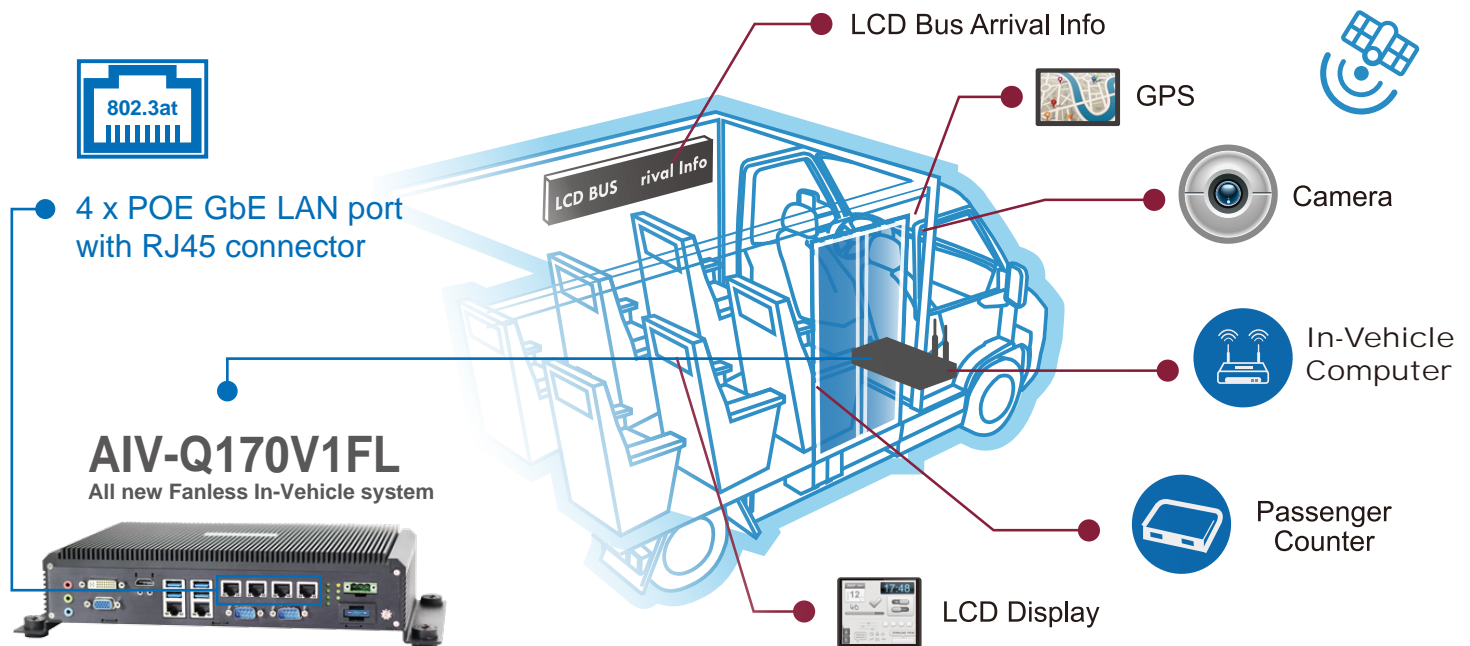
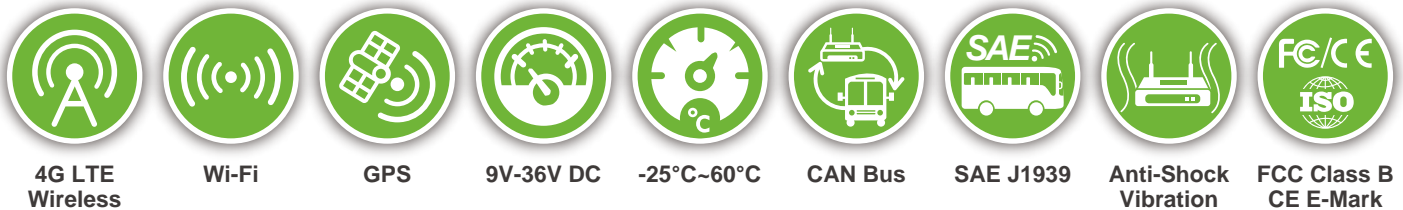
In-Vehicle Computer

Acrosser In-Vehicle Computer is designed to perform multiple in-car functions, including infotainment, fleet management, telematics, video surveillance, taxi dispatch and law enforcement. A newer unique needs in intelligent traffic system, asset management, job dispatch, video surveillance and fuel saving has come to the market recently. and Acrosser will help customers to enter this new market.

With the compliance of ISO 7637-2 and E-Mark, Acrosser provides solid car pc solutions for its customer to shorten time-to-market. Common features of Acrosser on board computer includes: CAN Bus, GPS, GPRS/3.5G/LTE, Wi-Fi, Bluetooth, anti-shock and anti-vibration. Acrosser In-Vehicle computers integrates wide range DC input with surge protection, which resolves the critical power management issue within each vehicle. Therefore, Acrosser's car pc was embedded into multiple applications, from taxi, police car, ambulance to fire fighter truck, heavy duty truck, bus, construction vehicle and train.

In-Vehicle Computer

Acrosser In-Vehicle PC Plays Significant Role in Telematics



Product Matrix

In-Vehicle Computers



Form Factor	In-Vehicle Computer		
Model Name	AIV-Q170V1FL	AIV-APL1V1FL	AIV-QM97V1FL
Specification			
CPU	Intel® Sky-lake-S i7-6700 TE / i5-6500 TE / i3-6100 TE	Intel® Atom™ x7-E3950 Intel® Atom™ x5-E3930	Intel Core i7 5650U / i5 5350U / i3 5010U
Memory	2 x DDR4-SO-DIMM support up to 32GB	2 x DDR3L SO-DIMM, support up to 8GB	2 x DDR3L SO-DIMM, up to 16GB
Video			
Video Interface	1 x HDMI (With locking bracket) 1 x VGA 1 x DVI-D	1 x VGA port (DB15) 1 x DVI connector	1 x HDMI type A connector 1 x DVI-D connector
Storage			
SATA	2 x SATA III port	2 x SATA II port	1 x SATA III port
SSD			1 x M.2 SSD
CF	1 x CF		1 x External CF socket
Disk Bay	2 x Anti-shock 2.5" HDD Bay with easy swappable bracket	2 x Anti-shock 2.5" HDD Bay with easy swappable bracket	1 x Anti-shock 2.5" SDD Bay with Anit-vibration / Anit-shock
I/O			
Expansion Slot	3 x mini PCIe	3 x mini PCIe	1 x mini PCIe
Ethernet	4 x POE GbE LAN	2 x GbE LAN	2 x GbE LAN
Serial Port	3 x RS232 4 x RS232/422/485	3 x RS232 1 x RS232/422/485	2 x RS232 1 x RS422/485
USB	8 x USB 3.0	4 x USB 3.0	2 x USB 3.0 2 x USB 2.0
GPIO	4 In, 4 Out	4 In, 4 Out	4 In, 4 Out
Audio	3 x Audio jack	1 x MIC in, 1 x Audio out	1 x MIC in, 1 x Audio out
Remote Control	1 x Remote control switch	1 x Remote control switch	1 x Remote control switch
SIM	2 x External SIM Slot	2 x External SIM Slot	1 x External SIM Slot
Can Bus (2.0A/2.0B)	YES	YES	YES
iButton			1-Wire interface
Power Requirement			
Wide Range Input	DC 9V ~ 36V	DC 9V ~ 36V	DC 9V ~ 32V
Power Output			DC 12V (Combo)
Software			
OS Support	Windows 10 Enterprise Linux Kernel 4.4	Windows 10 Enterprise Linux Kernel 4.4	Windows 7 / Windows 8.1 Fedora 21 / Ubuntu 15.04
Mechanical & Environment			
Dimension	270 x 170 x 63 mm	260 x 195 x 80 mm	290 x 190 x 45 mm
Weight	6.2 Kg	4 Kg	4 Kg
Operating Temp	-25 ~ 60°C (-13 ~ 140°F)	-25 ~ 60°C (32 ~ 140°F)	0 ~ 60°C (32 ~ 140°F)
Vibration/Shock/Safety	Comply IEC 60068-2-64 / Comply IEC 60068-2-27 / CE, FCC Class B, E-Mark 13		
Optional Wireless Module			
3.5G	GPRS/EDGE/WCDMA/HSUPA/HSDPA		
GPS / WiFi / Bluetooth	YES, IEEE 802.11 b/g/n, YES		
Reference			
Page	6	8	10

Product Matrix

In-Vehicle Monitors



Form Factor	In-Vehicle Monitors	
Model Name	AR-DP071VW	AR-DP080V
Panel Size	7" Wide Screen (16:9)	8" Screen (4:3)
Resolution	640 x 480~1920 x 1080 pixels	640 x 480~1600 x 1024 pixels
Luminance	400 nits (cd/m2)	600 nits (cd/m2)
View Angle(T/B/L/R)	50/70/70/70 deg.	40/60/60/60 deg.
Backlight Lifetime	20,000 hours	20,000 hours
Operating Temp	-30~85°C	-10~60°C
Power Consumption	12W	10W
I/O Combo cable (One-to-VGA / USB / Audio / DC interface)		
Video	VGA (DB15)	VGA (DB15)
Touch Screen	4-Wire Resistive USB interface	4-Wire Resistive USB interface
Audio	3.5mm stereo Jack	3.5mm stereo Jack
DC	DC Jack (12V ~ 24V)	DC Jack (12V)
Reference		
Page	12	13

In-Vehicle Monitors



Form Factor	In-Vehicle Monitors	
Model Name	AR-DP080VW	AR-DP100V / VD
Panel Size	8" Wide Screen (16:9)	10.4" Screen (4:3)
Resolution	640 x 480~1600 x 1024 pixels	640 x 480 pixels~1024 x 768 pixels
Luminance	400 nits (cd/m2)	300 nits (cd/m2)
View Angle(T/B/L/R)	40/60/60/60 deg.	50/60/75/75 deg.
Backlight Lifetime	20,000 hours	LED
Operating Temp	-30~85°C	-10~ 60°C
Power Consumption	10W	12W
I/O Combo cable (One-to-VGA / USB / Audio / DC interface)		
Video	VGA (DB15)	VGA (DB15) + DVI (Optional)
Touch Screen	4-Wire Resistive USB interface	4-Wire Resistive USB interface
Audio	3.5mm stereo Jack	3.5mm stereo Jack
DC	DC Jack (12V)	DC Jack (12V ~ 24V)
Reference		
Page	14	15

AIV-Q170V1FL

Fan-less PC Sky-lake S TE Ver CPU with 4 x POE smart power system



Features

- Support 4 X POE GbE LAN port with RJ45 connector
- Support 2 x swappable 2.5 inch SSD bay
- Support 3 x Mini PCI-e (For 4G & GPS module with 2 x SIM card Socket)



Specification

System

CPU	Intel® Sky-lake-S 6th Gen Core™ i7-6700 TE Intel® Sky-lake-S 6th Gen Core™ i5-6500 TE Intel® Sky-lake-S 6th Gen Core™ i3-6100 TE
Chipset	Intel® Q170 chipset
Memory	2 x DDR4-SO-DIMM

Video

Chipset	Intel® HD Graphics 530
Video Memory	Integrated
Video Interface	1 x HDMI (With locking bracket) 1 x VGA 1 x DVI-D

Storage

SATA	2 x SATA III port
Disk Bay	2 x swappable 2.5 inch SSD bay
CF	1 x CF

I/O

Ethernet	2 x GbE, RJ45, Intel i210IT chipset
PoE	4 X POE GbE LAN port with RJ45 connector (802.3at ,total 60W max)
USB	8 X USB 3.0
Serial Port	4 X COM - DB9 (RS232/RS422/485)
CAN Bus	CAN Bus 2.0B / OBD II (J1939) for BOM Option
GPIO	GPIO 4-in / 4-out,
Audio	3 x Audio jack Green: Audio out Blue: Remote switch Pink : Mic in
Mini-PCI-e	3 x Mini PCI-e socket
SIM Card	2 x SIM card Socket

Others

WatchDog Timer	1~255 sec. software programmable(0=Disable)
TPM	On-board TPM 1.2 / 2.0 for optional
G Sensor	1 x G Sensor board

Software

OS Support	Windows 10 (64 bit) / Linux kernel to 4.4 or above(64 bit)
------------	--

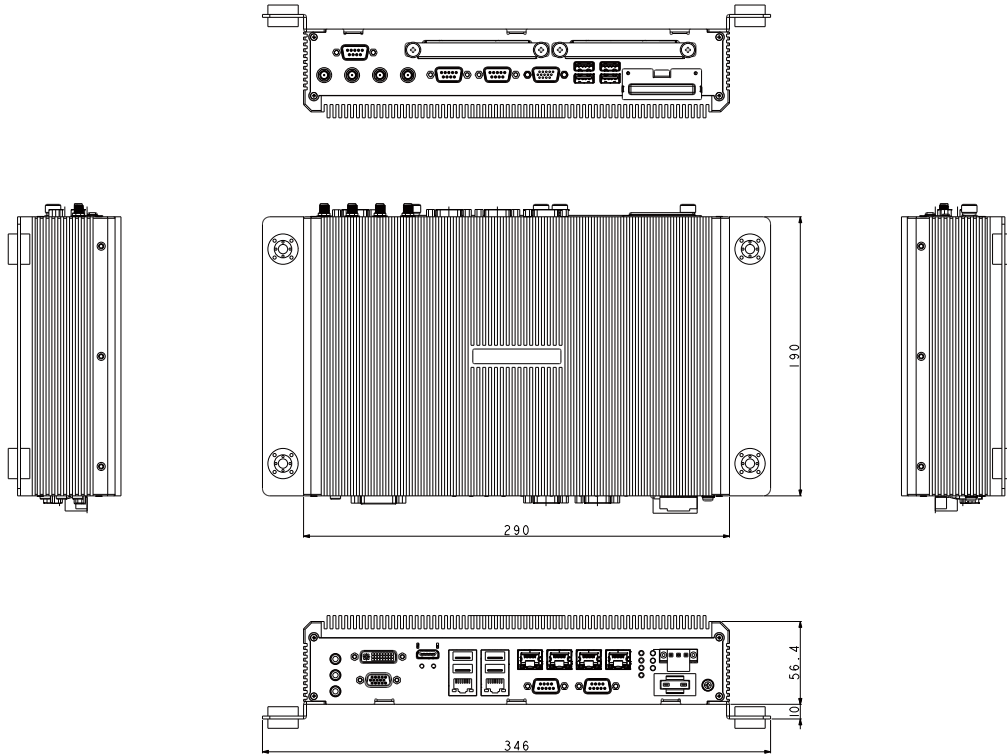
Power Requirement

Power Input	Power sub system spec:16~75 V power input
-------------	---

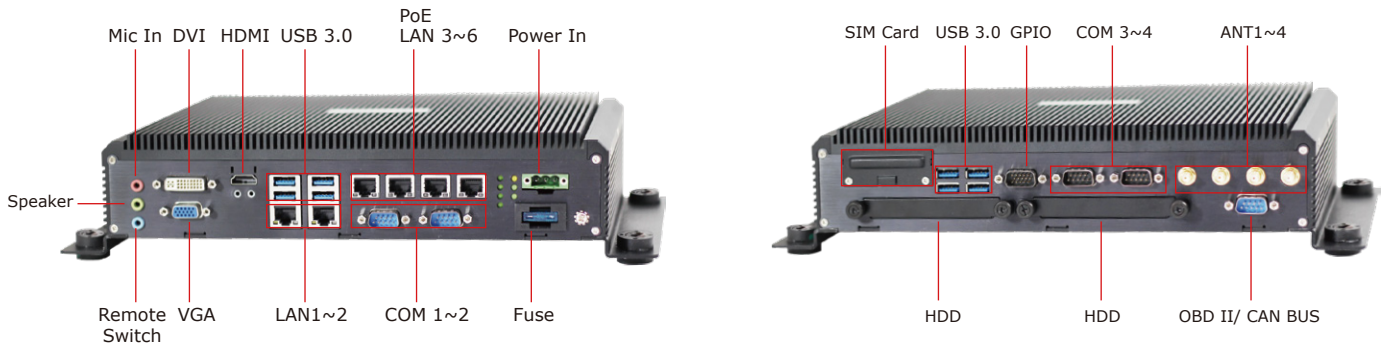
Mechanical & Environment

Dimension	270mm x 170 mm x 63 mm
Operating Temp.	-25 ~ 60°C
Chassis	Aluminum extrusion heat sink & metal chassis
Thermal Design	Fan less
Weight	6.2 Kg
Storage Temp	-40~80°C (-40~176°F)
Safety	CE / FCC class B / E Mark ,

Dimension



I/O Connectors



Packing List

- 1 x AIV-Q170V1FL
- 1 x System Driver CD
- 1 x Terminal block female 3pin
- 1 x HDMI locking bracket
- 1 x 8 bit GPIO/CAN Cable
- 1 x Remote switch cable

Ordering Information

AIV-Q170V1FL	AIV-Q170V1FL (CAN BUS 2.0)
AIV-Q170V1FL-OB2	AIV-Q170V1FL-OB2 (OB2 II)
AIV-Q170V1FLS	AIV-Q170V1FLS (CAN BUS 2.0)
AIV-Q170V1FLS-OB2	AIV-Q170V1FLS-OB2 (OB2 II)

Optional Module List

- EC20/EC25 (Quectel)(4G + GPS + Glonass)module
- Sierra MC7430(APAC)(4G + GPS + Glonass)for s moodel only
- Sierra MC7455(America)(4G + GPS + Glonass)for s moodel only
- Sparklan 251NBT(2T2R) Wi-Fi + BT a/b/g/n
- RTL8812AEACC-01 (2T2R) Wi-Fi + BT a/b/g/n/ac
- G sensor Board (ADXL345)
- 4GB DDR4 2133 SO-DIMM 1Rx8
- 8GB DDR4 2133 SO-DIMM 2Rx8

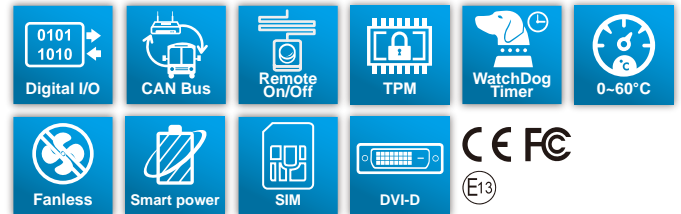
AIV-APL1V1FL

New Intel Pentium-N4200 Fan Less In-Vehicle Computer



Features

- Rugged fan-less design
- Support New Intel Pentium N4200 processors
- 1 x DDR3L 1866 MHz SO-DIMM, up to 8GB
- Support CAN 2.0A/2.0B & J1939 protocol(Optional)
- VGA & DVI video output
- Support 4 Channel analog Capture card
- 2 x swappable 2.5" HDD bay
- TPM 1.2 / 2.0
- Variety Wireless Communication



Others Feature

WatchDog Timer 1~255 sec. software programmable

Software

OS Support Windows 10 (64 bit)& Linux kernel to 4.4 or above(64 bit)

Power Requirement

Power Input 9~36 V

Mechanical & Environment

Dimension 260mm x 195mm x 63mm
 Operating Temp. -25°C ~ 60°C
 Vibration IEC 60068-2-64, 5~500Hz, 3GRMS(SSD)
 Shock IEC 60068-2-27, 50G 500m/s² 11MS
 Storage Temp -40~80°C (-40~176°F)
 Safety CE, FCC class B, E-Mark

Smart In-Vehicle Power Management

O/S Anti-Crash Smart O/S boot/shut-down control by power subsystem
 System boot / Shut-down delay Delay time from 0 seconds to 60 minutes setting in BIOS
 System boot fail retry 3 times boot fail retry
 Power on/off switches

- System power switch by remote cable switch
- System power input serial connection to car battery and ignition switch

 Car battery protection Low battery voltage monitoring and configurable auto shutdown low battery voltage level

Specification

System

CPU	Intel® Pentium™-N4200
Chipset	Intel Apollo lake SoC
Memory	2 x DDR3L 1866 MHz ,SO-DIMM, support up to 8GB

Video

Graphic Controller	Intel HD Graphics 505
Video Interface	1 x VGA port (DB15) ,1 x DVI

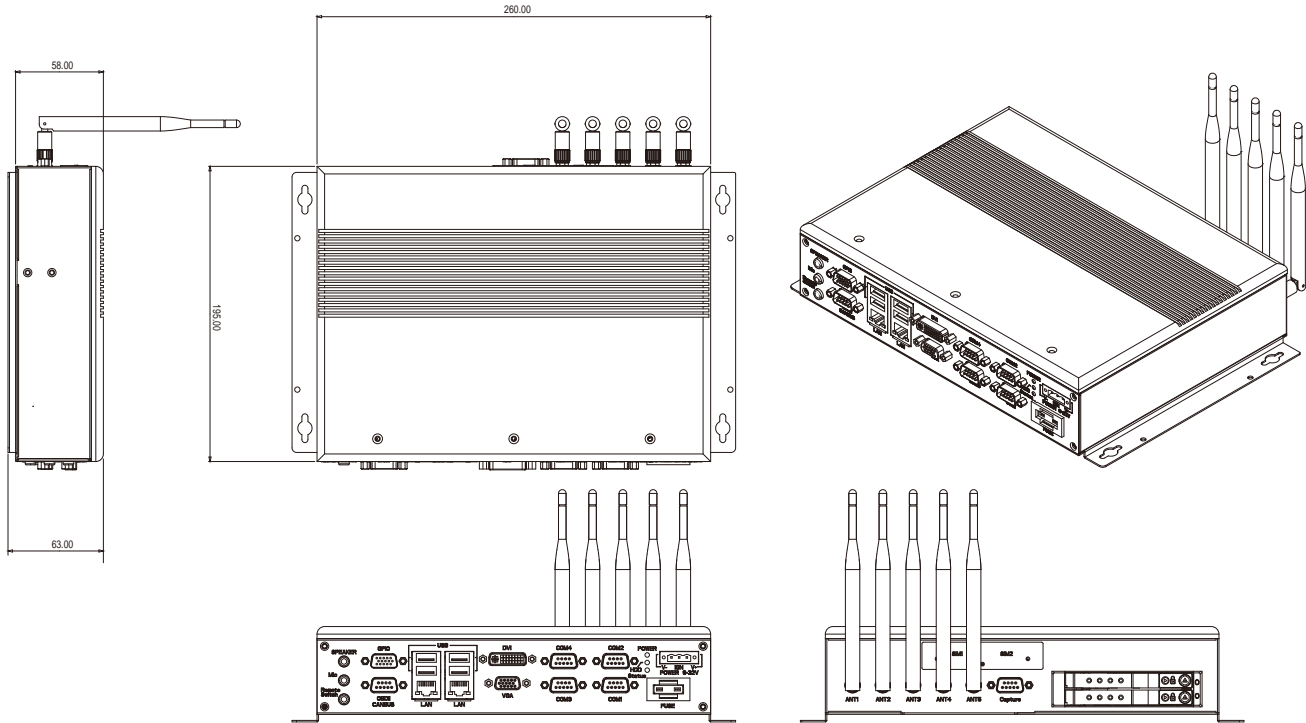
Storage

SATA	2 x SATA III port
Disk Bay	2 x swappable 2.5" Disk bay with Anti-vibration/ Anti-shock solution for SSD only

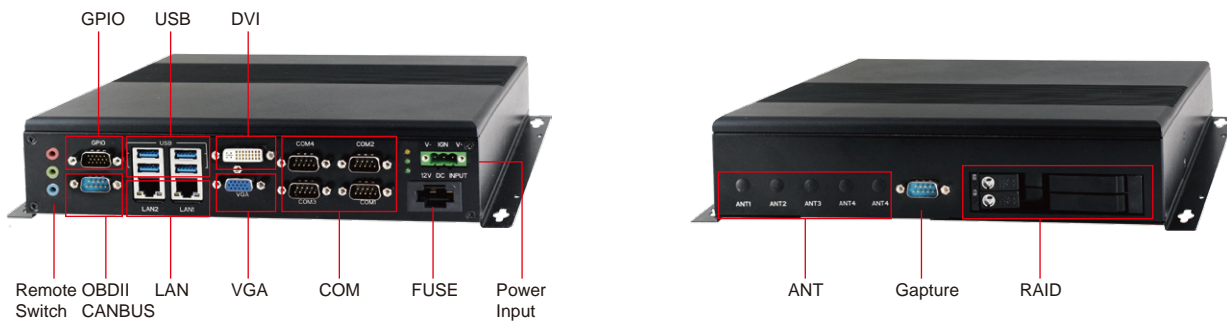
I/O

Expansion Slot	3 x Mini PCI-e(Reserve for Wi-Fi and 4G LTE)
Ethernet	2 x GbE RJ45, Intel i210AT
Serial Port	1 x RS-232/422/485 3 x RS-232
USB	4 X USB 3.0
GPIO	8-bit GPIO (4 In, 4 Out)
Audio	1 x MIC in 1 x Audio out
Antenna Hole	1 x SMA for GPS 1 x SMA for 4G 2 x SMA for Wi-Fi & Bluetooth
SIM	SIM Slot x 2, SIM card changeable without opening case, latch to protect SIM uncertainly touch
CAN BUS	DB9 connector, support CAN 2.0A/2.0B protocol (J1939 for optional)
TPM	On-board TPM 1.2 / 2.0(Optional)

Dimension



I/O Connectors



Packing List

- 1 x AIV-APL1V1FL
- 1 x User Guide CD with driver
- 1 x GPIO/CAN Cable
- 1 x Terminal block (Plug-DC connector)
- 1 x Remote Switch Cable
- 1 x Antenna for GPS (option)
- 2 x Antenna for Wi-Fi & Bluetooth (option)
- 1 x Antenna for 4G LTE (option)
- 1 x Spare Fuse

Ordering Information

AIV-APL1V1FL-PT1 AIV-APL1V1FL- Intel Pentium N4200+CAN 2.0
 AIV-APL1V1FL-PT1OB AIV-APL1V1FL- Intel Pentium N4200+OBD II

Optional Modules

EC20/EC25	Quectel 4G + GPS + Glonass module
MC7455/MC7430	Sierra 4G + GPS + Glonass module
RTL8812AEACC-01	Realtek (2T2R) Wi-Fi+BT a/b/g/n/ac
251NBT	Sparklan (2T2R) Wi-Fi+BT a/b/g/n
SC330N4	Yuan Analog Capture card 4ch With Testing Cable
G-SenSor	G-SenSor board

AIV-QM97V1FL

All new Fanless In-Vehicle system, Intel Core i3/i5/i7 Broadwell U with smart power system, GPS/ 4G LTE/ WiFi/ Bluetooth/ M.2 SSD option module



Features

- Rugged fanless design
- Support Intel 5th generation Core i Broadwell U processors
- 2 x DDR3L-1600MHz, SO-DIMM, up to 16GB
- Support CAN 2.0A/2.0B protocol and i-Button for driver ID
- HDMI & DVI-D output
- Wide variety of wireless communication options
- M.2 SSD & M.2 4G LTE support



Specification

System

CPU	Intel Core i3 5010U / i5 5350U / i7 5650U
Chipset	Intel QM97
Memory	2 x DDR3L-1600MHz, SO-DIMM, up to 16GB (non-ECC)

Video

Graphic Controller	Intel® HD Graphics 6000
Video Memory	DVMT
Video Interface	1 x HDMI type A connector 1 x DVI-D connector

Storage

SATA	1 x SATA III port with power connector
SSD	1 x M.2 SSD
Disk Bay	1 x swappable 2.5" SSD bay with Anti-vibration / Anti-shock solution

Communication

Ethernet	2 x Intel GbE chip via RJ-45 connector (Intel i210IT)
USB	2 x USB 3.0, 2 x USB 2.0
Serial Port	2 x RS232 (2 x DB9) 1 x RS422/RS485 (Select by GPIO)

I/O

Expansion Slot	mini PCIe Socket supported for WiFi+BT.
GPIO	8-bit GPIO (4 In, 4 Out)
Antenna Hole	1 x SMA for GPS, 1 x SMA for 4G LTE, 2 x SMA for WiFi, 1 x SMA for Bluetooth
SIM	SIM Slot x 1, SIM card changeable without opening case
Security	Support i-Button for driver ID
CAN Bus	Support CAN 2.0A/2.0B protocol

Software

OS Support	Windows 7, Windows 8.1, Fedora 21, Ubuntu 15.04
------------	---

Others Feature

Audio	Audio Codec (Line-out & MIC)
Hardware Monitor	CPU voltage and temperature
WatchDog Timer	0~255 sec. software programmable
Indicator	Power / HDD/ Status LED

Power Requirement

Power Input	9~32 V (+/-5%) single voltage input, 3 poles terminal block
-------------	--

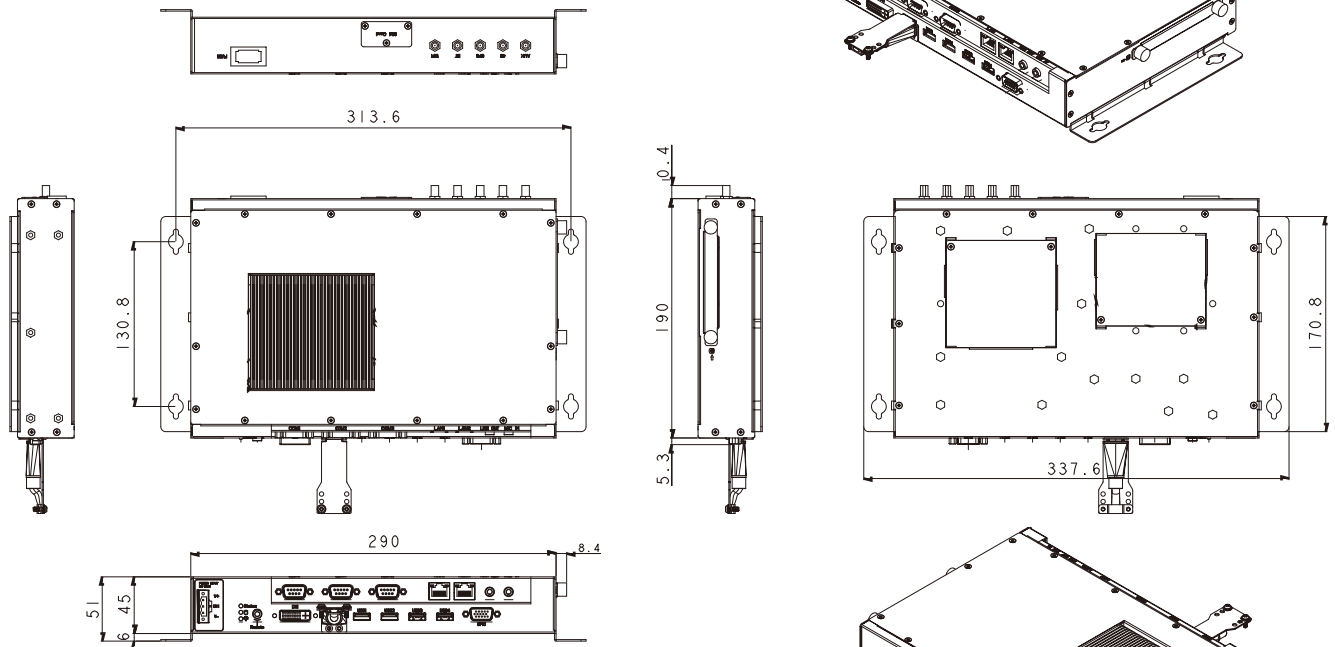
Mechanical & Environment

Thermal Design	Fanless
Chassis Material	Metal SPGC (Black printing color)+ Aluminum heatsink
Vibration	IEC 60068-2-64, 5~500Hz, 3GRMS(CF/SSD), Operating with SSD
Shock	IEC 60068-2-27, 50G 500m/s ² 11MS, Operating with SSD
Dimension	290mm x 190mm x 45mm
Weight	4 kg
Operating Temp.	0~60°C
Storage temp.	-40~80°C
Relative Humidity	0~90% @ 40°C, non-condensing
Safety	CE, FCC class B, E-Mark

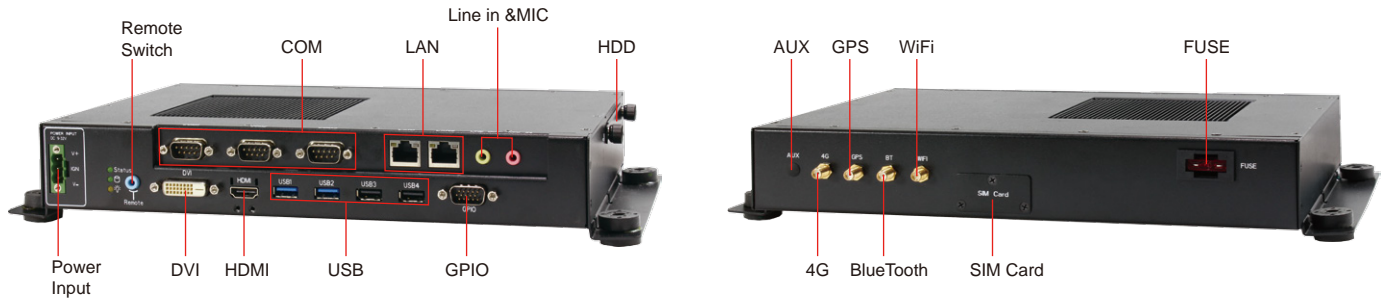
Smart In-Vehicle Power Management

O/S Anti-Crash	Smart O/S boot/shut-down control by power subsystem
System boot / Shut-down delay	Delay time from 0 seconds to 60 minutes setting in BIOS
Power on/off switches	<ul style="list-style-type: none"> • System power switch by remote cable switch • System power input serial connection to car battery and ignition switch
Car battery protection	Low battery voltage monitoring and configurable auto shutdown low battery voltage level

Dimension



I/O Connectors



Packing List

- 1 x AIV-QM97V1FL
- 1 x User Guide & System Driver CD
- 1 x Screw pack(2.5" HDD bracket: 4pcs)
- 1 x Terminal block female 3pin
- 1 x Spare Fuse 10A
- 1 x GPIO/CAN/Driver ID DB15 Cable
- 1 x Remote Switch Cable
- HDMI locking bracket

Ordering Information

AIV-QM97V1FLCi3 AIV-QM97V1FLCi3 with Intel Core i3 5010U

AIV-QM97V1FLCi5 AIV-QM97V1FLCi5 with Intel Core i5 5350U

AIV-QM97V1FLCi7 AIV-QM97V1FLCi7 with Intel Core i7 5650U

Optional Modules

Sierra EM7430 / EM7455 4G LTE & GPS module

Sparklan 251N(BT) 802.11 WiFi+BT module

Transcend TS128GMTS800 /M.2 TYPE 2280-D2-B-M / SATA SSD / 128GB

AR-DP071VW

7-Inch (16:9) Monitor with VGA, USB Touch Screen



Features

- 7-Inch (16:9) Wide Screen
- LED Backlight with Low Power Consumption
- Resistive Touch Screen
- VESA75 Mounting and Stand
- DC 12~24V Power Input



CE FCC E13

Specification

Panel

Panel Size	7-Inch Screen (16:9)
Resolution	Supports 640 x 480 ~ 1920 x 1080 pixels
Luminance (cd/m2)	400 nits
View Angle (H/V)	H:140 / V:120
Backlight Lifetime	20,000 hours
Touch Screen Type	4-wire Resistive

I/O

Video Interface	1 x VGA
USB	1 x USB for Touch Screen
Audio	1 x Audio Input Jack

Power Requirement

Power Input	DC 12~24V, with Adapter
-------------	-------------------------

Software

TouchKit Driver Support	Windows vista / 9X / Me / NT4.0 / 2000 / XP / E.NET / CE 2.12/3.0, Embedded/ Dos, Mac OS 9X / OS X(Intel CPU) Linux Readme / Mandrake / Red Hat / Fedora Core / SuSE / Debian / (K)Ubuntu / Yellow Dog
-------------------------	--

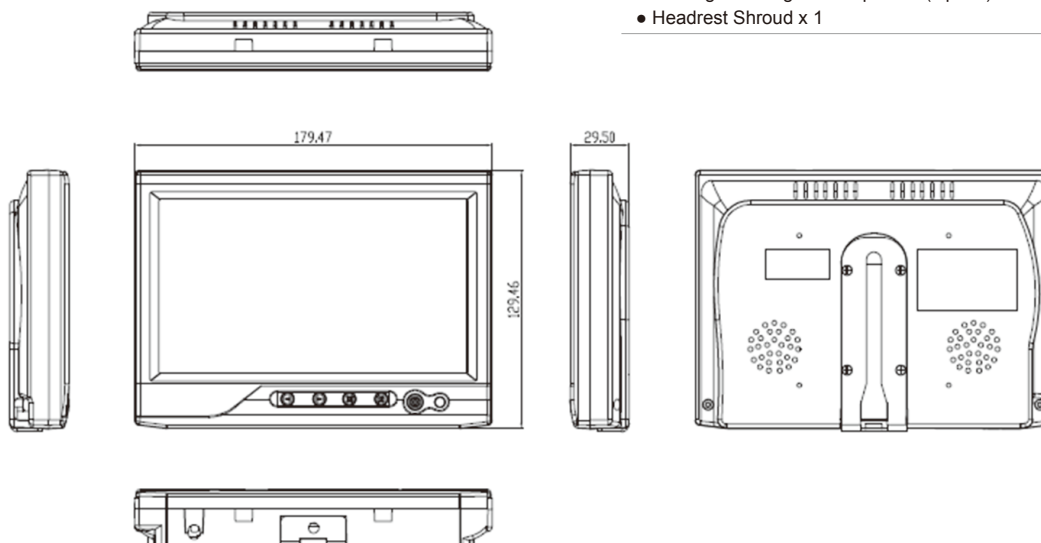
Mechanical & Environment

Chassis Material	Plastic
Dimension (W x H x D)	179.43mm x 129.43mm x 29.5mm
Mounting	VESA75 mount
Operating Temp.	-30~85°C (-22~185°F)
Storage temp.	-30~85°C (-22~185°F)
Safety	CE, FCC, E13, RoHS

Packing List

- User Manual x 1
- Metal Stand x 1
- All-in-One Cable x 1
- Remote Controller x 1
- Touch Driver CD x 1
- Touch Stylus Pen x 1
- AC/DC switching Power Supply x 1
- Car Cigarette Lighter Adapter x 1(Option)
- Headrest Shroud x 1

Dimension



AR-DP080V

8-Inch(4:3) Display Monitor with VGA, USB Touch Screen



Features

- 8-Inch(4:3) Wide Screen
- LED Backlight with Low Power Consumption
- Resistive Touch Screen
- VESA75 Mounting and Stand
- DC 12~24V Power Input



Specification

Panel

Panel Size	8-Inch Screen (4:3)
Resolution	Supports from 640 x 480~1600 x 1024 pixels
Luminance (cd/m2)	400 nits
View Angle (H/V)	H:110 / V:50
Backlight Lifetime	20,000 hours
Touch Screen Type	4-wire resistive

I/O

Video Interface	1 x VGA
USB	1 x USB for Touch Screen
Audio	1 x 3.5mm stereo Jack

Power Requirement

Power Input	DC 12V
Power Consumption	10W

Software

TouchKit Driver Support

Windows: Vista, 9X, Me, NT4.0, 2000, XP, CE.net, CE 2.12, CE 3.0, Embedded, Dos.
Mac: Mac OS 9X, OS X (Intel CPU).
Linux: Linux Readme, Mandrake, Red Hat, Fedora Core, SuSE, Debian, Ubuntu, Yellow Dog

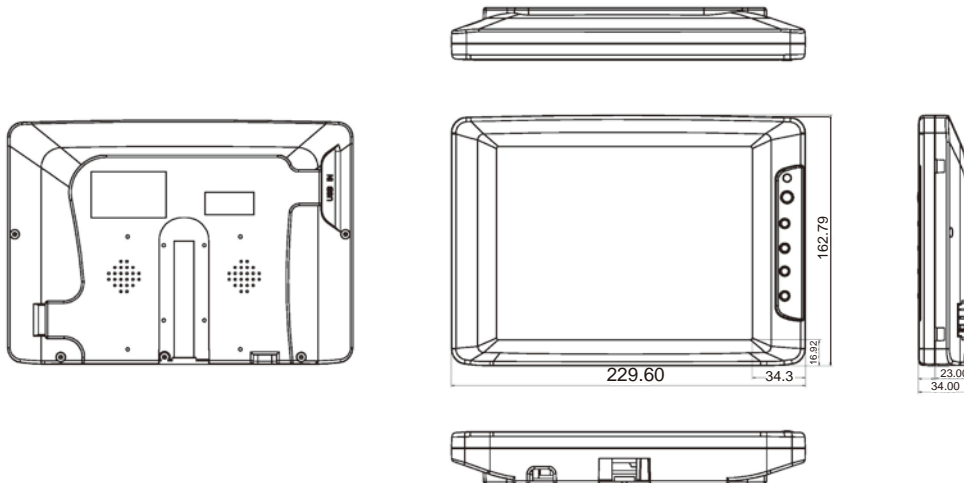
Mechanical & Environment

Chassis Material	Plastic
Dimension (W x H x D)	229.6mm x 162.8mm x 33.9mm
Mounting	VESA 75, Metal Stand
Operating Temp.	-10~60°C
Storage temp.	-30~70°C
Safety	CE, E-Mark, FCC

Packing List

- User Manual x 1
- Metal Stand x 1
- All-in-One Cable x 1 (VGA / USB / DC Jack / Audio)
- Remote Controller x 1
- Touch Driver CD x 1
- Touch Stylus x 1
- Car Cigarette Lighter Adapter x 1(Option)
- AC Switching Power Supply x 1

Dimension



AR-DP080VW

8-Inch(16:9) Display Monitor with VGA, USB Touch Screen



Features

- 8-Inch(16:9) Wide Screen
- CCFT Backlight
- Resistive Touch Screen
- VESA75 Mounting and Stand
- DC 12V Power Input



Specification

Panel

Panel Size	8-Inch Wide Screen (16:9)
Resolution	Supports from 640 x 480 ~ 1600 x 1024 pixels
Luminance (cd/m2)	500 nits
View Angle (H/V)	H:120 / V:100
Backlight Lifetime	20,000 hours
Touch Screen Type	4-wire Resistive

I/O

Video Interface	1 x VGA
USB	1 x USB for Touch Screen
Audio	1 x 3.5mm stereo Jack

Power Requirement

Power Input	DC 12V
Power Consumption	7.2W

Software

TouchKit Driver Support

Windows: Vista, 9X, Me, NT4.0, 2000, XP, CE.net, CE 2.12, CE 3.0, Embedded, Dos.
Mac: Mac OS 9X, OS X (Intel CPU).
Linux: Linux Readme, Mandrake, Red Hat, Fedora Core, SuSE, Debian, Ubuntu, Yellow Dog

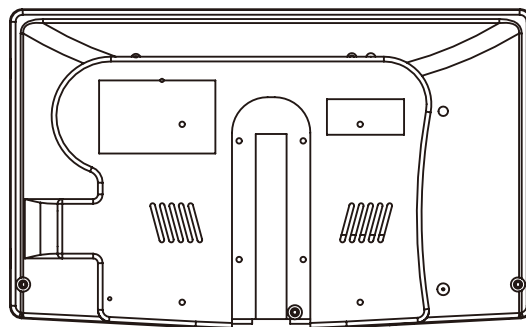
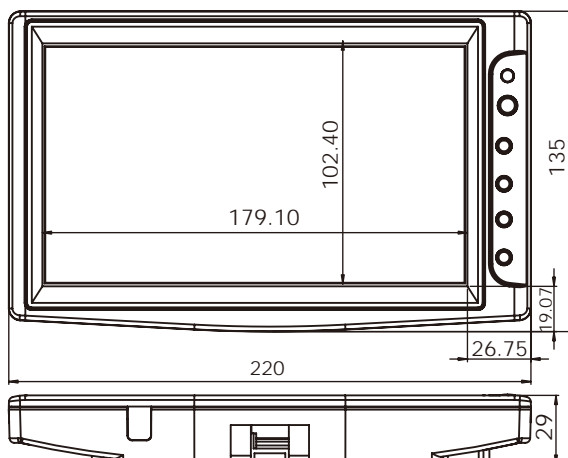
Mechanical & Environment

Chassis Material	Plastic
Dimension (W x H x D)	220mm x 135mm x 29 mm
Mounting	VESA 75, Metal Stand
Operating Temp.	0~70°C
Storage temp.	-20~70°C
Safety	CE, E-Mark, FCC

Packing List

- User Manual x 1
- Metal Stand x 1
- All-in-One Cable x 1 (VGA / USB / DC Jack / Audio)
- Remote Controller x 1
- Touch Driver CD x 1
- Touch Stylus x 1
- Car Cigarette Lighter Adapter x 1(Option)
- AC Switching Power Supply x 1

Dimension



AR-DP100V/VD

10.4-Inch(4:3) Display Monitor with VGA, Touch Screen



Features

- 10.4-Inch TFT LCD
- LED Backlight with Low Power Consumption
- Resistive Touch Screen
- VESA75 Mounting and Stand
- DC12-24V Power Input



CE FCC

Specification

Panel

Panel Size	10.4-Inch Screen (4:3)
Resolution	800 x 600
Luminance (cd/m ²)	300 nits
Backlight Lifetime	50,000hrs
Touch Screen Type	4-wire Resistive

I/O

Video Interface	1 x VGA + 1 x DVI (optional)
USB	1 x USB for Touch Screen
Audio	2 x Audio Input Jack

Power Requirement

Power Input	DC 12~24V, with Adapter
-------------	-------------------------

Software

TouchKit Driver Support	Windows vista / 9X / Me / NT4.0 / 2000 / XP / CE.NET/CE 2.12/3.0, Embedded/ DosMac OS 9X / OS X(Intel CPU)Linux Redme / Mandrake / Red Hat / Fedora Core / SuSE / Debian / (K)Ubuntu / Yellow Dog
-------------------------	---

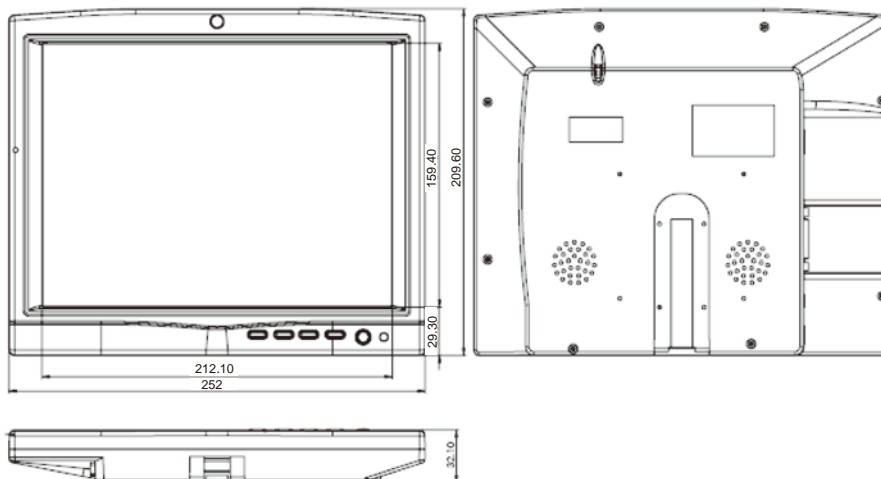
Mechanical & Environment

Chassis Material	Plastic
Dimension (W x H x D)	252mm x 209.6mm x 32.1mm
Mounting	VESA75 mount
Operating Temp.	-10~60°C
Storage temp.	-20~70°C
Safety	CE, FCC

Packing List

- User Manual x 1
- VESA Stand x 1
- All in One Cable x 1
- Remote Controller x 1
- Touch Driver CD x 1
- Touch Stylus Pen x 1
- AC/DC switching Power Supply x 1
- Car Cigarette Lighter Adapter x 1(Option)

Dimension



Gaming Platform

Acrosser All-In-One Gaming Platform(Gaming Computer) integrates the features required for any type of gaming machine, such as Casino Gaming, Lottery System and Pachinko System. These features include Gaming I/O controller, cc-Talk and intrusion logger with Gaming Board / Gaming Embedded PC. From gaming box to our board level products, Acrosser provides sufficient software development kits and experienced engineers to design its gaming products.

With the comply of gaming jurisdiction (e.g. Comma 6a+ and GLI-11), Acrosser's embedded gaming platform is always ready all types of gaming machine and gaming box, anytime, anywhere. We also co-work with gaming OEM/ODM customers, by utilizing the latest Gaming Computer technology, Acrosser always carries out the best gaming solution that reduces not only the owning cost, but also the time-to-market.

All-in-One ACE Gaming Platform

All-in-One ACE Gaming platform/Gaming Board /Gaming Computer with Gaming I/O controller.



Intrusion Detect



Battery Backup



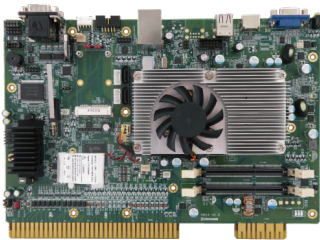
Digital I/O



Watch Dog Timer

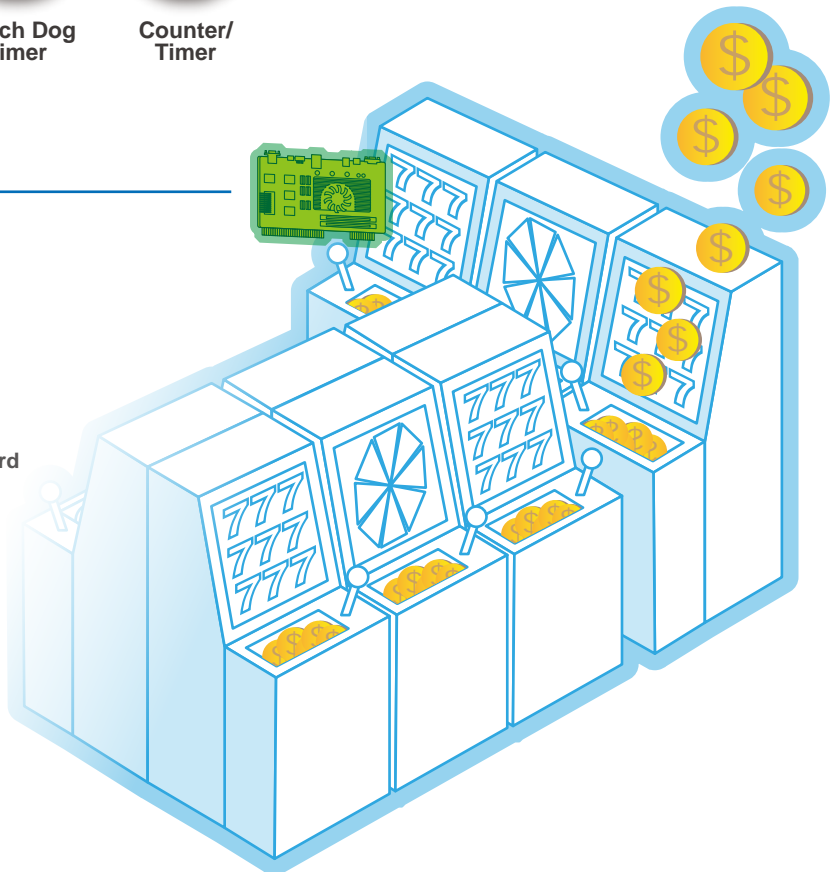


Counter/Timer



AMB-A55EG1

AMD Embedded G-Series T56N all-in-one gaming board



Product Matrix

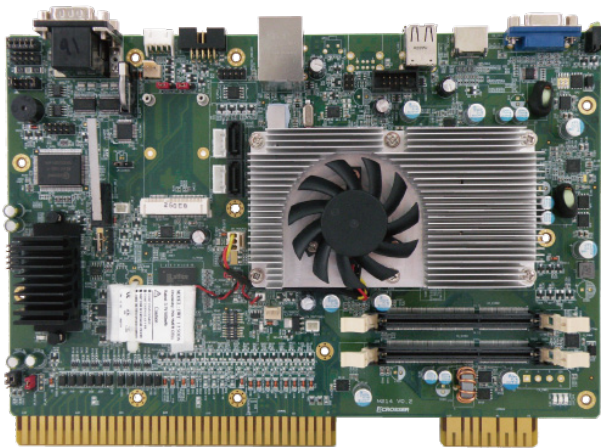
Gaming Platform



Form Factor	Gaming Platform
Model name	AMB-A55EG1
Board	AMB-A55EG1
CPU	AMD Dual Core T56N 1.6GHz
Chipset	AMD Fusion Control Hub A55E
System Memory	2 x DDR3L-1333MHz, SO-DIMM, up to 8GB
Graphic Controller	Integrated Radeon HD 6320 Open GL 4.0, Direct X11
Display Interface	1 x VGA & 1 x HDMI
Expansion Slot (PCI-E x16)	N/A
USB	4 x USB 2.0 port, 2 x USB 2.0 pin header
Ethernet	1 x GbE
Audio	5.1 channel audio without amplifier
I/O Connector	Golden fingers
I/O Definition	Proprietary
Serial Port	1 x RS232 with DB9 connector 1 x RS232/422/485 DB9 connector 1 x 4-pin ccTalk connector 1 x 10-pin ccTalk connector
Digital I/O	Follow golden fingers definition
Readable DIP switch	N/A
GPIO (TTL level)	N/A
Battery Backup SRAM	256KB (Max 1MB)
EEPROM	N/A
Jurisdiction Chip	N/A
Intrusion Logger	Yes
Secure Real Time Clock	N/A
Smart card reader	N/A
Reel Mechanism control	N/A
Hardware Random Number Generator (RNG)	N/A
Page	18

AMB-A55EG1

AMD Embedded G-Series T56N all-in-one gaming board with 2 x COM, 6 x USB, 1 x LAN, 2 x ccTalk, golden fingers for 17 protected input & 16 output, battery backup SRAM, 2 x Intrusion Detection.



Features

GAMB-A55EG1 provides great computing and graphic performance which is suitable for casino gaming and amusement applications. It is designed to comply with the most of gaming regulations such as GLI & BMM.



Specification

Specification

CPU	AMD G-Series Dual Core T56N 1.65GHz processor
Chipset	AMD Fusion Control Hub A55E
Memory	2 x DDR3L-1333MHz, SO-DIMM, up to 8GB

Video

Graphic Controller	Integrated Radeon HD 6320 supports OpenGL 4.0, DirectX 11
Video Memory	shared memory
Video Interface	<ul style="list-style-type: none"> 1 x VGA DB15 connector 1 x HDMI connector

Storage

SATA	2 x SATA II port with SATA II power connector
mSATA	1 x mSATA connector

Communication

Ethernet	1 x GbE LAN Port
USB	4 x USB 2.0 connector & 2 x USB 2.0 pin header
Serial Port	<ul style="list-style-type: none"> 1 x RS232 with DB9 connectors 1 x RS232/422/485 DB9 connector 1 x 4-pin cc-Talk 1 x 10-pin cc-Talk

Audio

Output	5.1 channel audio without amplifier (pin header)
Amplifier	6W audio amplifier (golden finger)

Gaming I/O

Digital Input	Follow golden fingers definition <ul style="list-style-type: none"> 14 x Button 2 x Coin 1 x Hopper
Digital Output	Follow golden fingers definition <ul style="list-style-type: none"> 10 x Lamp 5 x Meter 1 x Hopper
Intrusion Detection	<ul style="list-style-type: none"> 1 x onboard door switch 1 x pin header
SRAM	battery backup 256KB SRAM (max 1MB)

Other Feature

Hardware Monitoring	CPU voltage and temperature
WatchDog Timer	Software programmable 1~255 sec.

Power Requirement

Power Input	<ul style="list-style-type: none"> 5V (4.35A~5.8A) 12V (3.3A~4.4A)
Power Consumption	43W

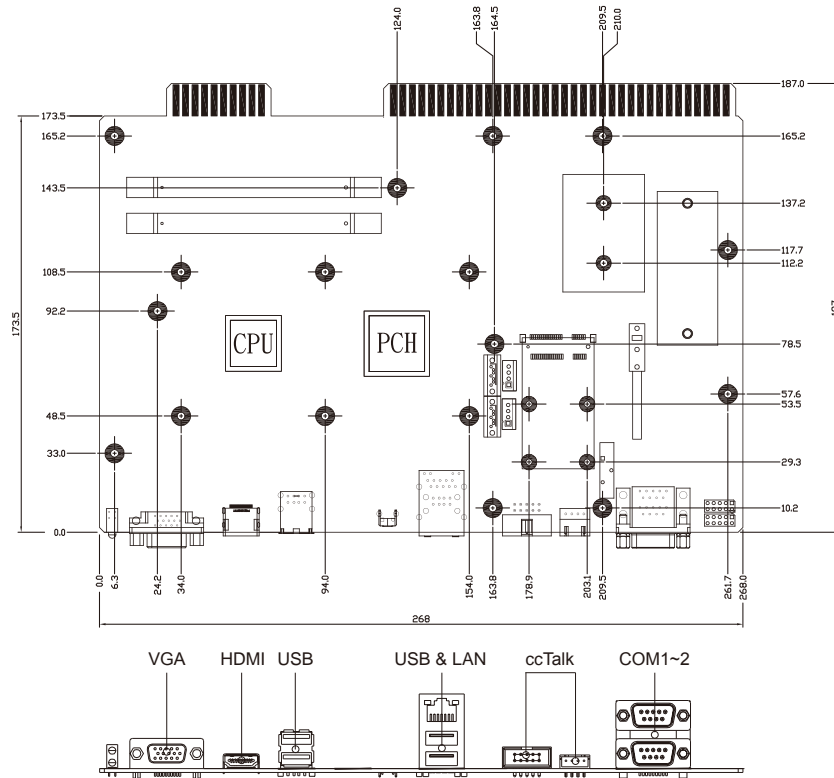
Software

OS Support	Windows XP, Fedora 14, Ubuntu 10
Software Development Kit	<ul style="list-style-type: none"> Device Driver Application Program Interface (API) Demo Program

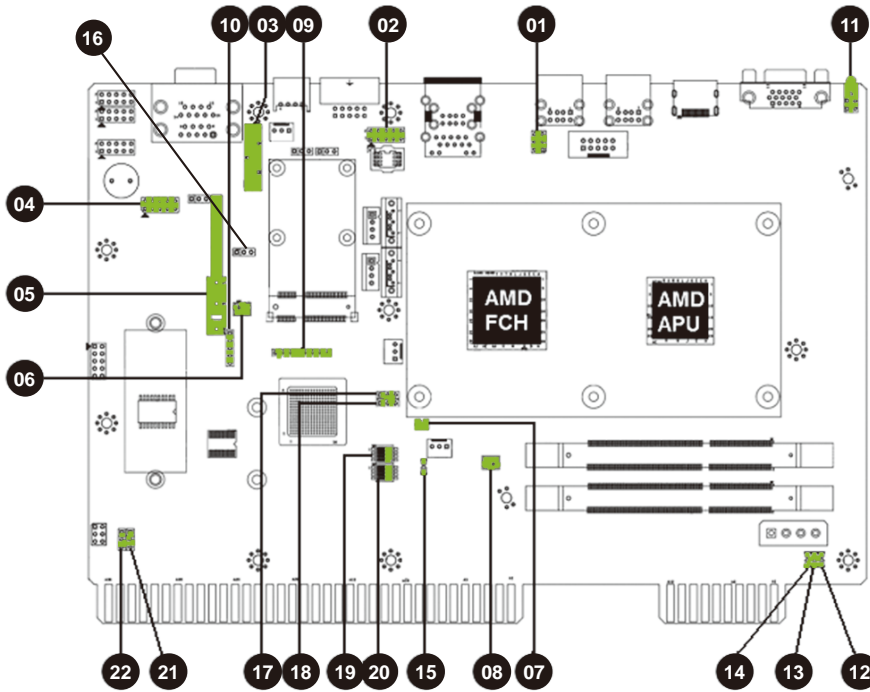
Mechanical & Environment

Thermal Design	FAN
Dimension	187 mm x 268 mm
Weight	1 KG
Operating Temp.	0~60°C (32~140°F)
Storage temp.	-40~80°C (-4~176°F)
Relative Humidity	0~90% @ 40°C, non-condensing
Safety	CE, FCC compliant

Dimension



I/O Connectors



01. Reset Button connector
02. SPI Interface connector
03. CR2032 Battery socket
04. LPC Interface connector
05. Case open Log switch
06. External Log input connector
07. 3.7V 500mAh Re-chargeable battery connector
08. iButton signal connector
09. FPGA firmware recoded Header
10. PIC firmware recoded Header
11. System status indicated
12. 5V Power IN LED
13. 24V Power IN LED
14. 12V Power IN LED
15. Battery charging LED
ON: Battery charging
16. Clear CMOS
17. SRAM1 data clear
18. SRAM1 data clear
19. METER OUT setting 1
20. METER OUT setting 2 & HOPPER SSR setting
21. (Reserved)
22. Edge connector GPO pins Clamping voltage setting

Packing List

- 1 x AMB-A55EG1
- 1 x System Driver CD
- 1 x Quick User Guide

Ordering Information

AMB-A55EG1

AMD Embedded G-Series T56N all-in-one gaming board with 2 x COM, 6 x USB, 1 x LAN, 2 x cctalk, golden fingers for 17 protected input & 16 output, battery backup SRAM, 2 x Intrusion Detection (Door Switch), iButton and Security.

IoT / Network Appliance

Acrosser manufactures network appliances for your UTM and Next Generation Firewall (NGFW). Under the x86 based structure, the network appliance can perform applications from firewall, VPN, gateway security, VOIP, SD-WAN to bandwidth management and intrusion detection.

Acrosser provides high quality network server hardware/ network appliance for network security applications. Currently Acrosser supply customers with 2 main network products: 2U/1U Rackmount , Micro Box. These high quality network server hardware and network appliances are ideal for network security and network communication applications. All products feature the best scalability and manageability for most IoT business applications in today's AIoT environment.

NGFW Platform

The Essential Features of Next-Generation Firewalls



Intrusion Prevention



Anti-Spam



Firewall



Anti-Virus



VPN



Web Filtering



VOIP

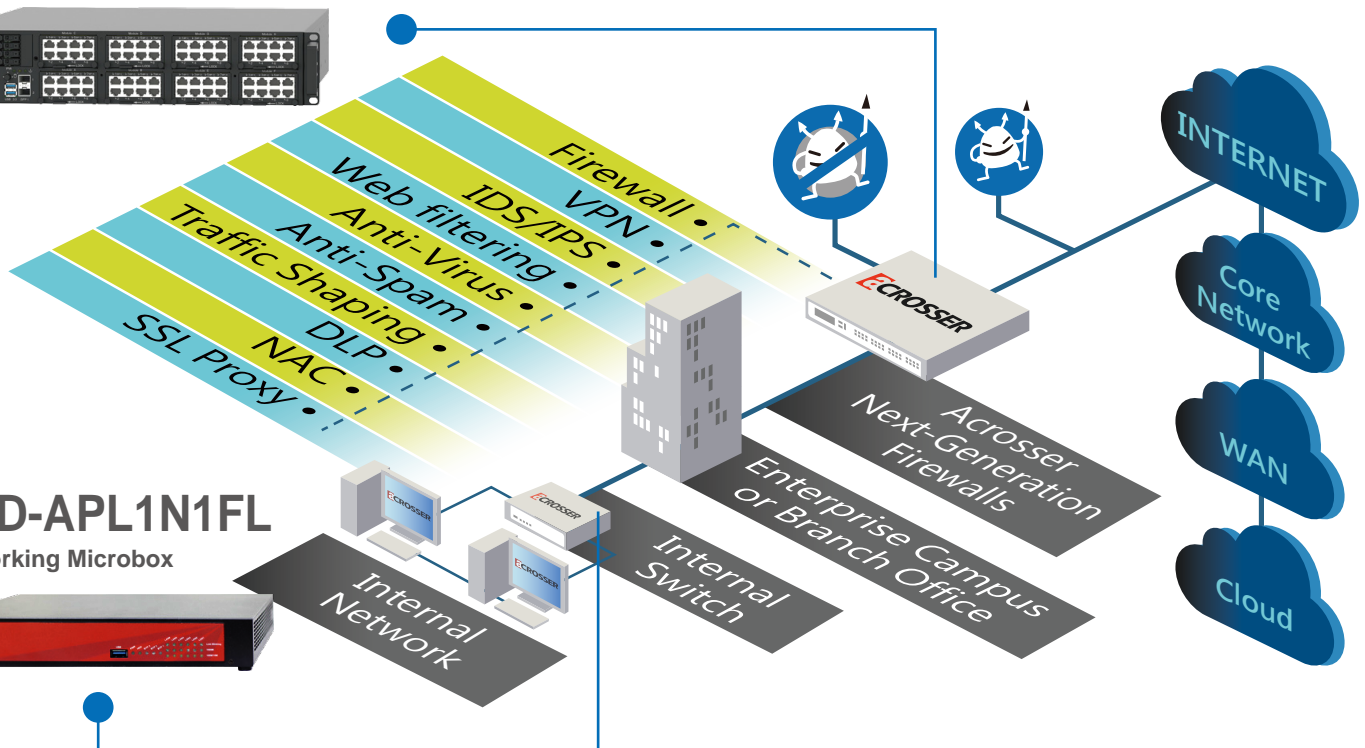
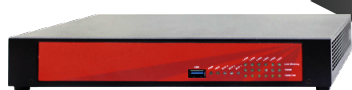
ANR-C627N1- series

Networking 2U Rackmount



AND-APL1N1FL

Networking Microbox



Product Matrix

IoT / Network Appliance



Form Factor		2U Rackmount	
Model Name		ANR-C627/622N1	ANR-C627/622N1U
System	CPU type	2 x Intel® Xeon® Scalable Processors	2 x Intel® Xeon® Scalable Processors
Chipset	Chipset	Intel® PCH C627/C622	Intel® PCH C627/C622
Memory	Technology	24 x RDIMM/LRDIMM DDR4-2666/2400	24 x RDIMM/LRDIMM DDR4-2666/2400
	Maximum support	768GB (RDIMM) / 1536GB (LRDIMM)	768GB (RDIMM) / 1536GB (LRDIMM)
Ethernet	SFP+ 10G Fiber	2	2
	RJ45 GbE	-	-
	Bypass	-	-
Expansion	PCIe	1	1
	Mini PCIe	-	-
	Networking Module	8 x Exp. NIM (1G/10G/40G, Fiber / Copper / Bypass)	8 x Exp. NIM (1G/10G/40G, Fiber / Copper / Bypass)
LCM	LCM	Graphic LCM	Graphic LCM
Storage	HDD	4 x 2.5" SATA-III Hot-swappable (S/W RAID 0/1/5/10)	2 x U.2 NVMe Hot-swappable (S/W RAID 0/1)
	CF / CFast / mSATA	CFast & mSATA	CFast & mSATA
I/O	Console	RJ45 & micro-USB	RJ45 & micro-USB
	Video out	VGA	VGA
	USB	2 x USB 3.0 (front-side), 2 x USB 2.0 (rear-side)	2 x USB 3.0 (front-side), 2 x USB 2.0 (rear-side)
Dimension		440mm x 670mm x 89mm	440mm x 670mm x 89mm
Thermal		PWM Smart Cooling Fan	PWM Smart Cooling Fan
Reference page		26	28

IoT / Network Appliance



Form Factor		1U Rackmount	
Model Name		ANR-C236N1 series	ANR-EP3KN1 series
System	CPU type	Intel® Xeon® E3-1275v6 Intel® 7th Gen. KabyLake-S Core i7 / i5 / i3	AMD Snowy Owl EPYC™ 3000 SoC
Chipset	Chipset	Intel® PCH C236	AMD Snowy EPYC™ 3000 SoC
Memory	Technology	4 x UDIMM DDR4-2400, ECC/non-ECC	8/4 x UDIMM DDR4-2666/2400
	Maximum support	64GB	128GB
Ethernet	SFP+ 10G Fiber	2/0	2/0
	RJ45 GbE	12/8	-
	Bypass	4/2	-
Expansion	PCIe	1	1
	Mini PCIe	-	-
	Networking Module	1 x Exp. NIM (1G/10G/40G, Fiber / Copper / Bypass)	4/3 x Exp. NIM (1G/10G/40G, Fiber / Copper / Bypass)
LCM	LCM	16 x 2 characters LCD module with 4 buttons	16 x 2 characters LCD module with 4 buttons
Storage	HDD	2 x 2.5" SATA III Hot-swappable (S/W RAID 0/1)	4/2 x 2.5"/3.5" SATA-III
	CF / CFast / mSATA	1 x CFast & 1 x mSATA	1 x CF / CFast (for Optional)
I/O	Console	RJ45	RJ45
	Video out	HDMI	VGA
	USB	2 x USB 3.0 (front-side), 2 x USB 2.0 (rear-side)	2 x USB 3.0
Dimension		440mm x 500mm x 44mm	440mm x 550mm x 44mm
Thermal		PWM Smart Cooling Fan	Smart Cooling Fan
Reference page		30	32

Product Matrix

IoT / Network Appliance



Form Factor		1U Rackmount	
Model Name		ANR-DNV3N1	ANR-APL1N1FL
System	CPU type	Intel® Atom® C3958 Processor / Intel® Atom® C3858 Processor Intel® Atom® C3758 Processor / Intel® Atom® C3558 Processor	Intel® Apollo Lake SoC J-series/N-series/E-series
Chipset	Chipset	Intel® Denverton SoC	Intel® Apollo Lake SoC
Memory	Technology	4 x ECCDIMM DDR4-2400	1 x SO-DIMM DDR3L-1866
	Maximum support	-	8GB
Ethernet	SFP / SFP+ GbE	1/2	-
	RJ45 GbE	9	6
	Bypass	2	3
Expansion	PCI-E	1(C3758 or above)	1
	PCI	-	-
	Mini PCI	-	-
LCM	LCM	16 x 2 characters LCD module with 4 buttons	16 x 2 characters LCM with 4-key button
Storage	HDD	4 x 2.5" SATA III (Hot-swappable)	1 x 2.5" SATA III
	CF / CFast / mSATA	1 x CFast socket	1 x CF Card / CFast (for Optional)
I/O	Console	RJ45 / mUSB	RJ45
	Video out	VGA	-
	USB	2 x USB 3.0	2 x USB 3.0
Dimension		440mm x 380mm x 44mm	440mm x 266mm x 44mm
Thermal		Smart Cooling Fan	Fanless
Reference page		34	36

IoT / Network Appliance



Form Factor		1U Rackmount	
Model Name		ANR-IB75N2/A/B	ANR-J190/J180N2-C612
System	CPU type	Intel® 3rd Gen. Core i7/i5/i3 & Pentium	Intel® Bay Trail J1900 SoC, 4-core @2.0GHz. Intel® Bay Trail J1800 SoC, 2-core @2.4GHz
Chipset	Chipset	Intel® PCH B75	-
Memory	Technology	2 x UDIMM DDR3L-1600	1 x SO-DIMM DDR3L-1600
	Maximum support	16GB	8GB
Ethernet	SFP GbE	0/2/4	-
	RJ45 GbE	8/8/8	6
	Bypass	2/2/2	2
Expansion	PCI-E	-	1
	PCI	-	-
	Mini PCI	-	-
LCM	LCM	16 x 2 characters LCD module with 4 buttons	-
Storage	HDD	2 x 2.5" SATA III	1 x 2.5" SATA II
	CF / CFast / mSATA	CF	CF
I/O	Console	RJ45	RJ45
	Video out	VGA	VGA
	USB	2 x USB 2.0	2 x USB 2.0
Dimension		440mm x 371.5mm x 44mm	440mm x 250mm x 45mm
Thermal		Cooling Fan	Cooling Fan
Reference page		38	40

Product Matrix

IoT / Network Appliance



Form Factor		Desktop	Microbox
Model Name		AND-DNV3N1 series	AND-DNV3N2FL series
System	CPU type	Intel® Denverton C3000, C3338, C3558, C3758 Platform	Intel® Atom® C3558 Processor (4 core)
Chipset	Chipset	Intel® Denverton SoC	Intel® Denverton SoC
Memory	Technology	2 x UDIMM DDR4-2400	2 x SO-DIMM DDR4-2400
	Maximum support	-	-
Ethernet	SFP GbE	2(C3558, C3758)	2/0
	RJ45 GbE	10	6/4
	Bypass	-	-
Expansion	PCIe	-	-
	Mini PCIe	2	2
	Networking Module	-	-
LCM	LCM	-	-
Storage	HDD	2 x 2.5" SATA-III	1 x 2.5" SATA-III
	CF / CFAST / mSATA	1 x CFAST socket	-
I/O	Console	RJ45 / mUSB	RJ45
	Video out	VGA	-
	USB	2 x USB 3.0 (rear-side)	2x USB 3.0 (rear-side)
Dimension		300mm x 44mm x 215mm	230mm x 44mm x 105mm
Thermal		Fanless	Fanless
Reference page		42	44

IoT / Network Appliance



Form Factor		Microbox	Microbox
Model Name		AND-APL1N1FL series	AND-J190/J180N2-C612
System	CPU type	Intel® Apollo Lake SoC J-series/N-series/E-series	Intel® Bay Trail J1900 SoC, 4-core @2.0GHz. Intel® Bay Trail J1800 SoC, 2-core @2.4GHz
Chipset	Chipset	-	-
Memory	Technology	1 x SO-DIMM DDR3L-1866	1 x SO-DIMM DDR3L-1600
	Maximum support	8GB	8GB
Ethernet	SFP GbE	-	-
	RJ45 GbE	6	6
	Bypass	3	2
Expansion	PCIe	-	-
	Mini PCIe	1	1
	Networking Module	-	-
LCM	LCM	-	-
Storage	HDD	1 x 2.5" SATA-III	1 x 2.5" SATA-III
	CF / CFAST / mSATA	CF / CFAST (for Optional)	CF
I/O	Console	RJ45	RJ45
	Video out	VGA	VGA
	USB	3 x USB 3.0 (front-side)	1 x USB 3.0 (front-side), 2 x USB 2.0 (rear-side)
Dimension		280mm x 209mm x 44mm	235mm x 152mm x 44.5mm
Thermal		Fanless	Cooling Fan
Reference page		46	48

Product Matrix

IoT / Network Appliance



Form Factor		Microbox	
Model Name		AND-G420N1	AES-APL1E2FL
System	CPU type	AMD G-Series GX-420MC Quad-core, clock speed 2.00GHz	Intel Apollo Lake N4200,Pentium 4-core @2.5GHz SoC
Chipset	Chipset	-	Intel Apollo Lake N4200
Memory	Technology	2 x SO-DIMM DDR3L-1600	1 x DDR3L-1866 SO-DIMM
	Maximum support	16GB	-
Ethernet	SFP GbE	-	-
	RJ45 GbE	6	2
	Bypass	2	-
Expansion	PCIe	-	-
	Mini PCIe	1	1
	Networking Module	-	-
Storage	HDD	1 x 2.5" SATA-II	1 x 2.5" SATA-III
	CF / CFast / mSATA	CF	CF
I/O	Console	RJ45	RJ45
	Video out	-	-
	USB	2 x USB 3.0,	1 x USB 3.0,
	Dimension	242mm x 149.5mm x 44mm	148mm x 38mm x 108mm
Thermal		Cooling Fan	Fanless
Reference page		50	52

Network Computing

(VPN, UTM,uCPE and SD-WAN solutions.)

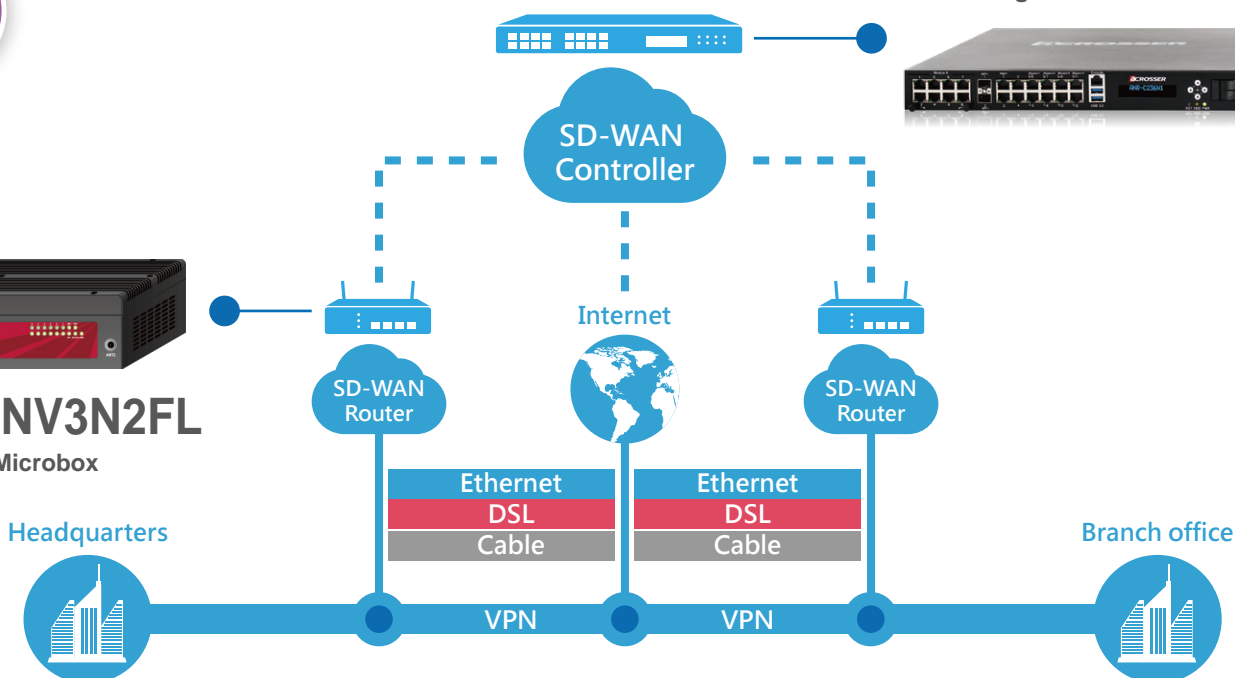


SD-WAN

ANR-C236N1- series Networking 1U Rackmount



AND-DNV3N2FL Networking Microbox



Exp. NIM

ACC-NM1Z1-01C8B

1G Copper x8 (RJ-45 w/4-pair Bypass)



ACC-NM1Z1-01C8

1G Copper x8 (RJ-45)



ACC-NM1Z1-01F8

1G Fiber x8(SFP)



ACC-NM1Z1-01H8B

1G Hybrid x8 (RJ-45, Bypass + SFP x4)



ACC-NM1Z1-01H8

1G Hybrid x8 (RJ-45 x4 + SFP x4)



ACC-NM1Z1-10F2

10G Fiber x2 (SFP+)



ACC-NM1Z1-10F4

10G Fiber x4 (SFP+)



ACC-NM1Z1-40F1

40G Fiber x1 (QSFP+)



ACC-NM1Z1-40F2

40G Fiber x2 (QSFP+)



ACC-NM1Z1-01C4B

1G Copper x4 (RJ-45 w/ 2-pair Bypass)



ACC-NM1Z1-01C4

1G Copper x4 (RJ-45)



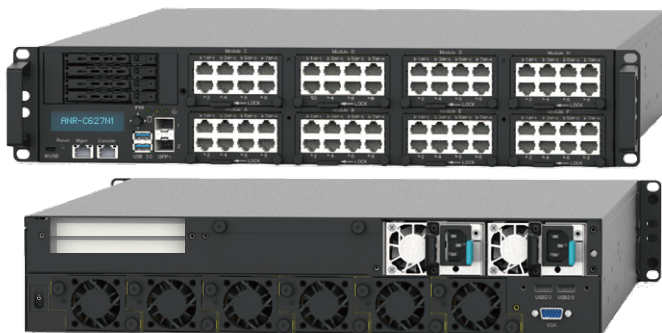
ACC-NM1Z1-01F4

1G Fiber x4 (SFP)



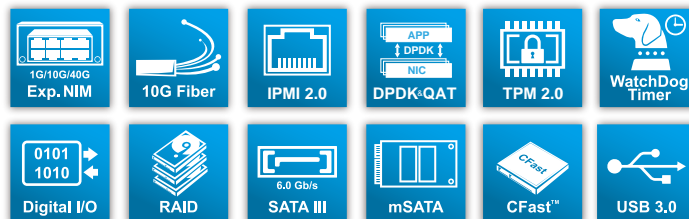
ANR-C627N1 ANR-C622N1

2U Rackmount IoT Gateway/Network Server Intel® PCH C627/C622 + Purley Platform, 8 Exp. NIM, & 1+1 Redundant PSU



Features

- Intel® C627/C622 Platform
- 2 x Intel® Xeon® Scalable Processors
- 24 x RDIMM/LRDIMM DDR4-2666/2400
- 8 x Exp. NIM (1G/10G/25G/40G, Fiber/Copper/LAN Bypass)
- 1 x Management port
- 2 x 10G Fiber (SFP+)
- 4 x 2.5" SATA-III Hot-swappable (RAID 0/1/5/10)
- 1 x mSATA & 1 x CFast
- Hot-swappable smart cooling fan
- 1+1 Redundant Platinum PSU (800W)



Others

Battery	Lithium Battery, 3V 220mAH (CR2032)
Hardware Monitoring	CPU Volt. CPU & SYS Temp. FAN Speeds
Security & Mgmt.	TPM 2.0 (Infineon chipset) IPMI 2.0 (ASPEED AST2500 BMC) Chassis Intrusion Detection
DPDK & QAT	Support DPDK & QAT

Power Requirement

Power Supply Unit	1+1 Redundant Platinum PSU (800W) 100-240VAC
-------------------	--

Software

OS Support	Linux Kernel 4.4 or above, (64-bit)
------------	-------------------------------------

Mechanical & Environment

Dimensions	440 (W) x 89 (H) x 670 (D) mm
Operating Temp.	0~ 40°C (32~104°F)
Storage Temp.	-20~80°C (-4~176°F)
Relative Humidity	0 to 90% @40°C, non-condensing
Certifications	CE, FCC Class A, RoHS 2, cULus

Model Name

ANR-C627N1	2U Rackmount IoT Gateway/Network Server .Intel® PCH C627/C622 + Purley platform .8 x Exp. NIM (1G/10G/25G/40G, Fiber/Copper/LAN Bypass)
ANR-C622N1	.1 x Management port .2 x 10G Fiber (SFP+) .4 x 2.5" SATA-III Hot-swappable (S/W RAID 0/1/5/10) .1+1 Redundant Platinum PSU (800W)

Specification

System

CPU	Intel® Xeon® Scalable Processors Intel® Xeon® Platinum 8168 (24C, 2.7GHz) Intel® Xeon® Gold 6132 (14C, 2.6GHz) Intel® Xeon® Gold 5119T (14C, 1.9GHz) Intel® Xeon® Gold 5115 (10C, 2.4GHz) Intel® Xeon® Silver 4116T (12C, 2.1GHz) Intel® Xeon® Silver 4114T (10C, 2.2GHz)
Chipset	Intel® PCH C627 (QAT:100Gbps) Intel® PCH C622 (QAT:n/a)
Memory	24 x RDIMM/LRDIMM DDR4-2666/2400
BIOS	AMI
WatchDog Timer	Software programmable 0~255 sec.

Video

Video Interface	VGA
-----------------	-----

Ethernet

Chipset	1 x Intel® I210
1G	1 x GbE Copper (RJ-45) via BMC (Mgmt.) via I210 (option)
10G/40G	2 x 10G Fiber (SFP+)
LAN bypass	Support with Exp. NIM

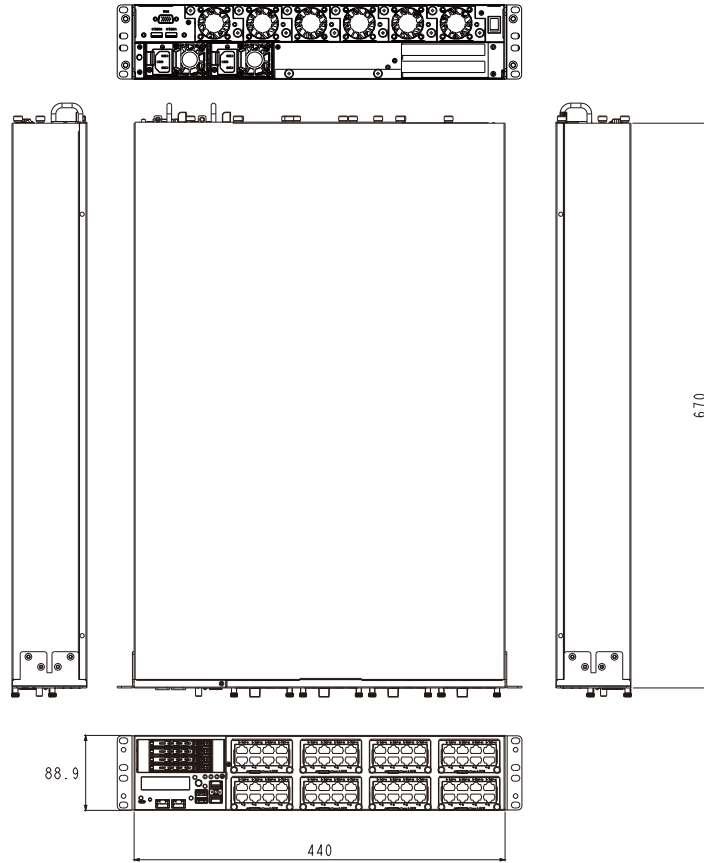
Storage

HDD Bay	4 x 2.5" SATA-III Hot-swappable (S/W RAID 0/1/5/10)
mSATA	1 x mSATA socket
CFast	1 x CFast socket

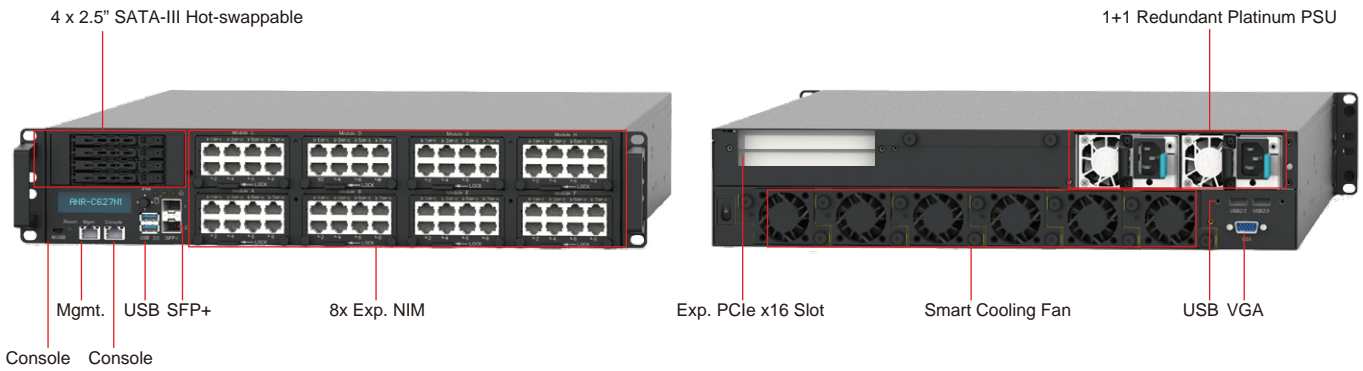
I/O

Console port	1 x Serial console (RJ-45) 1 x USB console (micro-USB)
USB port	2 x USB 3.0 (front-side) 2 x USB 2.0 (rear-side)
LCM	Graphic LCM
GPIO	8-bit GPIO (4-In, 4-Out), on-board pin header
Exp. NIM	8 x Exp. NIM Hot-swappable (1G/10G/25G/40G, Fiber/Copper/LAN Bypass)
Exp. PCIe slot	1 x Exp. PCIe Gen3 x16 slot (FHFL)

Dimensions



I/O Connectors



ANR-C627N1
ANR-C622N1

Packing List

- ANR-C62xN1 system x 1
- SATA cable x 4
- CD utility x 1
- RJ45 console cable (RJ45 <-> DB9) x 1
- USB console cable (Micro-B <-> Type A) x 1
- USA / EU / JPN / UK / AS / NZS / SA / India power cord x 2
- Rack bracket x 1
- Box packing x 1
- Screw pack x 1
- Slide Rail x 1

Ordering Information

ANR-C627N1	2U Rackmount IoT Gateway/Network Server, Intel® PCH C627 + Purley platform, 8x Exp. NIM, 1xMgmt., 2 SFP+, 4 SATA-III, 1+1 Redundant Platinum PSU
ANR-C622N1	2U Rackmount IoT Gateway/Network Server, Intel® PCH C622 + Purley platform, 8x Exp. NIM, 1xMgmt., 2 SFP+, 4 SATA-III, 1+1 Redundant Platinum PSU

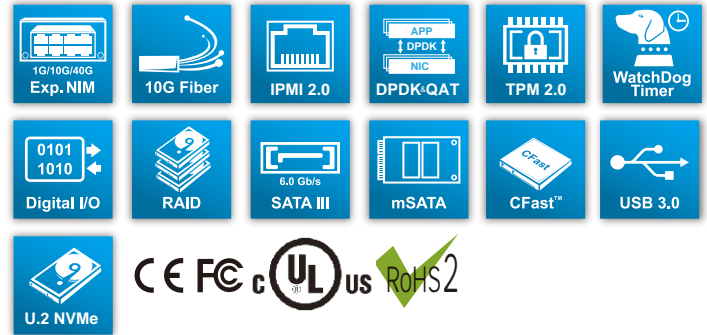
ANR-C627N1U ANR-C622N1U

2U Rackmount IoT Gateway/Network Server Intel® PCH C627/C622 + Purley Platform, 8 Exp. NIM, 1+1 Redundant PSU & U.2 NVMe



Features

- Intel® C627/C622 Platform
- 2 x Intel® Xeon® Scalable Processors
- 24 x RDIMM/LRDIMM DDR4-2666/2400
- 8 x Exp. NIM (1G/10G/25G/40G, Fiber/Copper/LAN Bypass)
- 1 x Management port
- 2 x 10G Fiber (SFP+)
- 2 x U.2 NVMe Hot-swappable (RAID 0/1)
- 1 x mSATA & 1 x CFast
- Hot-swappable smart cooling fan
- 1+1 Redundant Platinum PSU (800W)



Others

Battery	Lithium Battery, 3V 220mAH (CR2032)
Hardware Monitoring	CPU Volt. CPU & SYS Temp. FAN Speeds
Security & Mgmt.	TPM 2.0 (Infineon chipset) IPMI 2.0 (ASPEED AST2500 BMC) Chassis Intrusion Detection
DPDK & QAT	Support DPDK & QAT

Power Requirement

Power Supply Unit	1+1 Redundant Platinum PSU (800W) 100-240VAC
-------------------	--

Software

OS Support	Linux Kernel 4.4 or above, (64-bit)
------------	-------------------------------------

Mechanical & Environment

Dimensions	440 (W) x 89 (H) x 670 (D) mm
Operating Temp.	0~ 40°C (32~104°F)
Storage Temp.	-20~80°C (-4~176°F)
Relative Humidity	0 to 90% @40°C, non-condensing
Certifications	CE, FCC Class A, RoHS 2, cULus

Model Name

	2U Rackmount IoT Gateway/Network Server Intel® PCH C627/C622 + Purley platform .8 x Exp. NIM (1G/10G/25G/40G, Fiber/Copper/LAN Bypass)
ANR-C627N1U	.1 x Management port .2 x 10G Fiber (SFP+)
ANR-C622N1U	.2 x U.2 NVMe Hot-swappable (S/W RAID 0/1) .1+1 Redundant Platinum PSU (800W)

Specification

System

CPU	Intel® Xeon® Scalable Processors Intel® Xeon® Platinum 8168 (24C, 2.7GHz) Intel® Xeon® Gold 6132 (14C, 2.6GHz) Intel® Xeon® Gold 5119T (14C, 1.9GHz) Intel® Xeon® Gold 5115 (10C, 2.4GHz) Intel® Xeon® Silver 4116T (12C, 2.1GHz) Intel® Xeon® Silver 4114T (10C, 2.2GHz)
Chipset	Intel® PCH C627 (QAT:100Gbps) Intel® PCH C622 (QAT:n/a)
Memory	24 x RDIMM/LRDIMM DDR4-2666/2400
BIOS	AMI
WatchDog Timer	Software programmable 0~255 sec.

Video

Video Interface	VGA
-----------------	-----

Ethernet

Chipset	1 x Intel® I210
1G	1 x GbE Copper (RJ-45) via BMC (Mgmt.) via I210 (option)
10G/40G	2 x 10G Fiber (SFP+)
LAN bypass	Support with Exp. NIM

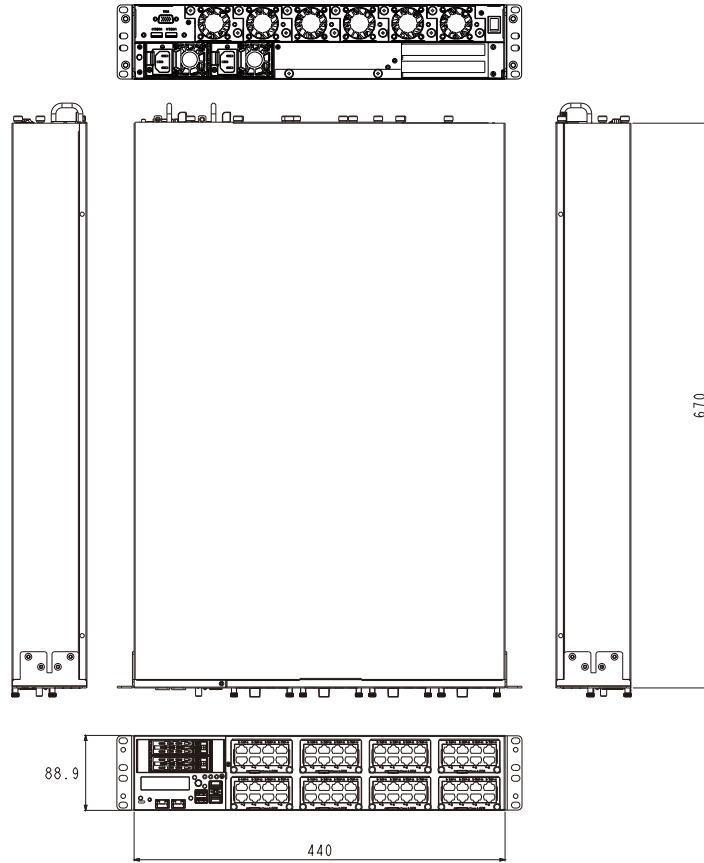
Storage

HDD Bay	2 x U.2 NVMe Hot-swappable (S/W RAID 0/1)
mSATA	1 x mSATA socket
CFast	1 x CFast socket

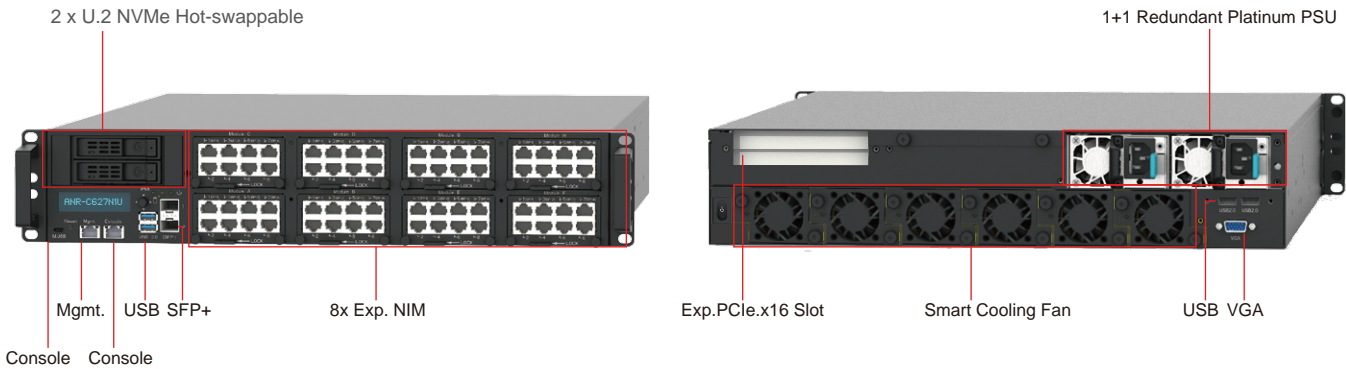
I/O

Console port	1 x Serial console (RJ-45) 1 x USB console (micro-USB)
USB port	2 x USB 3.0 (front-side) 2 x USB 2.0 (rear-side)
LCM	Graphic LCM
GPIO	8-bit GPIO (4-In, 4-Out), on-board pin header
Exp. NIM	8 x Exp. NIM Hot-swappable (1G/10G/25G/40G, Fiber/Copper/LAN Bypass)
Exp. PCIe slot	1 x Exp. PCIe Gen3 x16 slot (FHFL)

Dimensions



I/O Connectors



ANR-C627N1U
ANR-C622N1U

Packing List

- ANR-C62xN1U system x 1
- SATA cable x 2
- SFF-8643 x2
- CD utility x 1
- RJ45 console cable (RJ45 <-> DB9) x 1
- USB console cable (Micro-B <-> Type A) x 1
- USA / EU / JPN / UK / AS / NZS / SA / India power cord x 2
- Rack bracket x 1
- Box packing x 1
- Screw pack x 1
- Slide Rail x 1

Ordering Information

ANR-C627N1U	2U Rackmount IoT Gateway/Network Server, Intel® PCH C627 + Purley platform, 8x Exp. NIM, 1xMgmt., 2 SFP+, 2 U.2 NVMe, 1+1 Redundant Platinum PSU
ANR-C622N1U	2U Rackmount IoT Gateway/Network Server, Intel® PCH C622 + Purley platform, 8x Exp. NIM, 1xMgmt., 2 SFP+, 2 U.2 NVMe, 1+1 Redundant Platinum PSU

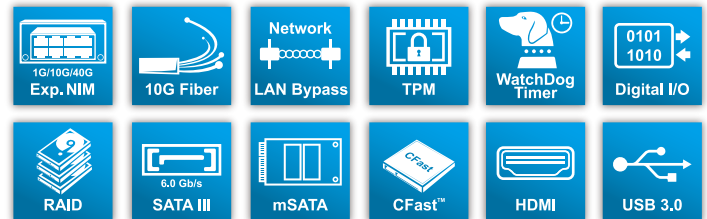
ANR-C236N1- series

Networking 1U Rackmount Intel® PCH C236 + Kabylake Platform, 1 Exp. NIM, 2 SFP+, 12 GbE LANs & 1+1 Redundant PSU



Features

- Intel® C236 Platform
- Intel® Xeon® E3-1275 v6
- Intel® 7th Gen CPU Kabylake-S Core™ i7/i5/i3
- 4 x UDIMM DDR4-2400, ECC/non-ECC, (up to 64GB)
- 1 x Exp. NIM (1G/10G/40G Fiber/Copper/LAN Bypass)
- 2 x SFP+ (10G Fiber)
- 12 x GbE Copper (4-pair bypass) & 1 Mgmt. port
- 2 x 2.5" Hot-swappable (RAID 0/1), 1 x mSATA & 1 x CFast
- 3 x Smart cooling fan
- 1+1 Redundant PSU



Others

Battery	Lithium Battery, 3V 220mAh (CR2032)
Hardware Monitoring	CPU Volt. CPU & SYS Temp. FAN Speeds
Security & Mgmt.	TPM 1.2 (default) / 2.0 (Optional) IPMI 2.0 Compliance (by project) Chassis Intrusion Detection

Power Requirement

Power Supply Unit	1+1 Redundant PSU (250-300W) 100-240VAC
-------------------	---

Software

OS Support	Linux Kernel 4.4 or above, (64-bit)
------------	-------------------------------------

Mechanical & Environment

Dimensions	440 (W) x 44 (H) x 500 (D) mm
Operating Temp.	0~ 40°C (32~104°F)
Storage Temp.	-20~80°C (-4~176°F)
Relative Humidity	0 to 90% @40°C, non-condensing
Certifications	CE, FCC Class A, RoHS 2, cULus

Model Name

ANR-C236N1-K2D0T	Networking 1U Rackmount, Intel® C236 PCH + Kabylake platform, .1x Exp. NIM (1G/10G/40G, Fiber/Copper/LAN Bypass) .12x GbE LANs (4-pair bypass) + 1x Mgmt. .2x SFP+ (10G Fiber) .1+1 Redundant PSU
ANR-C236N1-K2D00	Networking 1U Rackmount, Intel® C236 PCH + Kabylake platform, .1x Exp. NIM (1G/10G/40G, Fiber/Copper/LAN Bypass) .12x GbE LANs (4-pair bypass) + 1x Mgmt. .1+1 Redundant PSU
ANR-C236N1-K1D00	Networking 1U Rackmount, Intel® C236 PCH + Kabylake platform, .1x Exp. NIM (1G/10G/40G, Fiber/Copper/LAN Bypass) .12x GbE LANs (4-pair bypass) + 1x Mgmt. .Single PSU,

Specification

System

CPU	Intel® Xeon® E3-1275 v6 Intel® 7 th Gen CPU Kabylake-S Core™ i7-7700 Intel® 7 th Gen CPU Kabylake-S Core™ i5-7500 Intel® 7 th Gen CPU Kabylake-S Core™ i3-7101E
Chipset	Intel® PCH C236
Memory	4 x 288-pin UDIMM DDR4-2400, ECC/non-ECC, (up to 64GB)
BIOS	AMI
WatchDog Timer	Software programmable 0~255 sec.

Video

Video Interface	HDMI 1.4
-----------------	----------

Ethernet

Chipset	Intel® I210/I350 (10/100/1000Mbps), LAN[1:8] / LAN[9:12] Intel® X710-BM2 (10G Fiber), SFP+[1:2]
Connector	12x GbE Copper (RJ-45) 2x 10G Fiber (SFP+)
LAN bypass	4-pair

Storage

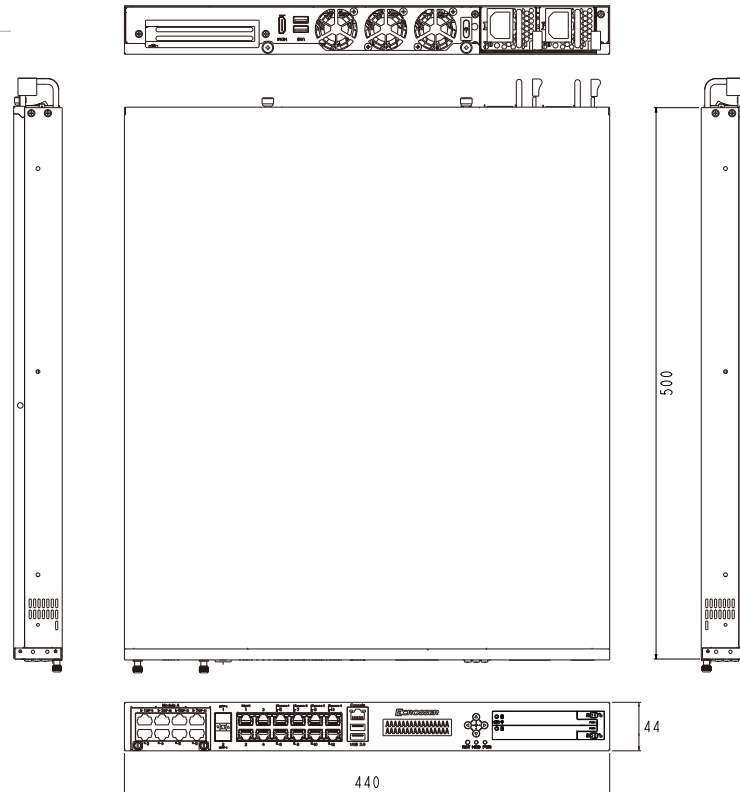
HDD Bay	2 x 2.5" SATA-III Hot-swappable (S/W RAID 0/1)
mSATA	1 x mSATA socket (support full-size module)
CFast	1 x CFast socket

I/O

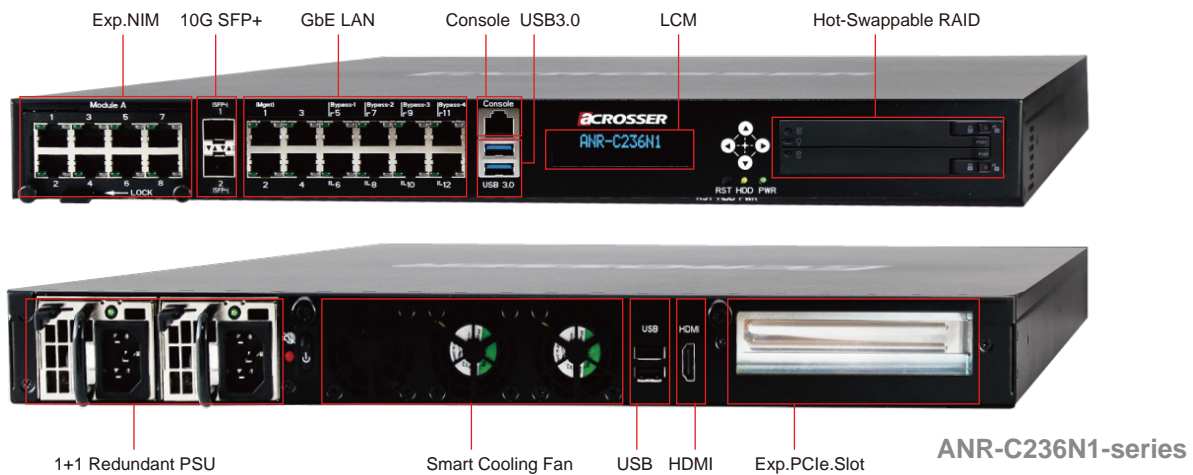
Console port	1 x Serial console (RJ-45)
USB port	2 x USB 3.0 (front-side) 2 x USB 2.0 (rear-side)
LCM	16 x 2 characters LCM with 4-key button
GPIO	8-bit GPIO (4-In, 4-Out), on-board pin header
Exp. NIM	1 x Exp. NIM (1G/10G/40G, Fiber/Copper/LAN Bypass)
Exp. PCIe slot	1 x Exp. PCIe slot
OPMA slot	1 x OPMA slot (for IPMI 2.0 module, by project)

Specifications are subject to change without notice.

Dimensions



I/O Connectors



Packing List

- ANR-C236N1 series system x 1
- SATA cable x 2
- CD utility x 1
- Console cable (RJ-45 <-> DB9) x 1
- USA / EU / JPN / UK / AS / NZS / SA / India power cord x 2
- Rack bracket x 1
- Box packing x 1
- Screw pack x 1
- Slide Rail x 1

Ordering Information

ANR-C236N1-K2D0T	Networking 1U Rackmount Intel® C236 PCH + Kabylake platform 1 Exp. NIM, 12 GbE LANs + 1 Mgmt., 2 SFP+ 1+1 Redundant PSU
ANR-C236N1-K2D00	Networking 1U Rackmount Intel® C236 PCH + Kabylake platform, 1 Exp. NIM, 12 GbE LANs + 1 Mgmt., 1+1 Redundant PSU
ANR-C236N1-K1D00	Networking 1U Rackmount Intel® C236 PCH + Kabylake platform 1 Exp. NIM, 12 GbE LANs + 1 Mgmt., Single PSU

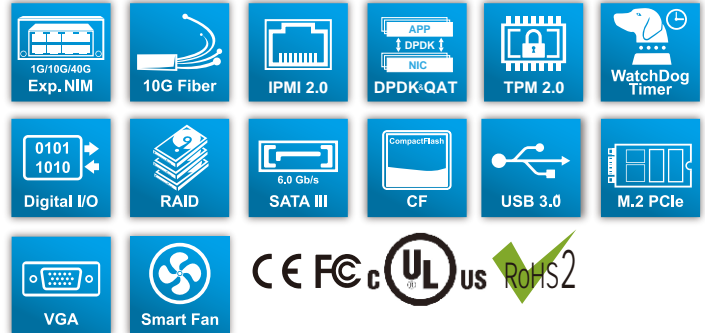
ANR-EP3KN1

1U Rackmount IoT Gateway/Network Server AMD Snowy Owl EPYC™ 3000 Platform, 4/3 Exp. NIMs & 1+1 Redundant PSU



Features

- AMD Snowy Owl EPYC™ 3000 SoC
- 8/4 x UDIMM DDR4-2666/2400
- 4/3 x Exp. NIMs (1G/10G/40G, Fiber/Copper/LAN Bypass)
- 1 x Management port
- 2 x 10G Fiber (SFP+)
- 2 x M.2 NVMe (RAID 0/1)
- 3 x Smart Cooling Fan
- 1+1 Redundant PSU / 1 x Single PSU



Specification

System

CPU	AMD Snowy Owl EPYC™ 3451 (16C, 2.15G) AMD Snowy Owl EPYC™ 3351 (12C, 1.90G) AMD Snowy Owl EPYC™ 3251 (8C, 2.50G) AMD Snowy Owl EPYC™ 3151 (4C, 2.70G)
Chipset	SoC
Memory	ANR-EP3KN1-16/12 (4 NIMs SKU) 8 x UDIMM DDR4-2666/2400 ANR-EP3KN1-08/04 (3 NIMs SKU) 4 x UDIMM DDR4-2666/2400
BIOS	AMI
WatchDog Timer	Software programmable 0~255 sec.

Video

Video Interface	VGA
-----------------	-----

Ethernet

10G	2 x 10G Fiber (SFP+)(4 NIMs SKU only)
LAN bypass	Exp. NIMs supported

Storage

HDD Bay	ANR-EP3KN1-16/12 (4 NIMs SKU) 4 x 2.5"/3.5" SATA-III Hot-swappable (RAID 0/1/5/10) ANR-EP3KN1-08/04 (3 NIMs SKU) 2 x 2.5"/3.5" SATA-III Hot-swappable (RAID 0/1)
M.2	2 x M.2 M-Key support NVMe (RAID 0/1) (4 NIMs SKU only)
CF/CFast	1 x CF socket (CFast for optional)

I/O

Console port	1 x Serial console (RJ-45) 1 x USB console (Micro-USB)
USB port	2 x USB 3.0 (front-side)
LCM	Graphic LCM
GPIO	8-bit GPIO (4-In, 4-Out), on-board pin header
Exp. NIM	4/3 x Exp. NIMs Hot-swappable (1G/10G/40G, Fiber/Copper/LAN Bypass)
Exp. PCIe slot	1 x Exp. PCIe Gen3 [16X] slot (FHFL)

Mini PCIe	LTE module supported (optional)
-----------	---------------------------------

Others

Battery	Lithium Battery, 3V 220mAH (CR2032)
Hardware Monitoring	CPU Volt. CPU & SYS Temp. FAN Speeds
Security & Mgmt.	TPM 2.0 (Infineon chipset) IPMI 2.0 (ASPEED AST2500 BMC) Chassis Intrusion Detection
DPDK	Support DPDK

Power Requirement

Power Supply Unit	ANR-EP3KN1-16/12 (4 NIMs SKU) 1+1 Redundant Platinum PSU (400W) 100-240VAC ANR-EP3KN1-08/04 (3 NIMs SKU) 1 x Single PSU (300W)
-------------------	---

Software

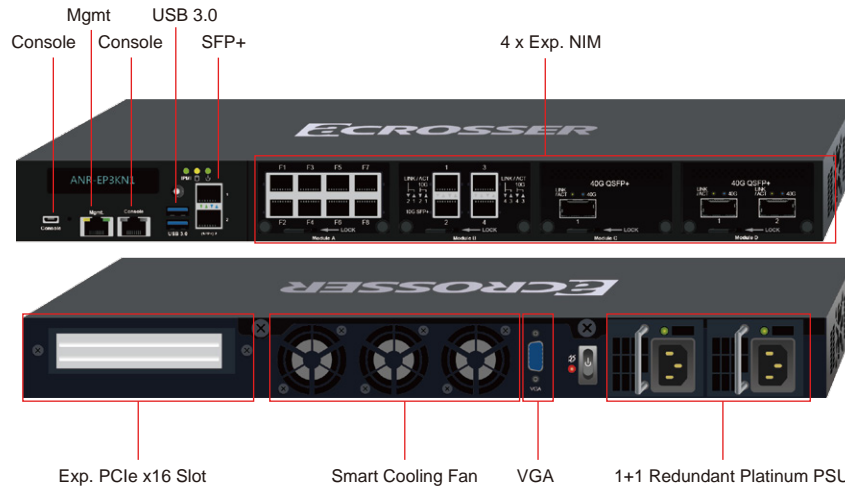
OS Support	Linux Kernel 4.10 or above, (64-bit)
------------	--------------------------------------

Mechanical & Environment

Dimensions	440± 0.5 (W) * 44± 0.2 (H) * 550± 0.5 (D) mm
Operating Temp.	0~ 40°C (32~104°F)
Storage Temp.	-20~80°C (-4~176°F)
Relative Humidity	0 to 90% @40°C, non-condensing
Certifications	CE, FCC Class A, RoHS 2, cULus

Model Name

ANR-EP3KN1-16/12	.1U Rackmount IoT Gateway/Network Server .AMD Snowy Owl EPYC™ 3000 SoC .4/3 x Exp. NIM (1G/10G/40G, Fiber/Copper/LAN Bypass) .1 x Management port
ANR-EP4KN1-08/04	.2 x 10G Fiber (SFP+) .2 x M.2 NVMe (RAID 0/1) .1+1 Redundant PSU (400W)/1 x Single PSU (300W)



Packing List

- ANR-EP3KN1 system x 1
- SATA cable x 2
- CD utility x 1
- RJ45 console cable (RJ45 <-> DB9) x 1
- USB console cable (Micro-B <-> Type A) x 1
- USA / EU / JPN / UK / AS / NZS / SA / India power cord x 2
- Rack bracket x 1
- Box packing x 1
- Screw pack x 1
- Slide Rail x 1

Ordering Information

ANR-EP3KN1-16/12	1U Rackmount IoT Gateway/Network Server, AMD Snowy Owl EPYC™ 3000 SoC, 4x Exp. NIM, 1xMgmt., 2 SFP+, 4 SATA-III, 2 M.2 NVMe, 1+1 Redundant Platinum PSU
ANR-EP3KN1-08/04	1U Rackmount IoT Gateway/Network Server, AMD Snowy Owl EPYC™ 3000 SoC, 3x Exp. NIM, 1xMgmt., 2 SATA-III, 1 Single PSU

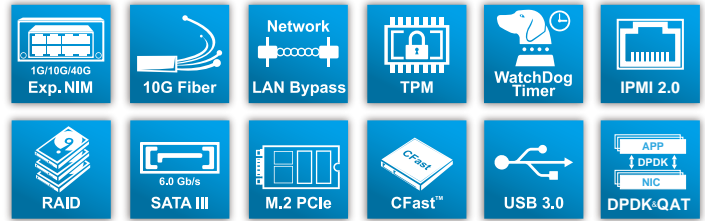
ANR-DNV3N1

1U Rackmount IoT Gateway/Network Micro Server Intel® Denverton Platform, 1 Exp. NIM, & 1U Redundant PSU



Features

- Intel® Denverton C3000 Platform
- 4~16 core SoC options
- 4 x UDIMM DDR4-2400
- 1 x Exp. NIM (1G/10G/25G/40G Fiber/Copper/LAN Bypass)
- 1 x Mgmt. port
- 4 x 2.5" Hot-swappable(RAID 0/1/5/10), 1 x mSATA & 1 x CFAST
- 3 x smart cooling fan
- 1+1 Redundant PSU



Others

Battery	Lithium Battery, 3V 220mAH (CR2032)
Hardware Monitoring	CPU Volt. CPU & SYS Temp. FAN Speeds
Security & Mgmt.	TPM 2.0 (Infineon chipset) IPMI 2.0 (ASPEED AST2500 BMC) Chassis Intrusion Detection
QAT & DPDK	Support QAT & DPDK

Power Requirement

Power Supply Unit	1+1 Redundant ATX PSU (280W) 100-240VAC
-------------------	---

Software

OS Support	Linux Kernel 4.8 and above, (64-bit)
------------	--------------------------------------

Mechanical & Environment

Dimensions	440 (W) x 44 (H) x 380 (D) mm
Operating Temp.	0~ 40°C (32~104°F)
Storage Temp.	-20~80°C (-4~176°F)
Relative Humidity	0 to 90% @40°C, non-condensing
Certifications	CE, FCC Class A, RoHS 2, cULus

Model Name

ANR-DNV3N1	1U Rackmount IoT Gateway/Network Micro Server .Intel® Denverton-NS platform .1 x Exp. NIM (1G/10G/25G/40G,Fiber/Copper/LAN Bypass) .1 x Management port .1+1 1U Redundant PSU
------------	---

Specification

System

CPU	Intel® Atom® C3958 Processor Intel® Atom® C3858 Processor Intel® Atom® C3758 Processor Intel® Atom® C3558 Processor
Chipset	Intel® Denverton SoC
Memory	4 x ECCDIMM DDR4-2400
BIOS	AMI
WatchDog Timer	Software programmable 0~255 sec.

Video

Video Interface	VGA
-----------------	-----

Ethernet

Chipset	Intel® I210, Mavvell 88E6190
Connector	9 x GbE Copper (RJ-45)(1x WAN, 8 x switch) 1 x GbE / Fiber (SFP) 2 x SFP+or optional 2.5GbE Copper (RJ-45)
LAN bypass	2 pairs

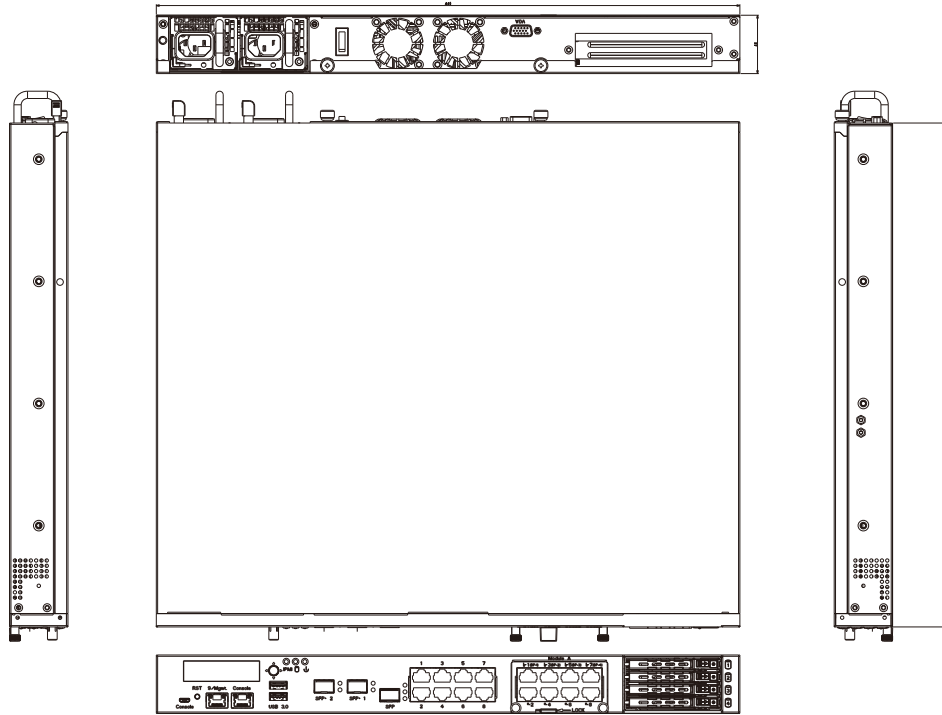
Storage

HDD Bay	4 x 2.5" SATA-III Hot-swappable (RAID 0/1/5/10)
mSATA	1 x mSATA socket (support full-size module)
CFAST	1 x CFAST socket

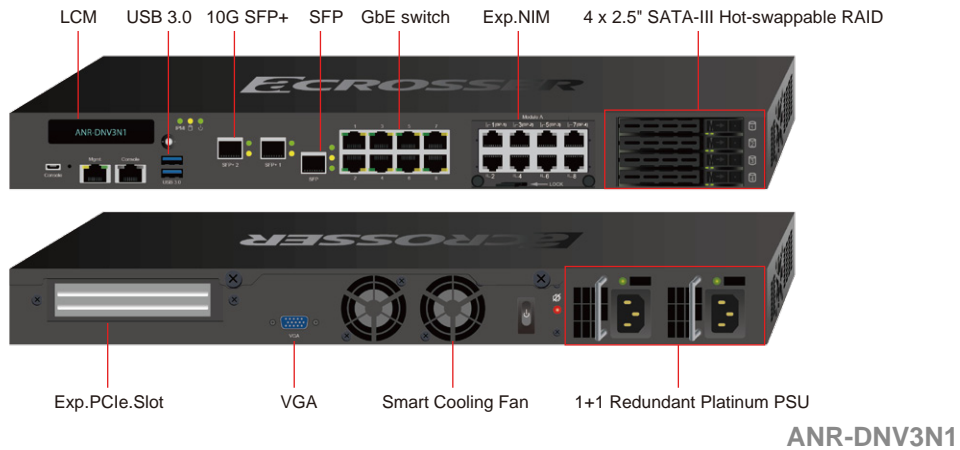
I/O

Console port	1 x Serial console (RJ-45)
USB port	1 x USB console (micro-USB)
LCM	Graphic LCM
GPIO	4-bit GPIO (2-In, 2-Out), on-board pin header
Exp. NIM	1 x Exp. NIM Hot-swappable (Not for C3558) (1G/10G/25G/40G, Fiber/Copper/LAN Bypass)
Expansion	1 x Exp. PCIe Gen3 x8(FHHL)(Not for C3558) (Not available if NIM is used)

Dimensions



I/O Connectors



Packing List

- ANR-DNV3N1 series system x 1
- CD utility x 1
- Console cable (RJ-45 to DB9) x 1
- USA / EU / JPN / UK / AS / NZS / SA / India power cord x 1
- Box packing x 1
- Screw for bracket (HDD bracket) x 14

Ordering Information

ANR-DNV3N1	1U Rackmount IoT Gateway/Network Micro Server .Intel® Denverton-NS platform .1 x Exp. NIM (1G/10G/25G/40G,Fiber/Copper/LAN Bypass) .1 x Management port .1+1 1U Redundant PSU
------------	---

ANR-APL1N1FL series

Intel® Apollo Lake SoC series Networking 1U Rack Mount Fanless Solution,
6 x GbE LANs with 3-pair Bypass



Features

- Intel® Apollo Lake SoC J-series/N-series/E-series
- 1 x SO-DIMM DDR3L-1866 MHz, up to 8GB
- 6 x GbE, 2 x USB 3.0
- 1 x PCIe Expansion Slot
- 8 x GPIO
- 1 x LCM



Specification

System

CPU	<ul style="list-style-type: none"> • Intel® Apollo Lake SoC J3455 CPU • Intel® Apollo Lake SoC J3355 CPU • Intel® Apollo Lake SoC N4200 CPU • Intel® Apollo Lake SoC N3350 CPU • Intel® Apollo Lake SoC E3950 CPU • Intel® Apollo Lake SoC E3940 CPU • Intel® Apollo Lake SoC E3930 CPU
Chipset	Intel® Apollo Lake SoC
Memory	1 x SO-DIMM DDR3L-1866 MHz, up to 8GB

Video

Graphic Controller	Intel® HD Graphics
Video Interface	1 x VGA (1 x internal header)

Storage

SATA	1 x SATAIII / mSATA (Optional)
CF	1 x CF Card / CFast (Optional)

I/O

Ethernet	6 x GbE, Intel® I210-AT Ethernet Controllers
3rd LAN Bypass	3-pair
Expansion Slot	1 x PCIe x 8 Slot (x1 Signal)
Serial Port	1 x Console Port (RJ45)
USB	2 x USB 3.0 Port
GPIO	8-bit Digital I/O
LCM	16 x 2 characters LCM with 4-key button

Hardware Feature

Hardware Monitoring	1) CPU Voltage
	2) CPU Temperature
	3) System Temperature
	4) RTC Battery Voltage
WatchDog Timer	Software programmable 1~255 sec.

Power Requirement

Power Input	60W Open Frame Power Supply
-------------	-----------------------------

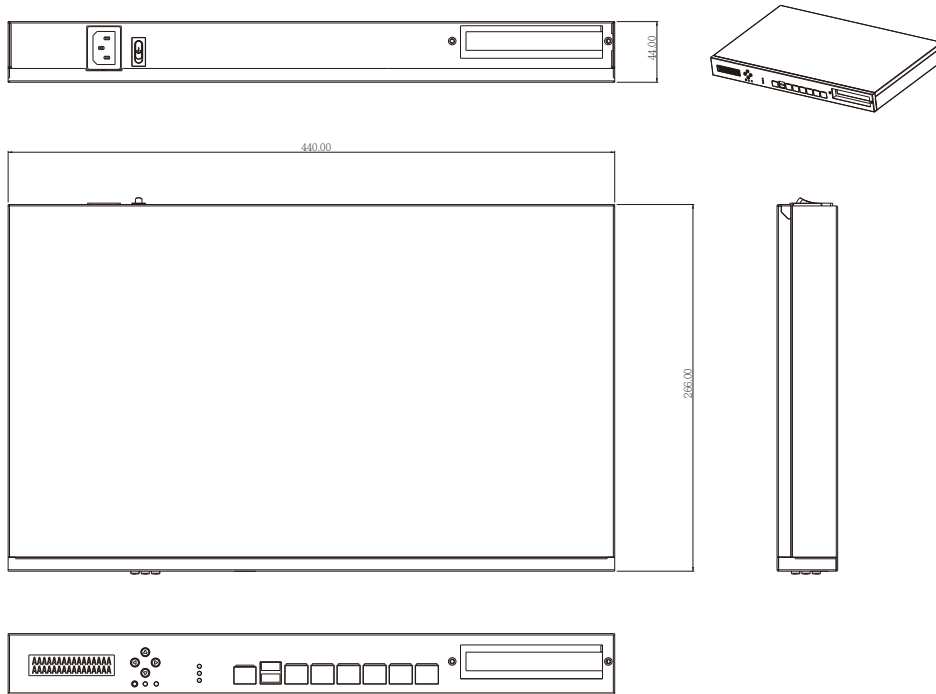
Software

OS Support	<ul style="list-style-type: none"> • Windows 10 IoT Enterprise LTSB Entry • Ubuntu 18.04 64bit
------------	--

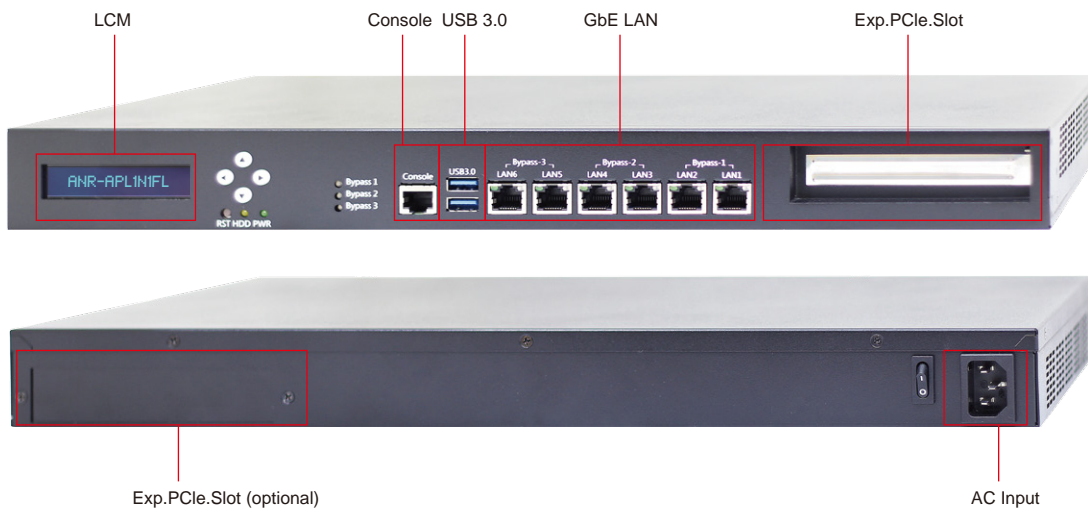
Mechanical & Environment

Security	TPM 2.0
Dimension	440 x 266 x 44mm
Operating Temp.	0~40°C (32~104°F)
Storage Temp.	-20~80°C (-4~176°F)
Safety	CE, FCC class A

Dimension



I/O Connectors



Packing List

- ANR-APL1N1FL system
- 1 x Driver CD
- 1 x Quick Guide
- 1 x Console Cable (DB9)
- 1 x SATA Cable
- 1 x SATA Power Cable

Ordering Information

ANR-APL1N1FL series

1U Rack Mount Fanless Solution with Intel® Apollo Lake SoC J-series/N-series/E-series, GbE, USB 3.0, SO-DIMM DDR3L-1866, SATA III, CF, PCIe Expansion Slot

Option

- 2GB DDR3L-1866 memory (non-ECC SO-DIMM)
- 4GB DDR3L-1866 memory (non-ECC SO-DIMM)
- 8GB DDR3L-1866 memory (non-ECC SO-DIMM)
- Arosser LOGO sticker x2 (Top & Front)

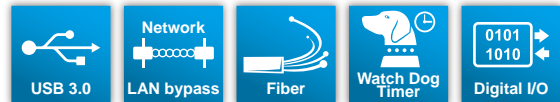
ANR-IB75N2/A/B

1U Rackmount Intel PCH B75 Networking, 8 GbE LANs



Features

- Intel B75 Platform
- Supports LGA1155 Intel® Core™ i7/i5/i3 processor / Pentium CPU
- 1 x SATAIII, 1 x SATAII
- 2 x USB 3.0
- Option1: Intel GbE LAN x 8
- Option2: Intel GbE LAN x 8 + 2 Fiber
- Option3: Intel GbE LAN x 8 + 4 Fiber



CE FCC

Power Requirement

Power Requirement	Internal 250W 80 PLUS(Bronze) power supply, input range 100V AC 60Hz ~ 230V AC 50Hz
-------------------	---

Software

OS Support	Win 7 32/64 bit, WES7 32bit, Fedora 14 32/64bit, Ubuntu 10.04 32/64bit
------------	--

Mechanical & Environment

Dimension	440 mm x 371.5 mm x 44mm
Operating Temp.	0~40°C (32~104°F)
Storage temp.	-20~80°C (-4~176°F)
Relative Humidity	0~90% @ 40°C, non-condensing
Safety	CE, FCC class A

Model Name

ANR-IB75N2	Networking Rackmount Server with PCH B75, 8 x RJ45 GbE LAN (2-pair bypass)
ANR-IB75N2A	Networking Rackmount Server with PCH B75, 8 x RJ45 GbE LAN (2-pair bypass) and 2 x Fiber expansion feature
ANR-IB75N2B	Networking Rackmount Server with PCH B75, 8 x RJ45 GbE LAN (2-pair bypass) and 4 x Fiber expansion feature

Specification

System

CPU	Intel 3rd Gen. Core i / Pentium LGA1155 Processors
Chipset	Intel B75
Memory	2 x DDR3L-1333/1600MHz, UDIMM, up to 16GB
BIOS	AMI
WatchDog Timer	Software programmable 0~255 sec.

Video

Video Interface	VGA(on board pin header)
-----------------	--------------------------

Ethernet

Chipset	ANR-IB75N2: Intel I210-AT(GbE) x8 ANR-IB75N2A: Intel I210-AT(GbE) x8 Intel 82576EB x2 (Fiber port) ANR-IB75N2B: Intel I210-AT(GbE) x8 Intel 82576EB x4 (Fiber port)
Connector	ANR-IB75N2: 8 x RJ45 for Copper Ethernet ANR-IB75N2A: 8 x RJ45 for Copper Ethernet 2 x SFP Slot ANR-IB75N2B: 8 x RJ45 for Copper Ethernet 4 x SFP Slot
LAN bypass	2-pair

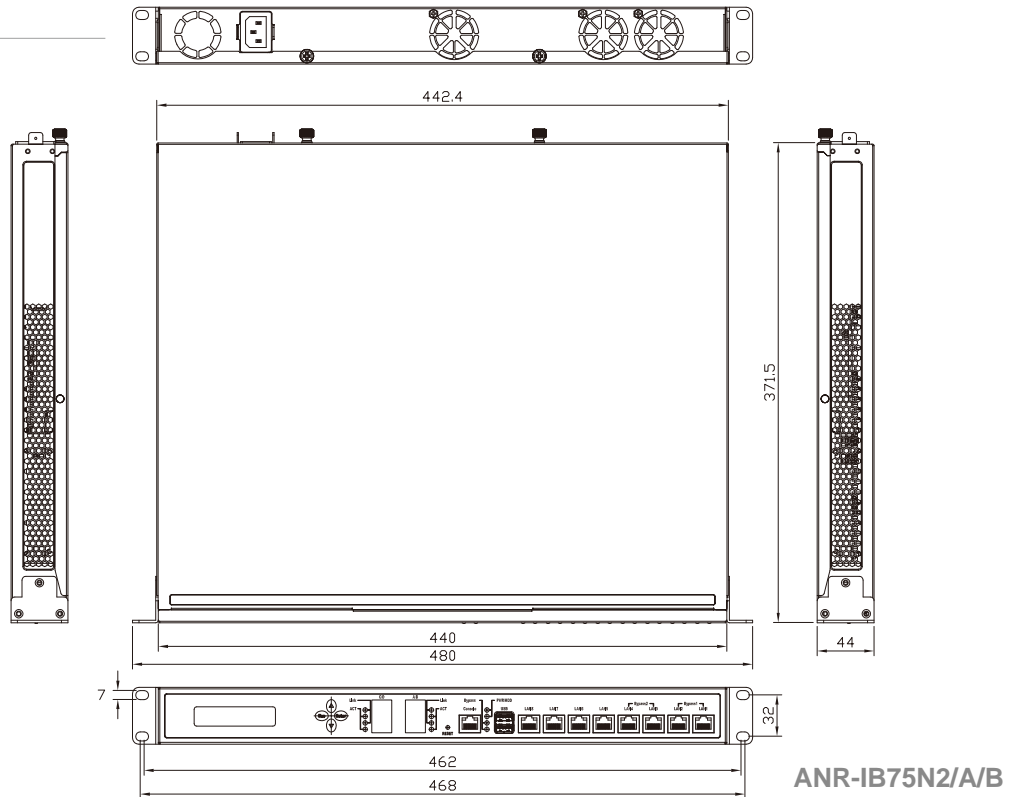
Storage

SATA	1 x SATA III , 1 x SATA II
Compact Flash	1 x Compact Flash Type II socket supports UDMA
HDD Bay	2 x 2.5" HDD bay

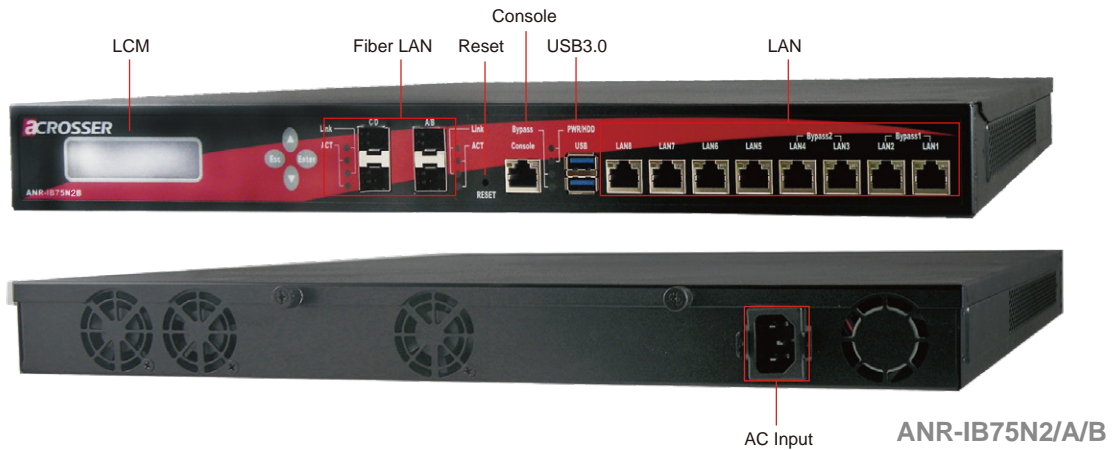
I/O

Console port	1 x RJ45 for console
USB port	2 x USB 3.0 ports
LCM	16 x 2 characters LCD module with 4 buttons
GPIO	8-bit GPIO (4 In, 4 Out) on board pin header

Dimension



I/O Connectors



Packing List

- ANR-IB75N2/A/B system x 1
- Quick manual x 1
- SATA cable x 2
- CD Utility x 1
- Console Cable(RJ45) x 1
- USA or Europe or Japan or UK power cord x 1
- Rack bracket x 2
- Box Packing x 1
- Screw for bracket (for Rack + HDD bracket) x 14
- Power cord hook x 1

Ordering Information & CPU support list

ANR-IB75N2(A/B)i71	3rd Generation Intel Core i7 Processors i7-3770
ANR-IB75N2(A/B)i51	3rd Generation Intel Core i5 Processors i5-3550S
ANR-IB75N2(A/B)i31	3rd Generation Intel Core i3 Processors i3-3220
ANR-IB75N2(A/B)PG1	Intel Pentium Processor G2120

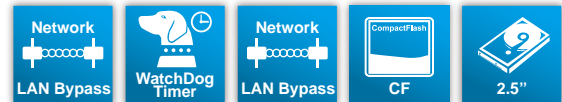
ANR-J190/J180N2-C612

Intel® Celeron® Bay Trail J1900/J1800 Networking 1U Rackmount,
6 x GbE LANs



Features

- Intel® Celeron® Bay Trail J1900/J1800
- 1 x 204-pin DDR3L-1600 MHz, 1 x SO-DIMM Slot, Up to 8GB
- 6 x GbE, 2 x USB
- 1 x Mini PCIe Expansion
- 8 x GPIO
- 1 x COM (internal header)



CE FC

Power Requirement

Power Input	Internal 250W power supply, input range 100V AC 60Hz ~ 240V AC 50Hz
-------------	---

Software

OS Support	1. Windows 7 (32/64-bit) 2. Linux Kernel 3.11 (32/64-bit)
------------	--

Mechanical & Environment

Dimension	440 x 250 x 45 mm
Operating Temp.	0~40°C
Storage temp.	-20~80°C

Specification

System

CPU	1. Intel® Celeron® Bay Trail J1900, Quad-core, clock speed 2.00GHz 2. Intel® Celeron® Bay Trail J1800, Dual-core, clock speed 2.41GHz
Memory	1 x 204-pin SO-DIMM socket support 1600MHz DDR3L up to 8GB
BIOS	AMI UEFI
WatchDog Timer	Software programmable 0~255 sec.

Video

Graphic Controller	Integrated graphics support for processors with Intel Graphics Technology
Video Interface	1 x VGA (1 x internal header)

Ethernet

Chipset	6 x Intel GbE chip
Connector	6 x RJ45 with LED
Bypass LAN	Yes (2-pair: LAN3&LAN4, LAN5&LAN6)

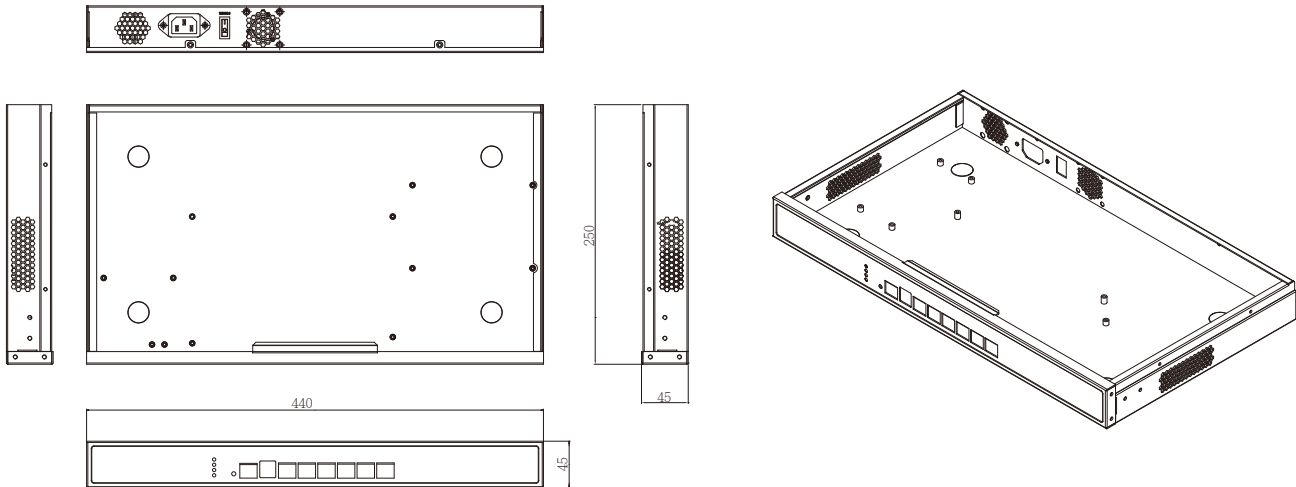
Storage

SATA	1 x SATAII port
Compact Flash	1 x Compact Flash Type II socket
HDD Bay	1 x 2.5" HDD Bay

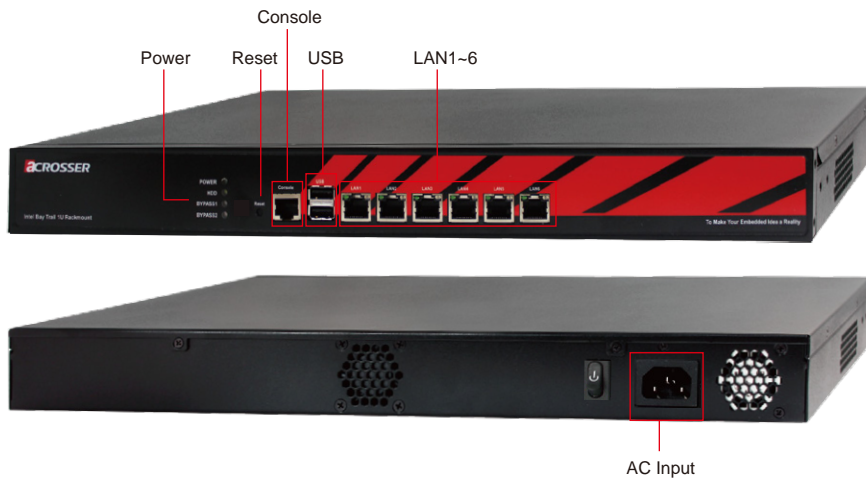
I/O

Expansion	1 x Mini PCIe socket
Console Port	1 x Console (1 x RJ45)
USB	2 x USB 2.0

Dimension



I/O Connectors



Packing List

- 1 x ANR-J190/J180N2-C612 system
- 1 x Driver CD
- 1 x Console Cable (DB9)
- 1 x SATA Cable
- 1 x SATA Power Cable
- 2 x Bracket Ears
- 1 x Power Cord (Option for USA/UK/EU/JPN/AU/RSA/IND)

Option

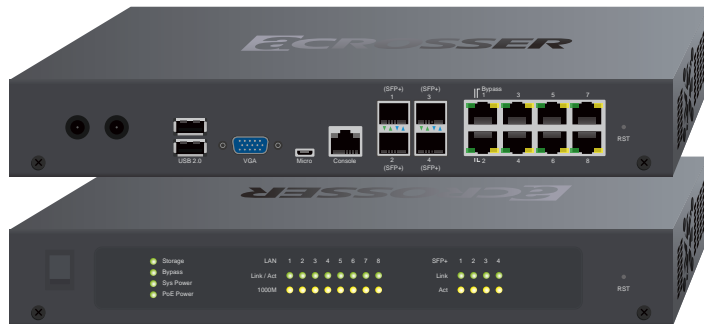
- | | |
|-----------------|---|
| ANR-J190N2-C612 | 2GB DDR3L-1600 memory (non-ECC SO-DIMM) |
| ANR-J180N2-C612 | 4GB DDR3L-1600 memory (non-ECC SO-DIMM) |
| | 8GB DDR3L-1600 memory (non-ECC SO-DIMM) |

Ordering Information

- | | |
|-----------------|--|
| ANR-J190N2-C612 | Intel® Celeron® Bay Trail J1900/J1800 Networking |
| ANR-J180N2-C612 | 1U Rackmount, DDR3L, GbE, USB 2.0, SATA II, CF, Mini PCIe PCIe |

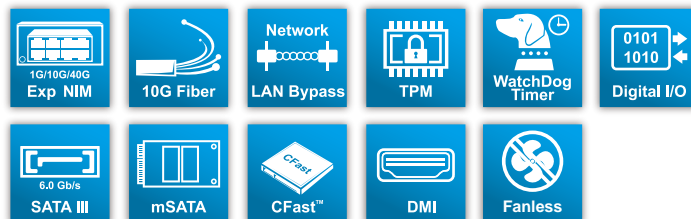
AND-DNV3N1

Intel® Denverton Platform, 1 Exp. NIM, & PoE Desktop Networking Appliance



Features

- Intel® Denverton C3000 Platform
- 2~8 core SoC options
- 2 x UDIMM DDR4
- 1 x 2.5" SSD, & 1 x CFast
- smart cooling fan(C3758)
- Fanless Design (C3338, C3558)



Others

Battery	Lithium Battery, 3V 220mAH (CR2032)
Hardware Monitoring	CPU Volt. CPU & SYS Temp.
Security	TPM 2.0 (Infineon chipset)
QAT & DPDK	Support QAT & DPDK

Power Requirement

Power Supply Unit	12V(60W),54V(70W)for PoE
-------------------	--------------------------

Software

OS Support	Linux Kernel 4.8 or above, (64-bit)
------------	-------------------------------------

Mechanical & Environment

Dimensions	300 (W) x 44 (H) x 220 (D) mm
Operating Temp.	0~ 40°C (32~104°F)
Storage Temp.	-20~80°C (-4~176°F)
Relative Humidity	0 to 90% @40°C, non-condensing
Certifications	CE, FCC Class A, RoHS 2, cULus

Model Name

AND-DNV3N1-02/04/08	Desktop Networking Appliance Intel® Denverton-NS platform 8 x GbE Copper 2/4 x SFP+,Optional PoE AC Adapter
---------------------	--

Specification

System

CPU	Intel® Atom® C3758 Processor (8 core) Intel® Atom® C3558 Processor (4 core) Intel® Atom® C3338 Processor (2 core)
Chipset	Intel® Denverton SoC
Memory	1 x So-RDIMM DDR4-2400(C3338)
BIOS	AMI
WatchDog Timer	Software programmable 0~255 sec.

Video

Video Interface	VGA
-----------------	-----

Ethernet

Chipset	Intel® I211, X553
Connector	8 x GbE Copper (RJ-45) 4 x 10GbE Fiber (SFP+)(C3558 or above) 4 x GbE PoE Copper (RJ-45)(optional)
LAN bypass	One Pair

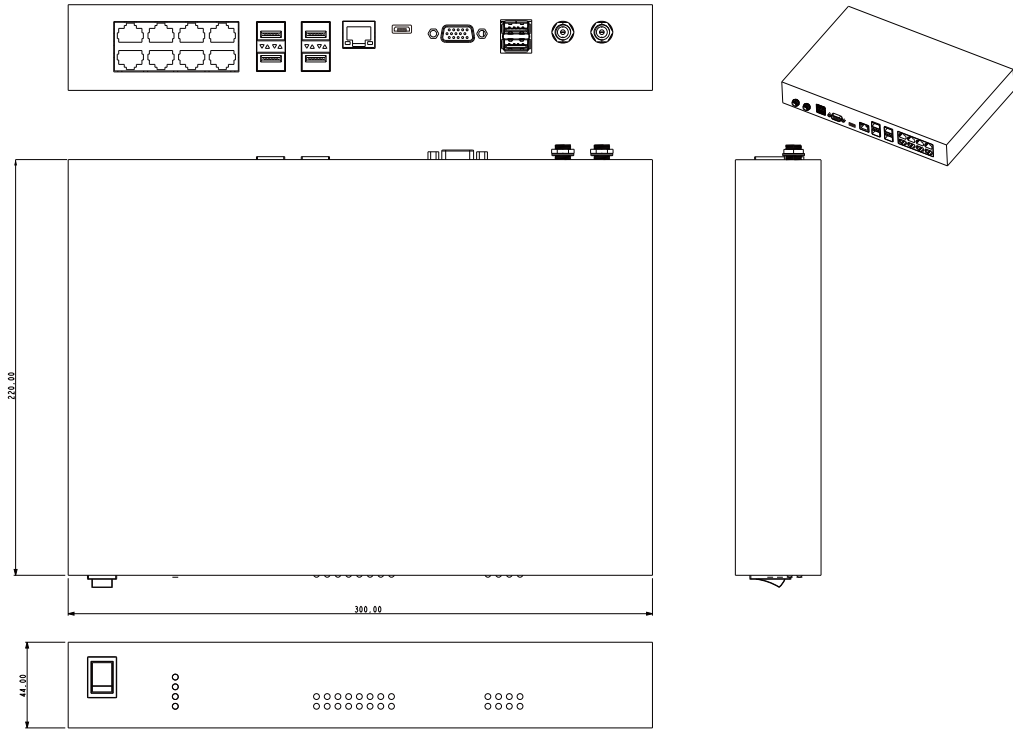
Storage

HDD Bay	1 x 2.5" SATA-III port
CFast	1 x CFast socket

I/O

Console port	1 x Serial console (RJ-45), 1 x USB console (micro-USB)
USB port	2 x USB 3.0 (rear-side)
Antenna port	4 x SMA for WLAN (IEEE 802.11a/b/g/n/ac)&4GLTE
GPIO	4-bit GPIO (2-In, 2-Out), on-board pin header

Dimensions



I/O Connectors



AND-DNV3N1

Packing List

- AND-DNV3N1 series system x 1
- SATA cable x 1
- CD utility x 1
- Console cable (RJ-45 to DB9) x 1
- USA / EU / JPN / UK / AS / NZS / SA / India power cord x 2
- Box packing x 1
- Screw for bracket (for rack + HDD bracket) x 14

Ordering Information

AND-DNV3N1-02/04/08

Desktop Networking Appliance
 Intel® Denverton-NS platform
 8 x GbE Copper
 2/4 x SFP+, Optional PoE AC Adapter

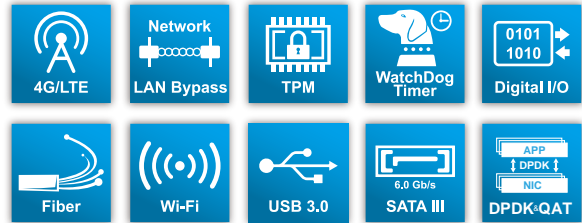
AND-DNV3N2FL

Intel® Atom C3000 Denverton Platform, Desktop Networking Appliance



Features

- Intel® Atom C3558 Denverton-NS Platform
- 4-Core SoC
- 2x SO-DIMM DDR4
- 6x GbE, 2x USB 3.0
- 2x Mini PCIe, One support SIM card socket
- 1x 2.5" SSD,
- TPM 2.0



Others

Battery	Lithium Battery, 3V 220mAH (CR2032)
Hardware Monitoring	CPU Volt. CPU & SYS Temp.
Security	TPM 2.0 (Infineon chipset)
QAT & DPDK	Support QAT & DPDK

Power Requirement

Power Supply Unit	1x DC-in 12V / AC Adapter (40W)
-------------------	---------------------------------

Software

OS Support	Linux Kernel 4.8 or above, (64-bit)
------------	-------------------------------------

Mechanical & Environment

Dimensions	230 (W) x 44 (H) x 105 (D) mm
Operating Temp.	0~ 40°C (32~104°F)
Storage Temp.	-20~80°C (-4~176°F)
Relative Humidity	0 to 90% @40°C, non-condensing
Certifications	CE, FCC Class A, RoHS 2,

Model Name

AND-DNV3N2-04PC	Desktop Networking Appliance Intel® Atom C3558 SoC 6x GbE RJ-45 port 1 AC Adapter
AND-DNV3N2-04PF	Desktop Networking Appliance Intel® Atom C3558 SoC 4xGbE RJ-45 port 2xGbE SFP port 1 AC Adapter

Specification

System

CPU	Intel® Atom® C3558 Processor (4 core)
Chipset	Intel® Denverton SoC
Memory	2 x SO-DIMM DDR4-2400 for Atom C3558
BIOS	AMI
WatchDog Timer	Software programmable 0~255 sec.

Video

Video Interface	None
-----------------	------

Ethernet

Chipset	Intel® I210, Marvell 88E1543
Connector	4x GbE Copper (RJ-45) 2x GbE Copper (RJ-45), Optional 2x GbE Fiber (SFP)
LAN bypass	Two Pairs

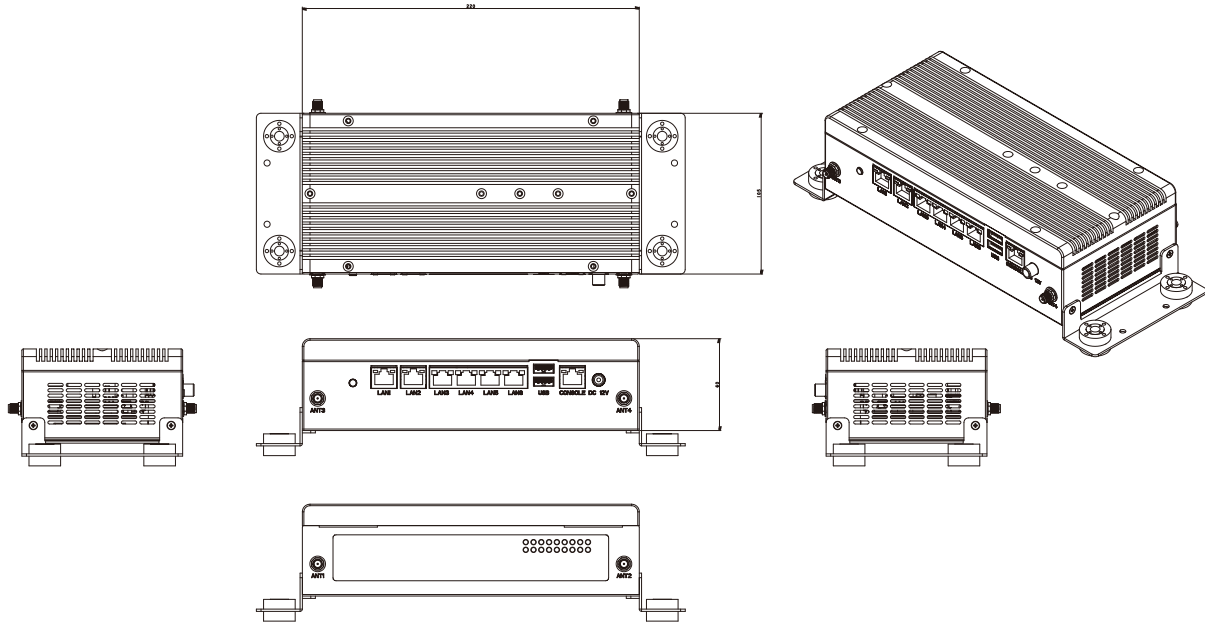
Storage

HDD Bay	1 x 2.5" SATA-III port
---------	------------------------

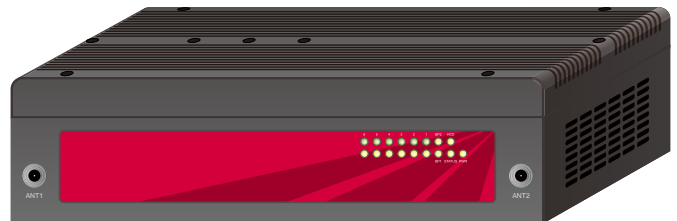
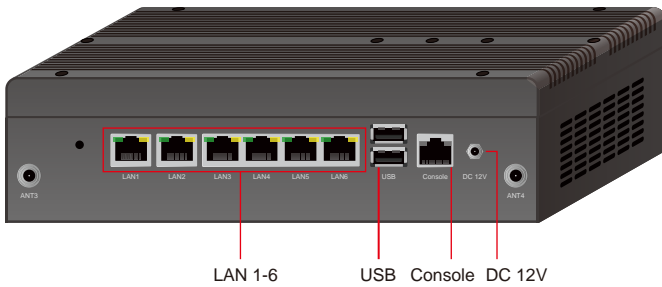
I/O

Console port	1x Serial console (RJ-45)
USB port	2x USB 3.0 (rear-side)
Antenna port	4x SMA for WLAN (IEEE 802.11a/b/g/n/ac) & LTE
GPIO	8-bit GPIO (4-In, 4-Out), on-board pin header
Expansion	2x mini PCIe socket, One supports SIM Card Socket

Dimension



I/O Connectors



Packing List

- AND-DNV3N2FLXXP system x 1
- Console Cable x 1
- CD with Driver and Manual x 1
- Power Adapter x 1
- USA/EU/JPN/UK/AS/NZS/SA/IND power cord x 1
- Screw Pack x 1
- SATA & SATA power cable x 1
- Ear Bracket x 2

Ordering Information

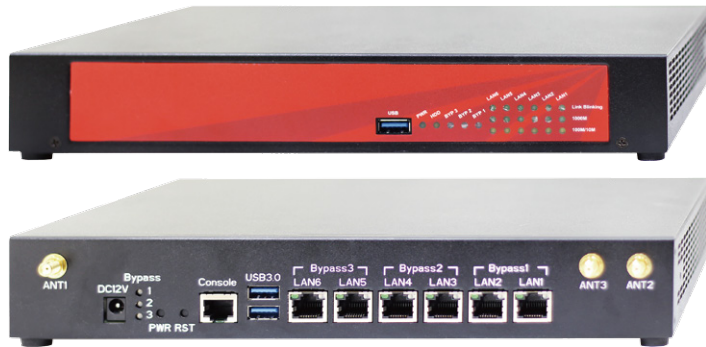
- | | |
|-------------------|--|
| AND-DNV3N2FL-04PC | Networking Desktop powered by Intel®Atom® C3558 SoC, |
| AND-DNV3N2FL-04PF | 4GbE Copper (2-pair bypass) + 2GbE Copper (or Fiber), USB 2.0, SATSIII, mPCIe. |

Optional DDR4 List

- | | |
|------------------|-----------------------------|
| AND-DNV3N2 (ECC) | 4GB DDR4-2400 memory (ECC) |
| | 8GB DDR4-2400 memory (ECC) |
| | 16GB DDR4-2400 memory (ECC) |

AND-APL1N1FL series

Intel® Apollo Lake SoC series Networking Microbox Fanless Solution,
6 x GbE LANs with 3-pair Bypass



Features

- Intel® Apollo Lake SoC J-series/N-series/E-series
- 1 x SO-DIMM DDR3L-1866 MHz, up to 8GB
- 6 x GbE, 3 x USB 3.0
- 1 x Mini PCIe Socket
- 8 x GPIO



Power Requirement

Power Input 12V / 60W Adapter

Software

OS Support

- Windows 10 IoT Enterprise LTSC Entry
- Ubuntu 18.04 64bit

Mechanical & Environment

Security TPM 2.0
 Dimension 280 x 209 x 44mm
 Operating Temp. 0~40°C (32~104°F)
 Storage Temp. -20~80°C (-4~176
 Safety CE, FCC class A

Specification

System

CPU

- Intel® Apollo Lake SoC J3455 CPU
- Intel® Apollo Lake SoC J3355 CPU
- Intel® Apollo Lake SoC N4200 CPU
- Intel® Apollo Lake SoC N3350 CPU
- Intel® Apollo Lake SoC E3950 CPU
- Intel® Apollo Lake SoC E3940 CPU
- Intel® Apollo Lake SoC E3930 CPU

Chipset Intel® Apollo Lake SoC

Memory 1 x SO-DIMM DDR3L-1866 MHz, up to 8GB

Video

Graphic Controller Intel® HD Graphics

Video Interface 1 x VGA (1 x internal header)

Storage

SATA 1 x SATAIII / mSATA (Optional)

CF 1 x CF Card / CFAST (Optional)

I/O

Ethernet 6 x GbE, Intel® I210-AT Ethernet Controllers

3rd LAN Bypass 3-pair

Expansion Slot (support Wifi, 4G module w/ antenna)
1 x Mini PCIe Slot

Serial Port 1 x Console Port (RJ45)

USB 3 x USB 3.0

GPIO 8-bit Digital I/O

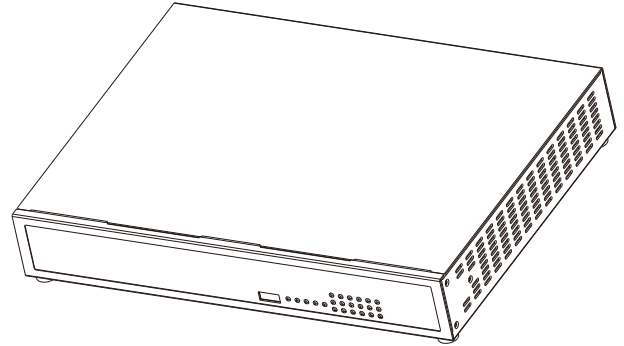
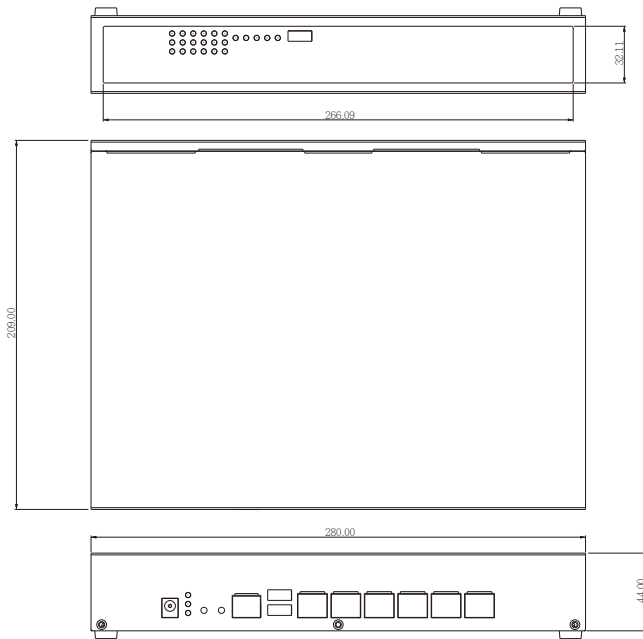
Hardware Feature

Hardware Monitoring

- 1) CPU Voltage
- 2) CPU Temperature
- 3) System Temperature
- 4) RTC Battery Voltage

WatchDog Timer Software programmable 1~255 sec.

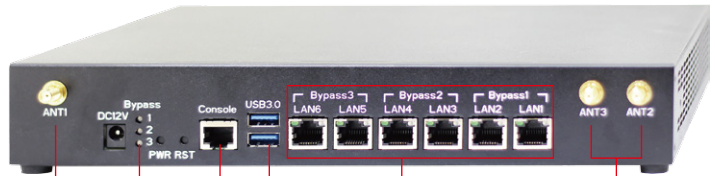
Dimension



I/O Connectors



USB 3.0



Antenna

DC IN

Console

USB3.0

6 x Intel GbE LAN

Antenna

Packing List

- AND-APL1N1FL system
- 1 x Driver CD
- 1 x Quick Guide
- 1 x Console Cable (DB9)
- 1 x SATA Cable
- 1 x SATA Power Cable

Ordering Information

AND-APL1N1FL series

Microbox Fanless Solution with Intel® Apollo Lake SoC J-series/N-series/E-series, GbE, USB 3.0, SO-DIMM DDR3L-1866, SATA III, CF, Mini PCIe

Option

- 2GB DDR3L-1866 memory (non-ECC SO-DIMM)
- 4GB DDR3L-1866 memory (non-ECC SO-DIMM)
- 8GB DDR3L-1866 memory (non-ECC SO-DIMM)
- WiFi module w/ antenna
- 4G module w/ antenna
- Arosser LOGO sticker x1(Top only)

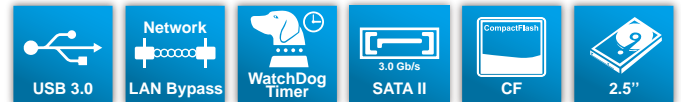
AND-J190/J180N2-C612

Intel® Celeron® Bay Trail J1900/J1800 Networking Microbox,
DDR3L, GbE, USB 3.0, SATA II, CF, Mini PCIe



Features

- Intel® Celeron® Bay Trail J1900/J1800
- 1 x 204-pin DDR3L-1600 MHz, 1 x SO-DIMM Slot, Up to 8GB
- 6 x GbE, 3 x USB
- 1 x Mini PCIe Expansion
- 1 x COM (1 x internal header)
- 8 x GPIO



Specification

System

CPU	1. Intel® Celeron® Bay Trail J1900, Quad-core, clock speed 2.0GHz 2. Intel® Celeron® Bay Trail J1800, Dual-core, clock speed 2.41GHz
Memory	1 x 204-pin SO-DIMM socket support 1600MHz DDR3L up to 8GB
BIOS	AMI UEFI
WatchDog Timer	Software programmable 1~255 sec.

Video

Graphic Controller	Integrated graphics support for processors with Intel Graphics Technology
Video Interface	1 x VGA (1 x internal header)

Ethernet

Chipset	6 x Intel GbE chip
Connector	6 x RJ45 with LED
Bypass LAN	Yes (2-pair: LAN3&LAN4, LAN5&LAN6)

Storage

SATA	1 x SATAII port
Compact Flash	1 x Compact Flash Type II socket
HDD Bay	1 x 2.5" HDD Bay

I/O

Expansion	1 x Mini PCIe socket
Console Port	1 x Console (1 x RJ45)
USB	1 x USB 3.0, 2 x USB 2.0
Antenna Hole	2 x SMA for Wi-Fi (IEEE 802.11a/b/g/n/ac)

Power Requirement

Power Input	DC in 12V / 60W Adapter
-------------	-------------------------

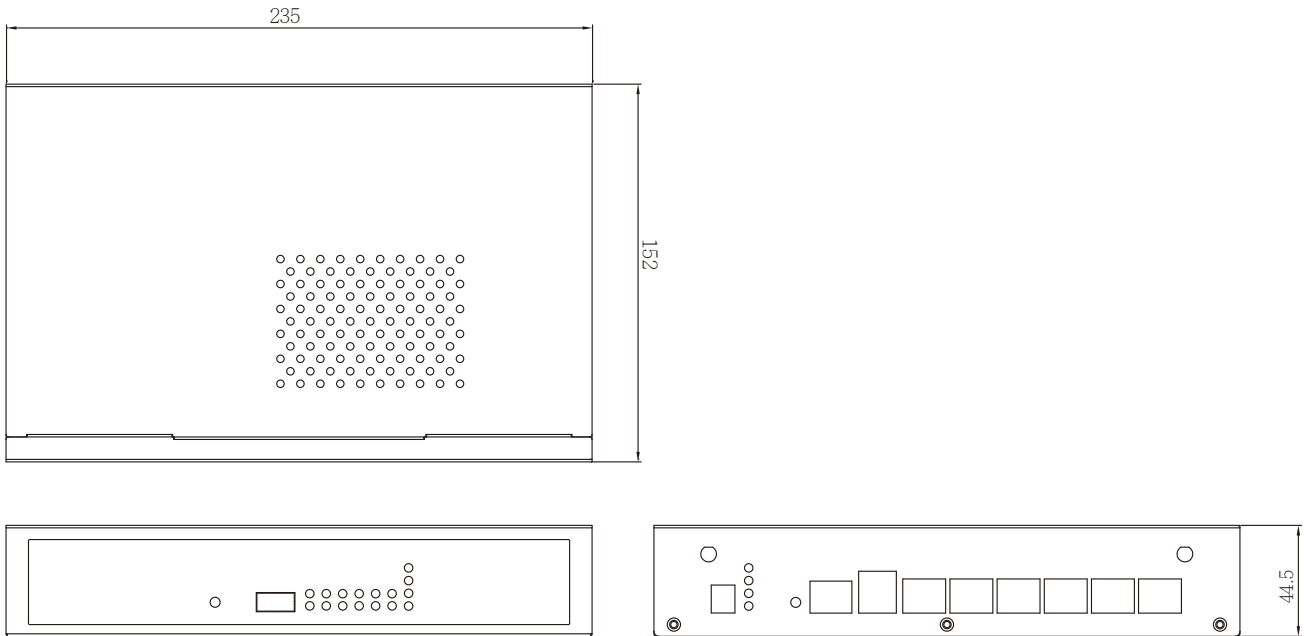
Software

OS Support	1. Windows 7 (32/64-bit) 2. Linux Kernel 3.11 (32/64-bit)
------------	--

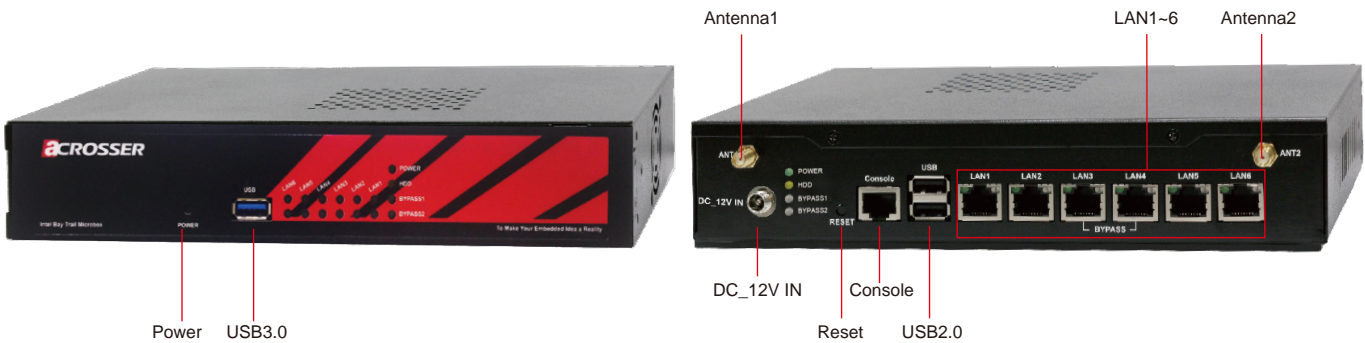
Mechanical & Environment

Dimension	235 x 152 x 44.5 mm
Operating Temp.	0~40°C
Storage temp.	-20~80°C

Dimension



I/O Connectors



Packing List

- 1 x AND-J190/J180N2-C612 system
- 1 x Driver CD
- 1 x Console Cable (DB9)
- 1 x SATA Cable
- 1 x SATA Power Cable
- 1 x Power Adaptor
- 1 x Power Cord (Option for USA/UK/EU/JPN/AU/RSA/IND)

Option

- | | |
|-----------------|---|
| AND-J190N2-C612 | 2GB DDR3L-1600 memory (non-ECC SO-DIMM) |
| AND-J180N2-C612 | 4GB DDR3L-1600 memory (non-ECC SO-DIMM) |
| | 8GB DDR3L-1600 memory (non-ECC SO-DIMM) |

Ordering Information

- | | |
|-----------------|---|
| AND-J190N2-C612 | Intel® Celeron® Bay Trail J1900/J1800 Networking |
| AND-J180N2-C612 | Microbox, DDR3L, GbE, USB 2.0/USB 3.0, SATA II, CF, Mini PCIe |

AND-G420N1

Networking Microbox, AMD® G-Series GX-420MC,
6 x Intel® GbE LAN (2-pair bypass)



Features

- AMD® G-Series GX-420MC, 4-core@2.0GHz, 2MB L2
- 2 x DDR3L-1600MHz, SO-DIMM, up to 16GB
- 6 x Intel® GbE LAN
- 2 x USB 3.0
- 2 x USB 2.0 (internal pin header)
- 1 x Console (RJ45)
- 8 x GPIO (4-In, 4-Out) internal pin header



CE FCC

Power Requirement

Power Input 1 x DC 12V/60W input

Software

OS Support Ubuntu 14.04 (32/64-bit), Linux Kernel 3.13 (32/64-bit)
Fedora 20 (32/64-bit), Linux Kernel 3.11 (32/64-bit)

Mechanical & Environment

Dimension 242 x 149.5 x 44mm
Operating Temp. 0~40°C (32~104°F)
Storage Temp. -20~80°C (-4~176°F)
Relative Humidity 0 to 90% @40°C, non-condensing
EMC & Safety CE, FCC class A

Specification

System

CPU	AMD G-Series GX-420MC Quad-core, clock speed 2.00GHz
Memory	2 x DDR3L-1600MHz, SO-DIMM, up to 16GB
BIOS	AMI® UEFI BIOS
WatchDog Timer	Software programmable 0~255 sec. (0=Disable Timer)

Ethernet

Chipset	6 x Intel® I210-AT GbE chip
Connector	6 x RJ45 with LED
LAN Bypass	2-pair(LAN1&LAN2, LAN3&LAN4)

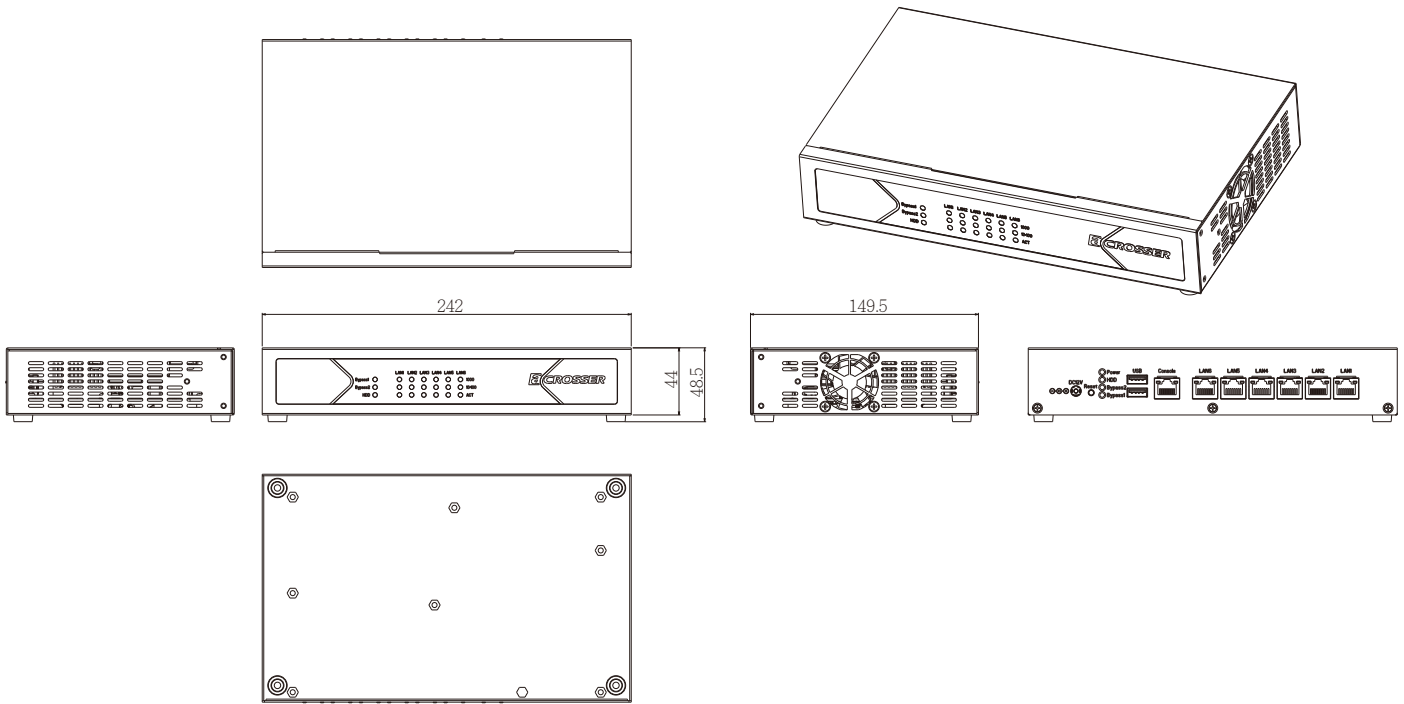
Storage

SATA	1 x SATAII port
Compact Flash	1 x Compact Flash Type-II socket (Support UDMA)
HDD Bay	1 x 2.5" HDD Bay

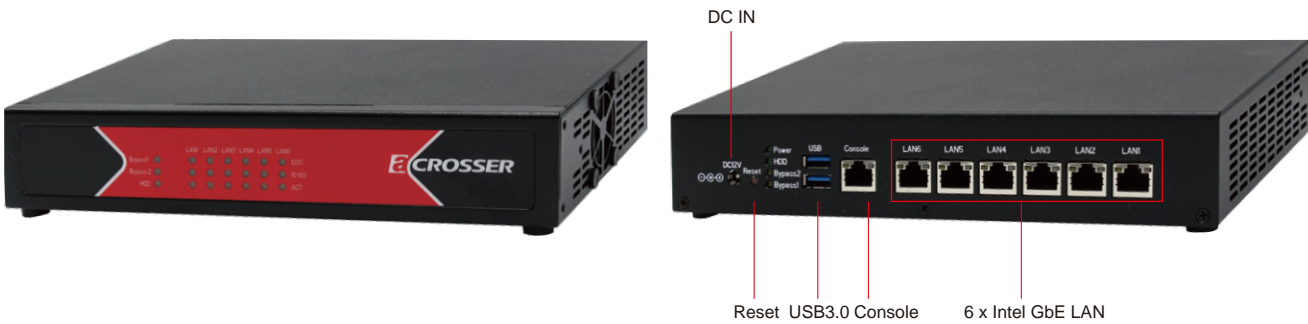
I/O

Console Port	1 x Console (RJ45)
USB	2 x USB 3.0
USB	2 x USB 2.0 (internal pin header)
GPIO	8-bit GPIO (4-In, 4-Out) internal pin header

Dimension



I/O Connectors



Packing List

- 1 x AND-G420N1 System
- 1 x Console Cable
- 1 x Quick User Manual
- 1 x CD with Driver and Manual
- 1 x Power Adaptor
- 1 x Power Cord (Option for US/EU/UK/JPN)
- 1 x Screw Pack
- 1 x Pull-tab Opener

Ordering Information

AND-G420N1 Networking Microbox, AMD® G-Series GX-420MC, 6 x Intel GbE LAN (2-pair bypass)

AES-APL1E2FL

Fanless Embedded System for Network Control, Intel Apollo Lake N4200, PoE+



Features

- Intel® Apollo Lake N4200, Pentium 4-core @2.5GHz SoC
- Support DDR3L-1866 Memory
- 1 x SSD Bay (SATA III)
- 2 x GbE Copper
- 12V DC-IN or PoE+ (PD mode, 802.3at compliant)
- Fanless design



CE FCC

Specification

System

CPU	Intel® Apollo Lake N4200, Pentium 4-core @2.5GHz SoC
Memory	1 x DDR3L-1866 SO-DIMM

Video

Graphic Controller	Intel® HD Graphics 505
--------------------	------------------------

Storage

HDD Bay	1 x 2.5" SATA III HDD Bay
---------	---------------------------

I/O

Ethernet	2 x GbE Copper (RJ45), Intel i211-AT chipset
LAN Bypass	N/A
PoE port	1 x PoE+(PD mode, 802.3at compliant) via LAN 1
Console Port	1 x Serial Console (RJ45)
USB	1 X USB 3.0

Others

WatchDog Timer	1~255 sec. software programmable(0=Disable)
----------------	---

Power Requirement

Power Input	12V DC-IN or PoE+ (PD mode, 802.3at compliant)
-------------	--

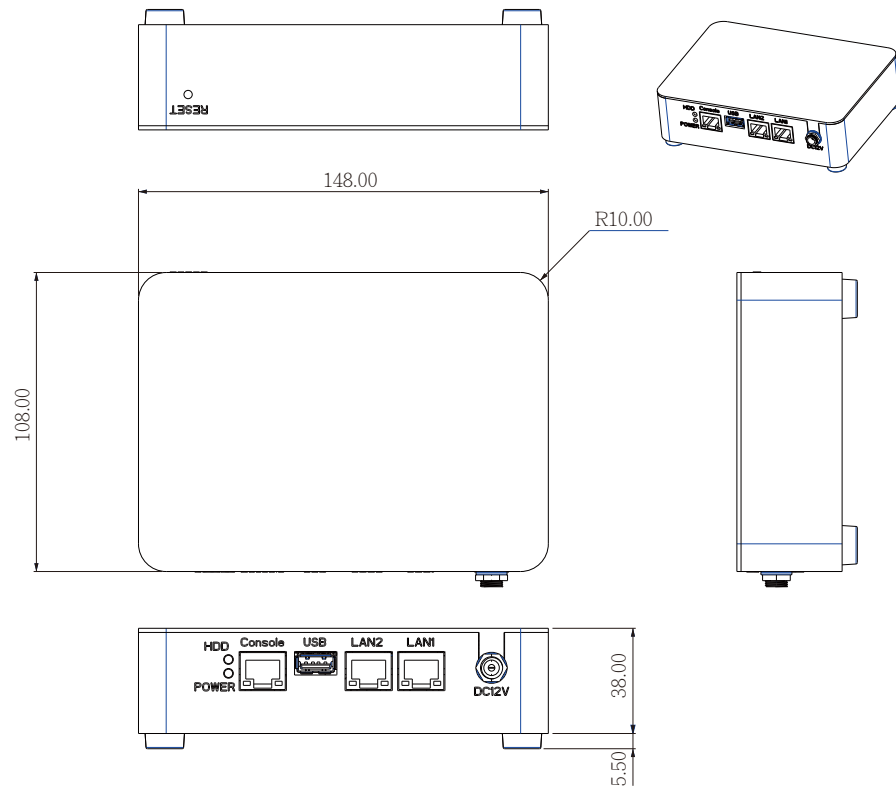
Software

OS Support	Linux Kernel to 4.4 or above, (64-bit)
------------	--

Mechanical & Environment

Thermal Design	Fanless
Dimension	148(W) x 38(H) x 108(D)mm (5.83" x 1.49" x 4.26")
Operating Temp.	0~40°C
Storage temp.	-40~80°C (-40~176°F)
Relative Humidity	0~90%, non-condensing
Safety	CE, FCC class A
Weight	TBD

Dimensions



I/O Connectors



Packing List

- 1 x AES-APL1E2FL Screw pack(2.5"HDD bracket: 8 pcs)
- 1 x User Guide CD with driver
- 1 x Screw pack(2.5"HDD bracket: 8 pcs)

Ordering Information

AES-APL1E2FL

Fanless Embedded System for Network Control
Intel® Apollo Lake N4200 4-core SoC
12V DC-IN or PoE+ (PD mode, 802.3at)

Embedded Computer

Acrosser Embedded Computer plits into 2 categories: fanless embedded system and embedded system with fan. Through strict embedded computing technologies, Acrosser Embedded Computer products are designed for harsh environment and industrial automation controls.

Currently we provide scalable Intel Atom, Celeron, Core i, Core 2 Duo platforms to fulfill your various needs. Flexible expansions include: Mini PCIe, PCIe, PCI, Wi-Fi, 3.5G, etc. As for the OS, our embedded computer and embedded systems can perform either with Windows or Linux. The variety of optional OS leaves immense possibilities for system integrators and software programmer to develop their ideal project.

Factory Automation system

IoT-enabled Automation Solution



Digital Signage



KIOSK



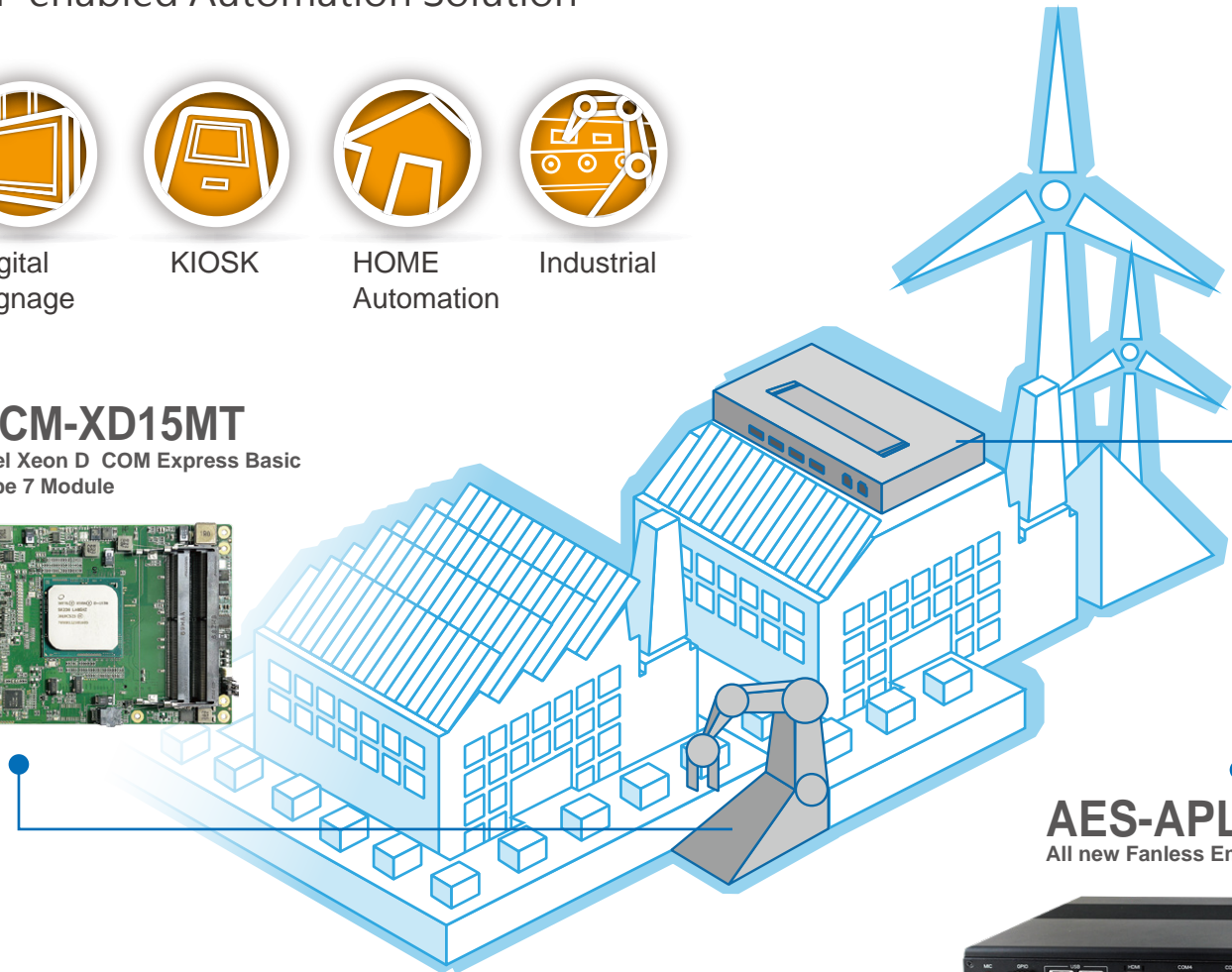
HOME Automation



Industrial

ACM-XD15MT

Intel Xeon D COM Express Basic Type 7 Module



AES-APL1E1FL

All new Fanless Embedded system



Product Matrix

Embedded System



Form Factor	Fanless Embedded System	
Model	AES-APL1E1FL	
Chipset	Intel Apollo lake	
CPU Type	Pentium N4200 Processor	
Memory	Type	2 x DDR3L 1866 MHz, SO-DIMM
	Installed / Max. Capacity	1GB / 8GB
Video	VGA	1
	HDMI	1
	LVDS	-
	TV-Out	-
Ethernet	2 x GbE RJ45	
Storage	IDE	-
	SATA	2 x SATA II
	Flash	-
I/O	Serial Port	1 x RS-232/422/485 3 x RS-232
	USB Port (ext/int)	4
	Expansion Slot	3 x mini PCIe
Operating Temp.	-25~60°C (-13~140°F)	
Page	58	

Embedded SBC



Form Factor	Mini-ITX	
Model Name	AMB-BT18T2 Series	AMB-H81T3
CPU	Intel Celeron J1800	Intel Haswell CPU Pentium /Celeron®/4 Gen Core CPU
Chipset	Intel Bay Trail SoC	Intel® H81
Memory	1 x DDR3L-1333MHz, SO-DIMM, up to 8GB	1 x DDR3-1066/1333MHz, UDIMM, up to 8GB
Graphics	Intel HD Graphics	Intel HD Graphics
Video Interface	1 x VGA, 1 x HDMI, 1 x 24-bit LVDS	1 x VGA, 1 x HDMI
E-IDE(44pin) / IDE(40pin)	- / -	- / -
SATA	1 x SATA II, 1 x mSATA	2 x SATA II, 2 x SATA III
CF	-	-
Expansion Slot	1 x mini PCIe	1 x mini PCIe
Ethernet	2 x GbE LAN	1 x GbE LAN
USB	9 x USB 2.0	2 x USB 3.0, 8 x USB 2.0
GPIO	8 x GPIO	8 x GPIO
Serial Port	4 x RS232 + 1 x RS232/RS485 + 1 x RS232/TTL	6 x RS232
Parallel Port	1	1
Audio	Realtek ALC662	Realtek ALC662
WatchDog Timer	1 ~ 255 seconds	1 ~ 255 seconds
Hardware Monitor	YES	YES
Page	60	62

Product Matrix

Embedded SBC



Form Factor	COM Express type 7
Model Name	ACM-XD15MT
CPU	Xeon® D1548(8 Core, 2.0/2.6GHz, 12MB cache, TDP 45W)
Chipset	Intel Xeon D SoC
Memory	2 x DDR4-2400MHz, SO-DIMM, up to 32GB Default configuration: 2 x 8GB
Graphics	-
Video Interface	-
E-IDE(44pin) / IDE(40pin)	-
SATA	2
CF	-
Expansion Slot	24 x PCI-e 3.0 Lanes, 7 x PCI-e 2.0 Lanes
Ethernet	2 x 10 GbE LAN
USB	4 x USB 3.0, 4 x USB 2.0
GPIO	8-bit Digital I/O, 4-bit DI and 4-bit DO
Serial Port	2 x COM Interface (TX/RX only)
Parallel Port	-
Audio	-
WatchDog Timer	0 ~ 255 seconds
Hardware Monitor	YES
Page	64

Embedded SBC



Form Factor	3.5"	ISA Half-Size
Model Name	AMB-BT19S1	AMB-VDX3H1
CPU	Intel® Celeron® J1900 2.42 GHz	Onboard DM&P Vortex86DX3 1GHz
Chipset	Intel Bay Trail SoC	-
Front Side Bus	-	-
Memory	1 x DDR3L-1333MHz, SO-DIMM, up to 8GB	Onboard 1GB DDR3 SDRAM
Graphics	Intel HD Graphic	Integrated
Video Interface	1 x VGA, 1 x 24-Bit LVDS	1 x VGA
E-IDE(44pin) / IDE(40pin)	- / -	1 x IDE(44pin) support Ultra DMA33/66/100
SATA	1 x SATA II, 1 x mSATA	1 x Sata
CF	-	1 x Compact Flash Type I/II socket
Floppy	-	-
Expansion Slot	2 x mini PCIe	1 x PC/104
Ethernet	2 x GbE LAN	1 x RJ45 10/100Mbps LAN
USB	2 x USB 3.0, 6 x USB 2.0	4(USB 2.0)
GPIO	8-bit Digital I/O	16-bit Digital I/O
Serial Port	COM1(DB9), COM1~COM5(RS232) COM6(RS232/485)	2 x RS-232, 2 x RS-232/422/485
Parallel Port	-	1 x LPT
Audio	Realtek ALC888	-
WatchDog Timer	1 ~ 255 seconds	0 ~ 255 seconds
Hardware Monitor	YES	YES
Page	65	66

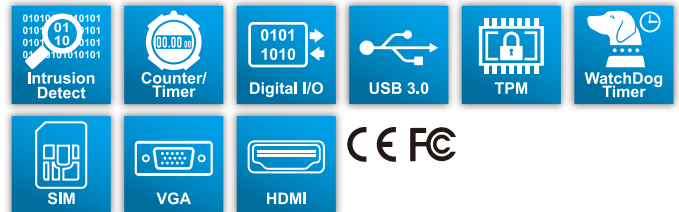
AES-APL1E1FL

Intel Pentium N4200 (Fan Less Embedded System Computer)



Features

- Rugged fan-less design
- Support New Intel Pentium / N4200 processors
- 2 x DDR3L 1866 MHz SO-DIMM, up to 8GB
- VGA & HDMI video output
- 2 x swappable 2.5" HDD bay
- TPM 1.2 / 2.0
- Variety Wireless Communication



Specification

System

CPU	Intel® Pentium™-N4200
Chipset	Intel Apollo lake SoC

Video

Graphic Controller	Intel HD Graphics 505
Video Interface	1 x VGA port (DB15) ,1 x HDMI

Storage

SATA	2 x SATA II port
Disk Bay	2 x 2.5" Disk bay with Anti-vibration/Anti-shock solution for SSD only

I/O

Expansion Slot	3 x Mini PCI-e(Reserve for Wi-Fi and 4G LTE)
Ethernet	2 x GbE RJ45, Intel i210AT
Serial Port	1 x RS-232/422/485 3 x RS-232
USB	4 X USB 3.0
GPIO	8-bit GPIO (4 In, 4 Out)
Audio	1 x MIC in 1 x Audio out
Antenna Hole	1 x SMA for GPS 1 x SMA for 4G 2 x SMA for Wi-Fi & Bluetooth
SIM	SIM Slot x 2, SIM card changeable without opening case, latch to protect SIM uncertainly touch
TPM	On-board TPM 1.2 / 2.0(Optional)

Others Feature

WatchDog Timer 1~255 sec. software programmable

Power Requirement

Power Input 12 V

Software

OS Support Windows 10 (64 bit)& Linux kernel to 4.4 or above(64 bit)

Mechanical & Environment

Dimension 260 mm x 195 mm x 62 mm

Operating Temp. -25~60°C

Vibration 5~500Hz, 2GRMS

Shock 30G ,6MS

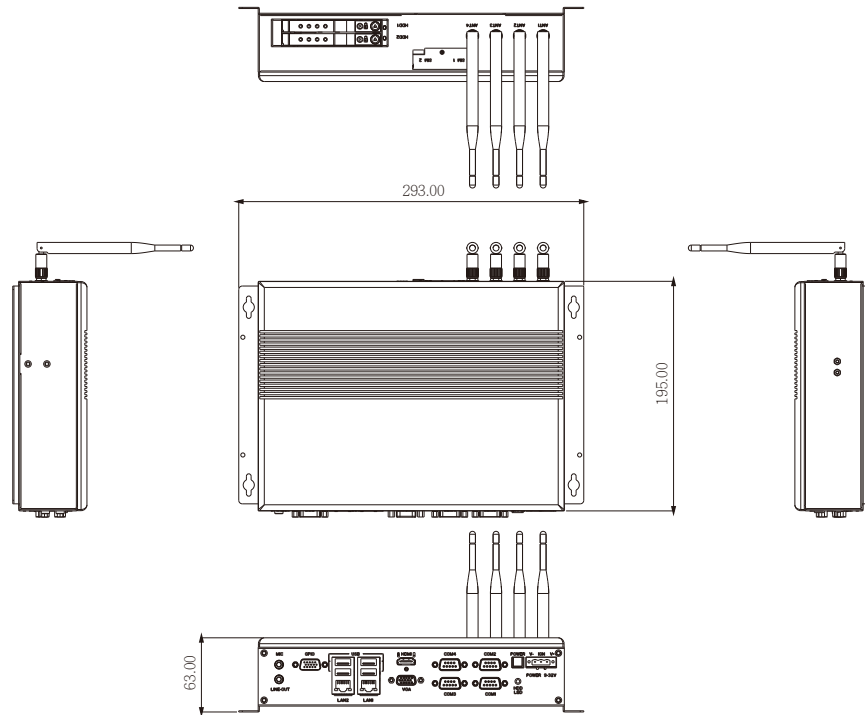
Storage temp. -40~80°C (-40~176°F)

Safety CE, FCC class B,

Power Management

Power on/off switches Power Button
RESET Button

Dimension



I/O Connectors



Packing List

- 1 x AES-APL1E1FL
- 1 x User Guide CD with driver
- 1 x Utility CD
- 1 x GPIO Cable
- 1 x Antenna for GPS (option)
- 2 x Antenna for Wi-Fi & Bluetooth (option)
- 1 x Antenna for 4G LTE (option)

Ordering Information

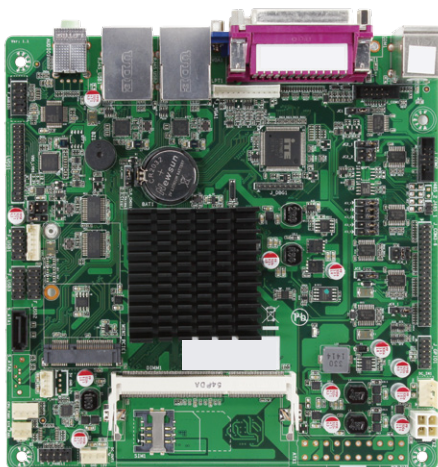
AES-APL1E1FL-PT1 AES-APL1E1FL - intel Pentium N4200

Optional Modules

EC20/EC25	Quectel 4G + GPS + Glonass module
MC7304/MC7354	Sierra 4G + GPS + Glonass module
RTL8812AEACC-01	Realtek (2T2R) Wi-Fi+BT a/b/g/n/ac
251NBT	Sparklan (2T2R) Wi-Fi+BT a/b/g/n

AMB-BT18T2

Intel Bay Trail SoC, 1 x VGA, 1 x HDMI, 1 x LVDS, 2 x GbE, 6 x COM, 9 x USB 2.0, 1 x mini PCIe, 1 x SATA II, 1 x mSATA



Features

- Intel Bay Trail SoC, low power consumption.
- 1 x DDR3L-1333MHz, SO-DIMM, up to 8GB
- 9 x USB 2.0
- 4 x RS232, 1 x RS232/485, 1 x RS232/TTL
- 2 x GbE LAN, 1 x mini PCIe, 1 x SIM slot
- 1 x SATAII, 1 x mSATA
- 12V Input
- Fanless design



CE FC

Software

OS Support Window 7 (32bit/64bit), windows 8.1 (32bit/64 bit), windows10

Mechanical & Environment

Dimension 170mm x 170mm (6.69" x 6.69")

Operating Temp. 0~60°C

Storage Temp. -20~75°C

Safety RoHS

Packing List

- AMB-BT18T2
- Quick User Guide
- Driver CD
- SATA Cable
- SATA Power Cable
- 3 x COM Cable
- VGA Cable

Ordering Information

AMB-BT18T2 Intel Celeron J1800, Dual Core, 1M cache, 2GHz (2.41GHz), 1 x VGA, 1 x HDMI, 1 x LVDS, 2 x GbE, 6 x COM, 9 x USB2.0, 1 x mini PCIe, 1 x SATA, 1 x mSATA

Specification

Specification

CPU	1. Intel® Celeron® J1800, Dual-Core, 1M Cache, 2GHz (2.41GHz), 10W(AMB-BT18T2)
Chipset	Intel Bay Trail SoC
Memory	1 x DDR3L-1333MHz, SO-DIMM, up to 8GB
BIOS	AMI UEFI BIOS
Real Time Clock	1 x System RTC

Video

Graphic Controller	Intel® HD Graphics
Video Interface	<ul style="list-style-type: none"> • 1 x VGA, resolution up to 2560x1600 @ 60Hz • 1 x HDMI, resolution up to 1920x1080 @ 60Hz • 1 x LVDS (24 Bit Dual channel LVDS, resolution up to 1920x1200 @ 60Hz)

Storage

SATA	1 x SATA II Port + 1 x mSATA
------	------------------------------

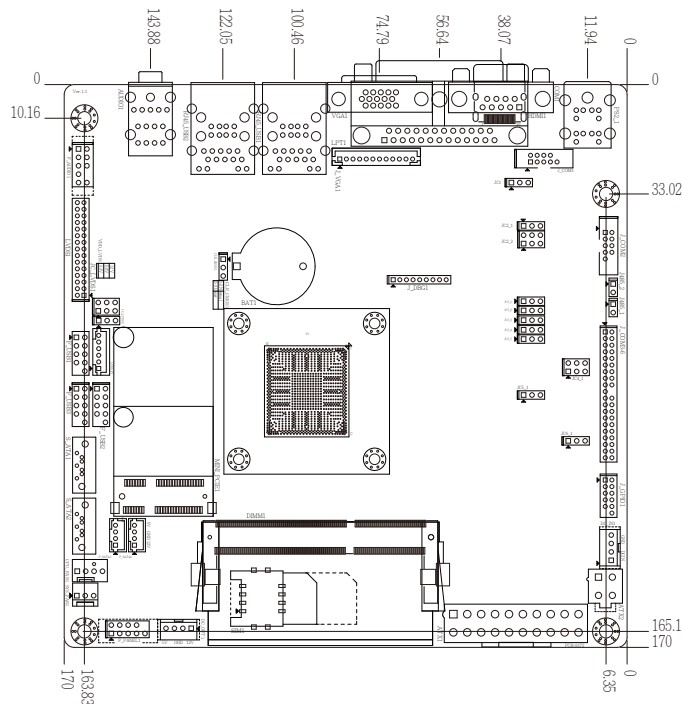
I/O

Ethernet	2 x GbE LAN
Expansion Slot	1 x mini PCIe
Ethernet Chip	2 x Realtek GbE LAN Chip (8105E/8111E)
Serial Port	4 x RS232 + 1 x RS232/RS485 + 1 x RS232/TTL
Parallel Port	1 x Parallel Port
USB	9 x USB2.0 (4XReal I/O + 5 x Pin Header.)
Audio	Realtek ALC662 5.1-channel High Definition Audio 1 x Line-out, 1 x MIC-in
GPIO	8 x GPIO
Keyboard	1 x PS/2 connector for Key Board/Mouse
SIM	1 x SIM slot

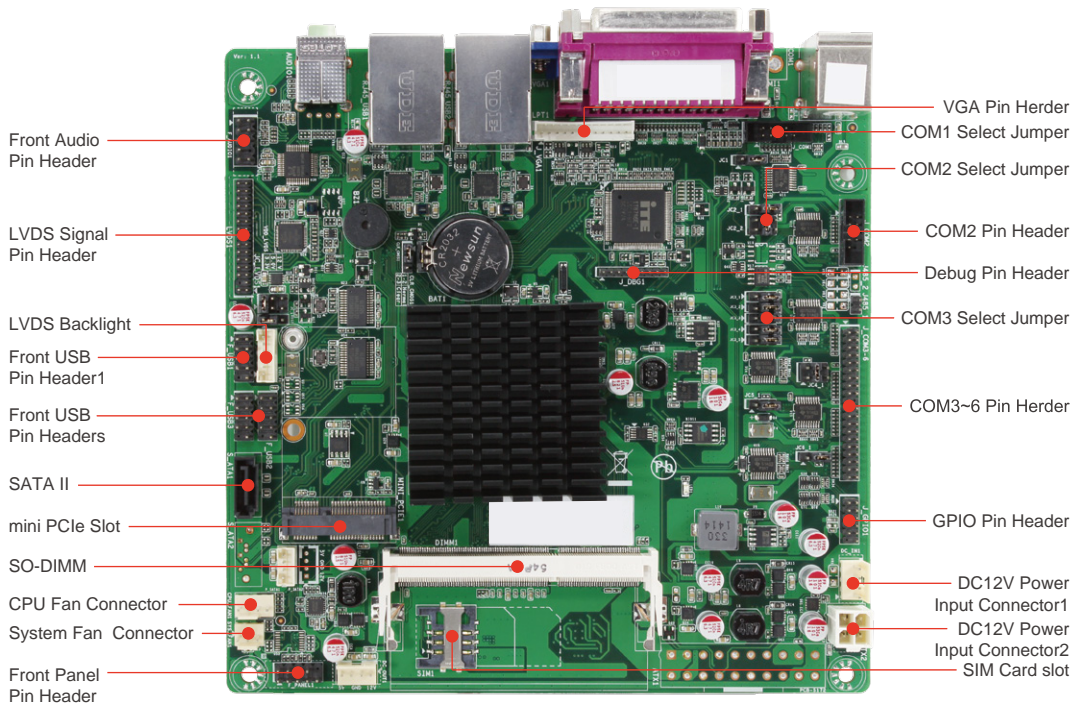
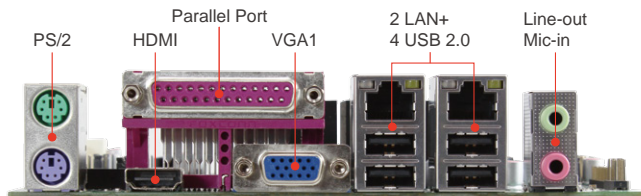
Power Requirement

Power Input	2 x 4-Pin AT power connector
Power Output	DC 12V/5V power output Connector, System Fan & CPU Fan connector

Dimension

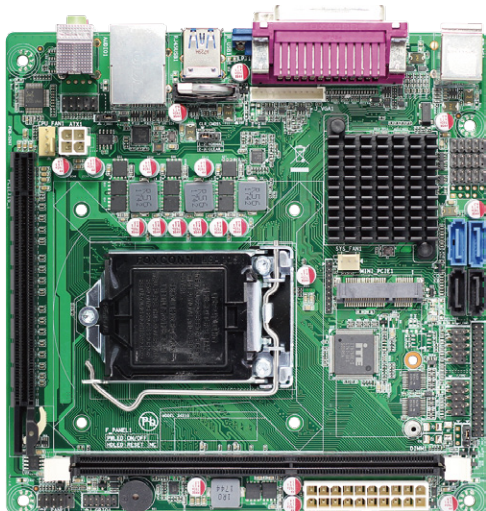


I/O Connectors



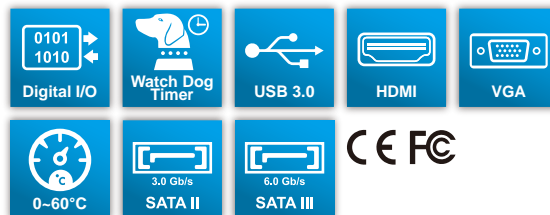
AMB-IH81T3

Intel® H81 Chipset with Haswell CPU Pentium®/ Celeron®/4th Generation Core i3/5/7,
1 x GbE, 6 x COM, 8 x USB2.0, 2 x USB3.0, 1 x PCIe x16, 1 x mini PCIe,



Features

- 1 x DDR3-1066/1333MHz, UDIMM, up to 8GB
- 1 x PCIe [16X]
- 1 x Mini PCIe,
- 1x GbE, 6 x COM
- 2 x USB 3.0, 8 x USB 2.0
- 2 x SATA 3.0, 2 x SATA 2.0



Specification

Specification

CPU	Intel® Haswell CPU Pentium®/Celeron®/4 th Gen Core CPU i3/5/7 Support Intel LGA1150 socket
Chipset	Intel® H81
Memory	1 x DDR3-1066/1333MHz, UDIMM, up to 8GB
BIOS	AMI UEFI BIOS

Video

Graphic Controller	Intel® HD Graphics
Video Interface	1 x VGA, 1 x HDMI

Storage

SATA	2 x SATA 2.0 Port + 2 x SATA 3.0 Ports
------	--

I/O

Expansion Slot	<ul style="list-style-type: none"> • 1 x PCIe Gen2 [16X] slot • 1 x Mini PCIe (PCIe + USB signal)
Ethernet	1 x GbE LAN
Ethernet Chip	1 x Realtek PCIe NIC RTL8105E
Serial Port	<ul style="list-style-type: none"> • 6 x RS232 ,(COM2: RS485 optional)
USB	<ul style="list-style-type: none"> • 6 x Header(USB2.0) • 2 x Rear I/O(USB2.0) • 2 x Rear I/O(USB3.0/USB2.0)
GPIO	8-bit Digital I/O
Audio	Realtek ALC662 5.1 Channel HDA Code 1 x MIC-in, 1 x Line out
Parallel Port	1 x Parallel Port
Keyboard	1 x PS/2 Header for Key Board/Mouse

Hardware Feature

WatchDog Timer	Software programmable from 1~255 seconds
----------------	--

Power Requirement

Power Input	ATX PSU
Power Output	System Fan & CPU Fan connector

Software

OS Support	Windows 7 (32bit/64bit), Windows 8.1(32bit/64 bit), Windows 10 (32bit/64 bit)
------------	--

Mechanical & Environment

Dimensions	170mm x 170mm (6.69" x 6.69")
Weight	TBD
Operating Temp.	0~60°C
Storage Temp.	-20~ 70°C
Relative Humidity	5 to 90% , non-condensing
Safety	RoHS

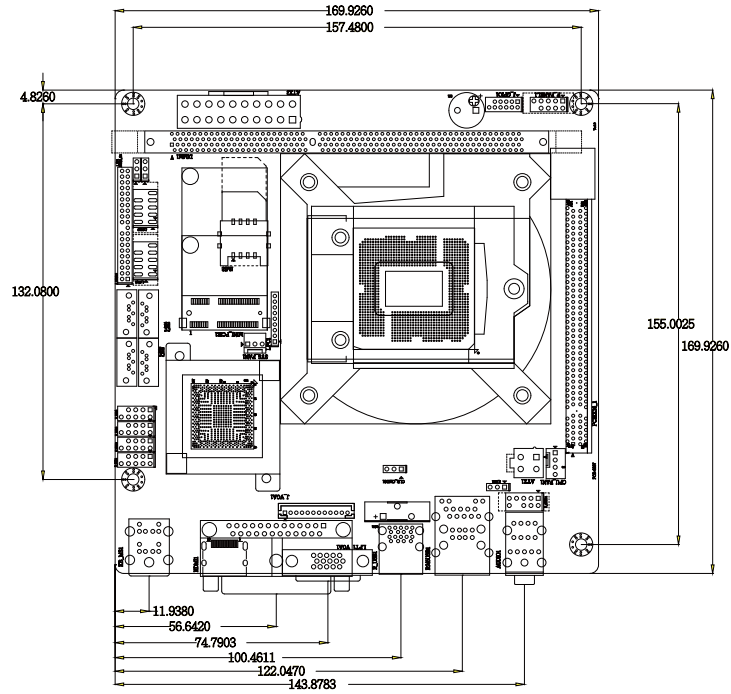
Packing List

- 1 x AMB-H81T3 M/B
- 1 x SATA cable
- 1 x SATA power cable
- 2 x COM cable
- 1 x 1 to 4 COM cable
- 1 x Driver CD
- 1 x Quick Guide
- 1 x I/O Shielding

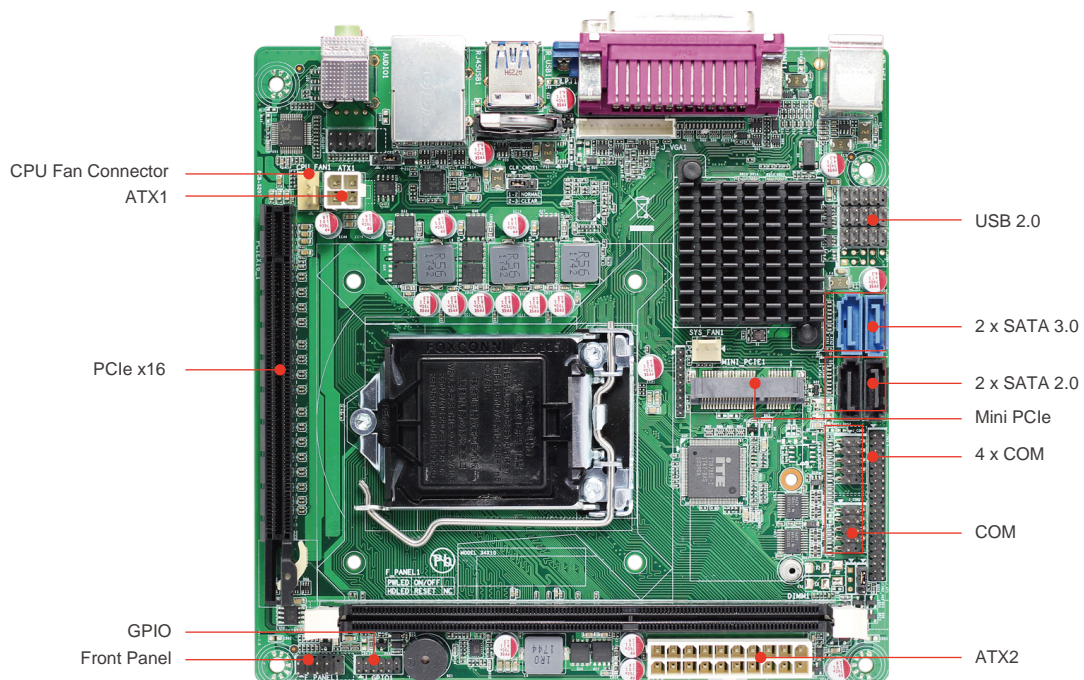
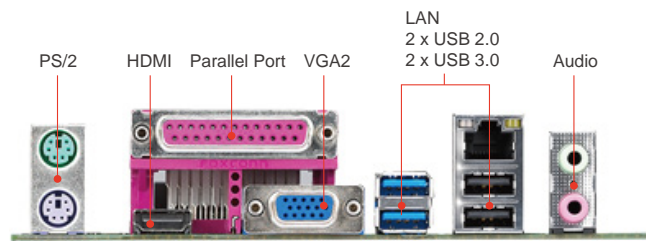
Ordering Information

AMB-IH81T3	Intel® H81 Chipset with Haswell CPU, 1 x GbE, 6 x COM, 8 x USB2.0, 2 x USB3.0, 1 x PCIe x16,1 x Mini PCIe,
------------	--

Dimensions

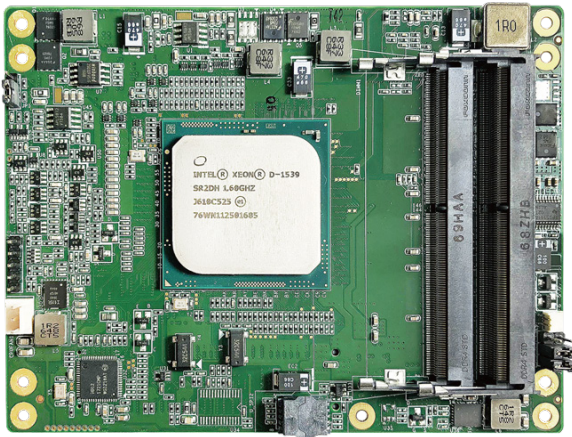


I/O Connectors



ACM-XD15MT

Intel Xeon D COM Express Basic Type 7 Module



Features

- Newest platform and highest performance COM Express Basic Type 7
- The Intel Xeon D Processor
- Xeon® D1548 2.0/2.6GHz 12MB(8 core)
- Support Two DDR4 ECC SODIMM , up to 32GB
- 32 PCI-e Lanes
- 2 x 10 GbE KR & NC-SI



Specification

System

CPU	Xeon® D1548 (8 Core, 2.0/2.6GHz, 12MB cache, TDP 45W)
Chipset	Integrated in SoC processor
Memory	2 x 2400 DDR4 SODIMM(Support ECC function) up to 32GB Default configuration: 2 x 8GB
BIOS	AMI
WatchDog Timer	Software programmable 1~255 sec

Storage (Support by Carrier Board)

SATA	• 2 x SATA III with 6Gb/s
------	---------------------------

I/O (Support by Carrier Board)

Ethernet Chip	1 x Intel I210AT GbE Lan, supports PXE Boot 2 x 10 GbE with KR interface & NC-SI
Expansion Interface	24 x PCI-e 3.0 Lanes • 1 x PCI-e 3.0 x16 (or 2 x PCI-e x 8) • 1 x PCI-e 3.0 x 8 7 x PCI-e 2.0 Lanes • 6 x PCI-e 2.0 x1(AB connector) • 1 x PCI-e 2.0 x1(CD connector)
Serial Interface	2 x COM port Interface (TX/RX only)
USB	4 x USB 3.0, 8 x USB 2.0
GPIO	8-bit Digital I/O, 4-bit DI and 4-bit DO
Audio Codec	Intel HD Audio Channel
Software	OS Support • Linux Kernel 4.9 & above

Mechanical & Environment

Dimension	125 mm x 95 mm (4.92" x 3.74") COM Express Basic
Weight	TBD
Operating Temp.	0~60°C (32~140°F)
Storage Temp.	-20~80°C (-4~176°F)
Relative Humidity	0 to 90%, non-condensing
Safety	CE, FCC compliant

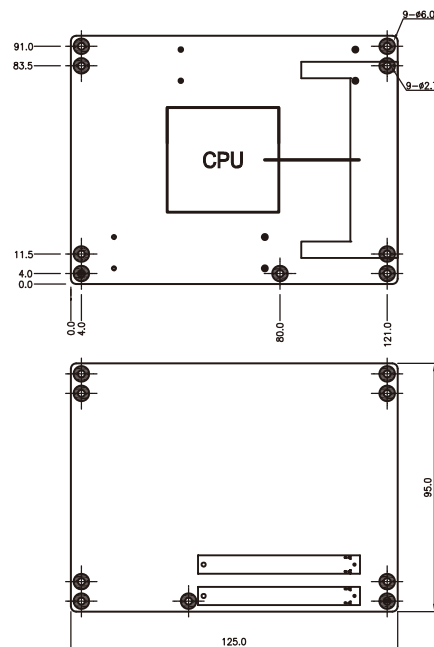
Packing List

- 1 x ACM-XD15MT
- 1 x CD Title
- 1 x Quick Guide

Ordering Information

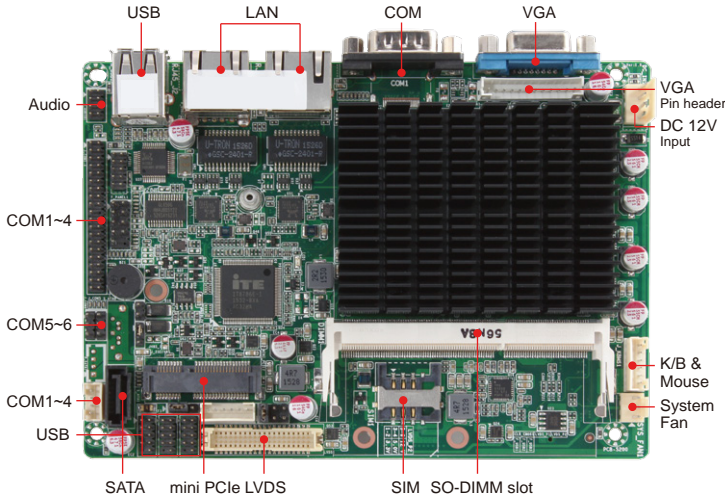
ACM-XD15MT	Intel Xeon D 1548 , COM Express Basic Type 7 Module
------------	---

Dimension



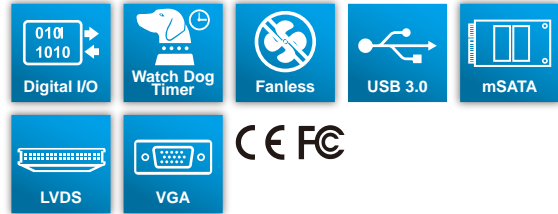
AMB-BT19S1

3.5" SBC Intel Bay Trail SoC, 1 x VGA, 1 x LVDS, 2 x GbE, 6 x COM, 8 x USB, 2 x mini PCIe, 1 x SATA II, 1 x mSATA



Features

- Intel Bay Trail SoC, low power consumption.
- 1 x DDR3L-1333MHz, SO-DIMM, up to 8GB
- 8 x USB port(2 x USB 3.0, 6 x USB 2.0), 6 x COM
- 2 x GbE LAN, 2 x mini PCIe, 1 x SIM slot
- 1 x SATA II, 1 x mSATA
- 12V Input
- Fanless design



Mechanical & Environment

Dimension	146 x 105 mm (5.7" x 4")
Operating Temp.	0~60°C
Storage Temp.	-20~75°C
Safety	RoHS

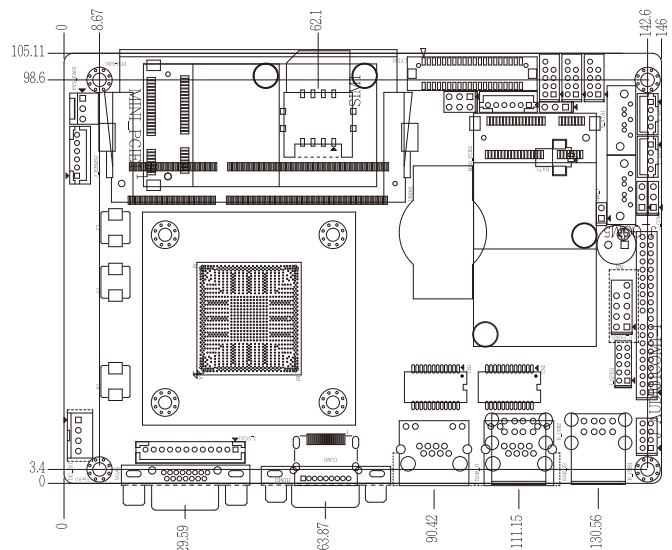
Packing List

- AMB-BT19S1
- Quick User Guide
- Driver CD
- SATA Cable

Ordering Information

AMB-BT18S1	Intel Celeron J1800, Dual Core, 1M cache, 2GHz (2.41GHz), 10W (2 x LAN, 6 x COM)
AMB-BT19S1	Intel Celeron J1900, Quad Core, 2M cache, 2GHz (2.41GHz), 10W (2 x LAN, 6 x COM)
AMB-BT15S1	Intel Atom E3815, Single Core, 0.5M cache, 1.46GHz, 5W (2 x LAN, 6 x COM)
AMB-BT45S1	Intel Atom E3845, Quad Core, 2M cache, 1.91GHz, 10W (2 x LAN, 6 x COM)

Dimension



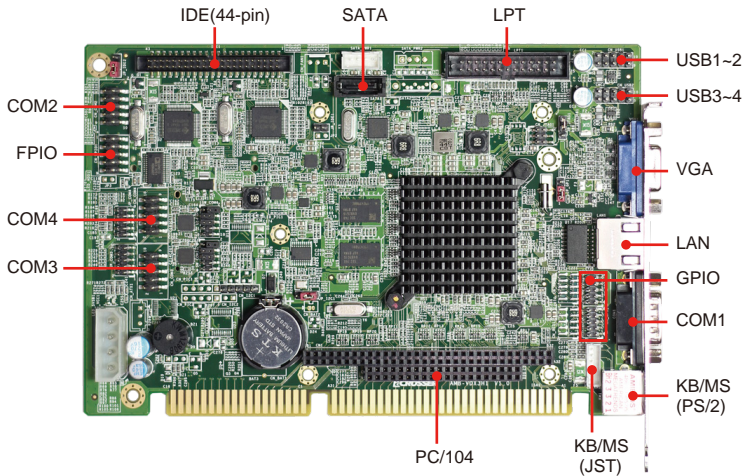
Specification

Specification

CPU	<ol style="list-style-type: none"> 1. Intel® Celeron® J1800, Dual-Core, 1M Cache, 2GHz (2.41GHz), 10W(AMB-BT18S1) 2. Intel® Celeron® J1900, Quad-Core, 2M Cache, 2GHz (2.41GHz), 10W(AMB-BT19S1) 3. Intel® Atom™ E3815, Single-Core, 0.5M Cache, 1.46GHz, 5W (AMB-BT15S1) 4. Intel® Atom™ E3845, Quad-Core, 2M Cache, 1.91GHz, 10W (AMB-BT45S1)
Chipset	Intel Bay Trail SoC
Memory	1 x DDR3L-1333MHz, SO-DIMM, up to 8GB (AMB-BT19S1)
BIOS	AMI UEFI BIOS
Video	
Graphic Controller	Intel® HD Graphics
Video Memory	Shared Memory
Video Interface	<ul style="list-style-type: none"> • 1 x VGA (Resolution up to 2560 x 1600 @ 60Hz) • 1 x LVDS (24-Bit Dual channel LVDS, Resolution up to 1920x1200 @ 60Hz)
Storage	
SATA	1 x SATA II Port + 1 x mSATA
I/O	
Ethernet	2 x GbE LAN(Optional)
Expansion Slot	2 x mini PCIe
Ethernet Chip	2 x Realtek GbE LAN Chip
Serial Port	<ul style="list-style-type: none"> • COM1(DB9 connector) • COM6(RS232/485) • COM1~COM5 x RS232 2.0 pitch pin header
USB	• 8 x USB port(2 x USB 3.0, 6 x USB 2.0)
GPIO	8 bit Digital I/O
Audio	Realtek ALC888 5.1-channel High Definition Audio 1 x Line in, 1 x Line out
Keyboard	1 x PS/2 Header for Key Board/Mouse
SIM	1 x SIM slot
Power Requirement	
Power Input	4-Pin power connector
Power Output	1 x System FAN 3-Pin Power connector
Software	
OS Support	Windows 7 (32 bit/64 bit), Windows 8.1 (32 bit/64 bit) Linux (by request)

AMB-VDX3H1

Fanless ISA Bus DM&P Vortex86DX3 Dual core 1GHz SBC



Features

- Fanless Design
- Onboard DM&P Vortex86DX3 800MHz 1GHz dual core
- Onboard 1GB DDR3 SDRAM
- IDE, CF, SATA
- PC/104 & ISA Interface
- 4 x COM, 4 x USB 2.0, VGA, 1 xRJ45 10/100 Mbps LAN



Specification

System

CPU	Onboard DM&P Vortex86DX3 1GHz, dual core
Memory	Onboard DDR3 1GB SDRAM
BIOS	AMI
WatchDog Timer	Software programmable 0~255 sec.(0=disable)

Video

Graphic Controller	Integrated
Video Memory	shared with main memory(16/32MB)
Video Interface	1 x VGA (DB15)

Storage

IDE	1 x IDE (44-pin)
SATA	1 x SATA
CF	1 x CF Card

I/O

Ethernet	1 xRJ45 10/100 Mbps LAN
Expansion Slot	1 x PC/104, 1 x ISA gold finger
Serial Port	• 2 x RS-232 (1 x DB9) • 2 x RS-232/422/485 (Pin header)
USB	4 x USB 2.0 (4 x pin header)
GPIO	16-bit Digital I/O
Parallel Port	1 x LPT (1 x pin header)
Keyboard/Mouse	• 1 x PS/2 • 1 x JST

Power Requirement

Power Input	AT:5V + 12V input
-------------	-------------------

Software

OS Support	Windows XP, Wince 6.0, Windows 7 (32 bits)DOS,
------------	--

Mechanical & Environment

Dimension	185mm x 122mm (7.29" x 4.81")
Operating Temp.	0~60°C (32~140°F)
Storage Temp.	-20~80°C (-4~176°F)
Relative Humidity	0 to 90% @40°C, non-condensing
Safety	CE, FCC compliant

Packing List

- 1 x AMB-VDX3H1
- 1 x Quick user guide
- 1 x Driver CD

Ordering Information

AMB-VDX3H1	1 x AMB-VDX3H1 (1GB Memory, 2 x RS232 + 2 x RS232/RS422/ RS485) 1 x Quick User Guide 1 x Utility CD
AMB-VDX3H1A	1 x AMB-VDX3H1A (1GB Memory, 2 x RS232) 1 x Quick User Guide 1 x Utility CD
AMB-VDX3H1B	1 x AMB-VDX3H1B (512MB Memory, 2 x RS232 + 2 x RS232/RS422/ RS485) 1 x Quick User Guide 1 x Utility CD
AMB-VDX3H1C	1 x AMB-VDX3H1C (512MB Memory, 2 x RS232) 1 x Quick User Guide 1 x Utility CD
Accessory	ACC-VDX3H1: 1 x 44-pin IDE cable 1 x Parallel port + DB9 cable w/bracket 1 x 2 port USB cable w/bracket 1 x KB/MS Y-cable

Panel PC

Industrial Fanless Panel PC (PPC), Human Machine Interface (HMI) and Industrial Touch Screen PC / Stainless Panel PC range include Intel Atom, Celeron, Core 2 Duo, Core i. NEMA 4, IP65 enclosure with size of 5.7", 8", 10.4", 12.1", 15", 17" and 21" with touch screen. These panel PCs (Panel Computers) are designed specifically for industrial panel PC application such as industrial automation HMI, in vehicle, kiosk, digital signage, beverage and medical. Outstanding features of these industrial panel PCs include flat bezel, stainless steel, water proof and ultra slim. Open frame industrial PCs are also designed for flexibility.

Industrial Automation HMI

Human Machine Interface (HMI) and Industrial Touch Screen PC Solution



Fanless



FCC Class B
CE E-Mark



AR-PA807~817(P)FL

Intel Bay Trail N2930
7"/8"/10.1"/12.1"/15" /17" /21"
Industrial Compact Size Panel PC

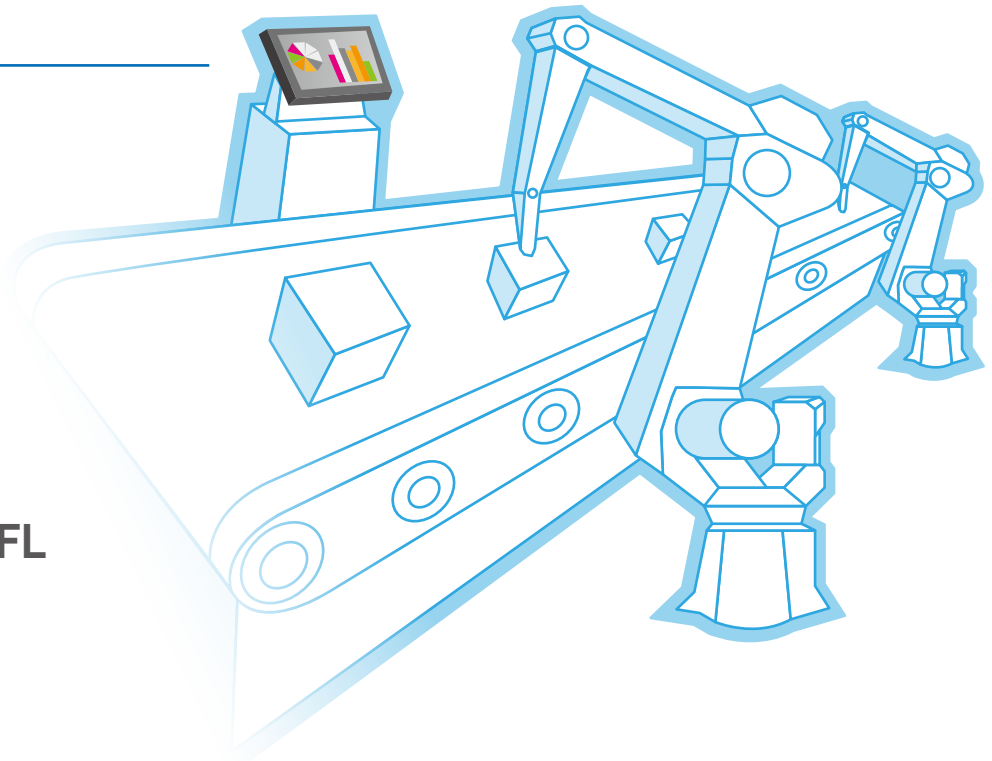


Table of Contents

Panel PC

CPU	LCD Size	Feature	Casing	Model Name	Page
Intel Bay Trail Atom Celeron N2930	7"	Industrial Panel PC	Aluminum Front / Metal Chassis	AR-PA807(P)FL	70
Intel Bay Trail Atom Celeron N2930	8"	Industrial Panel PC	Aluminum Front / Metal Chassis	AR-PA808(P)FL	71
Intel Bay Trail Atom Celeron N2930	10"	Industrial Panel PC	Aluminum Front / Metal Chassis	AR-PA810(P)FL	72
Intel Bay Trail Atom Celeron N2930	12"	Industrial Panel PC	Aluminum Front / Metal Chassis	AR-PA812(P)FL	73
Intel Bay Trail Atom Celeron N2930	15"	Industrial Panel PC	Aluminum Front / Metal Chassis	AR-PA815(P)FL	74
Intel Bay Trail Atom Celeron N2930	17"	Industrial Panel PC	Aluminum Front / Metal Chassis	AR-PA817(P)FL	75
Freescale I.MX6 DualLite	10"	Industrial Panel PC	Stainless steel enclosure	APC-MX610FL/GFL/PFL	76
Freescale I.MX6 DualLite	12"	Industrial Panel PC	Stainless steel enclosure	APC-MX612FL/GFL/PFL	76
Freescale I.MX6 DualLite	15"	Industrial Panel PC	Stainless steel enclosure	APC-MX615FL/GFL/PFL	76
Intel Celeron N2930	10"	Industrial Panel PC	Stainless steel enclosure	APC-MX810FL/GFL/PFL	78
Intel Celeron N2930	12"	Industrial Panel PC	Stainless steel enclosure	APC-MX812FL/GFL/PFL	78
Intel Celeron N2930	15"	Industrial Panel PC	Stainless steel enclosure	APC-MX815FL/GFL/PFL	78

AR-PA807~808(P)FL-N2930

Features

- 7"/8"/10.1"/12.1"/15" Industrial Compact Size Panel PC
- Flat front panel touch screen
- Fanless design
- Intel Bay Trail N2930(1.83GHz) CPU for option
- Onboard 4GB DDR3L-1600MHz / 4GB(option)
- 9~36VDC wide-ranging power input
- IP65 compliant front panel
- Optional projected capacitive touchscreen support 7H anti-scratch surface



Specification

Model Name	AR-PA807(P)FL-N2930	AR-PA808(P)FL-N2930
System		
CPU	Onboard Intel Bay Trail N2930(1.83GHz) Processor for option	
System Chipset	Intel Bay Trail SoC	
System Memory	Onboard 4GB DDR3L-1600MHz / 4GB(option)	
Display		
Display Type	7"	8"
Max. Resolution	800 x 480	800 x 600
Max. Color	262 K	262 K
Luminance (cd/m ²)	350	350
Contrast Ratio	400 : 1	500 : 1
View angle(H°/V°)	H:140° / V:110°	H:140° / V:125°
Backlight Lifetime	40,000(hrs)	40,000(hrs)
Touch screen - Resistive Touch Window Type		
Type	Resistive Touch Windows	
Interface	USB	
Light Transmission	Resistive Touch Windows: 80%	
Touch screen - Projected Capacitive Type		
Type	Projected Capacitive Touch(For P Model)	
Interface	USB	
Light Transmission	Projected Capacitive Touch: 90%	
I/O Port		
USB	1 x USB 2.0 type A + 1 x USB 3.0 type A	
Serial/Parallel	1 x RS-232 DB-9(COM2) + 1 x DB-9 RS-232/422/485 (Default RS-232)(COM1)	
Audio/HDMI	1 x Audio Line Out / 1 x HDMI Port (reserved, no printing)	
LAN	2 x GbE LAN RJ-45	
Power	1 x 3-pin Terminal Block DC Power input + 1 x 2-pin connector for power on/off button	
Storage		
HDD	1 x SATA MO-297 SSD bay (Easy Accessible)	
Movable device	1 x SD card slot, up to 32GB	
Expansion		
On board expansion bus	1 x Internal mini PCIe slot (full size)	
Power Requirement		
Power Input	9~36V DC	
Power Consumption	Max:14.1W / 13.7W(P)	Max:10.8W / 13.9W(P)
Software		
OS Support	Windows Embedded Compact 7, Windows Embedded Standard 7, Windows Embedded 8 Standard, Windows Embedded 8.1 Industry Windows 10 IoT Enterprise 2015 LTS13	

Mechanical

Color	RAL 9007		
Construction	Aluminum Die-casting Front Bezel and Chassis		
Mounting	Panel Mounting, VESA 75 x 75		
Dimension (mm)	202 x 149 x 40		231 x 176 x 50
Net Weight (KG)	1.2 Kg		1.9 Kg

Environmental

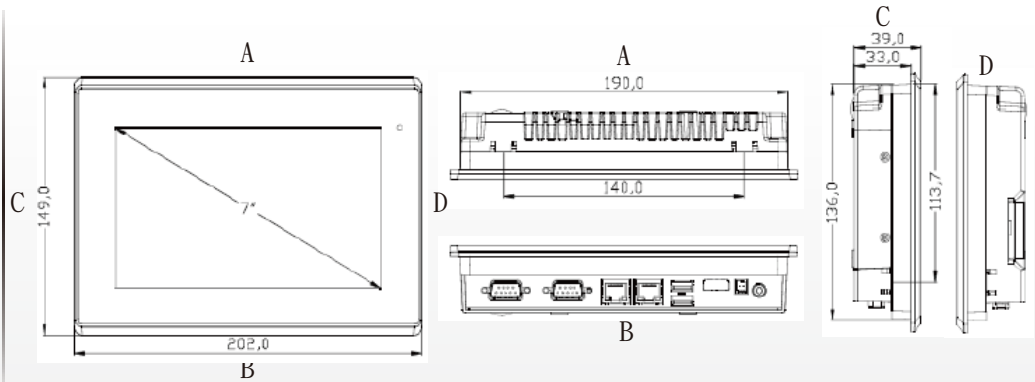
Operating temperature(°C)	0~50°C
Storage temperature(°C)	-20~60°C
Storage humidity	10 to 90% @ 40°C, non- condensing
Certification	CE, FCC CLASS A, CB, UL

Ordering Information

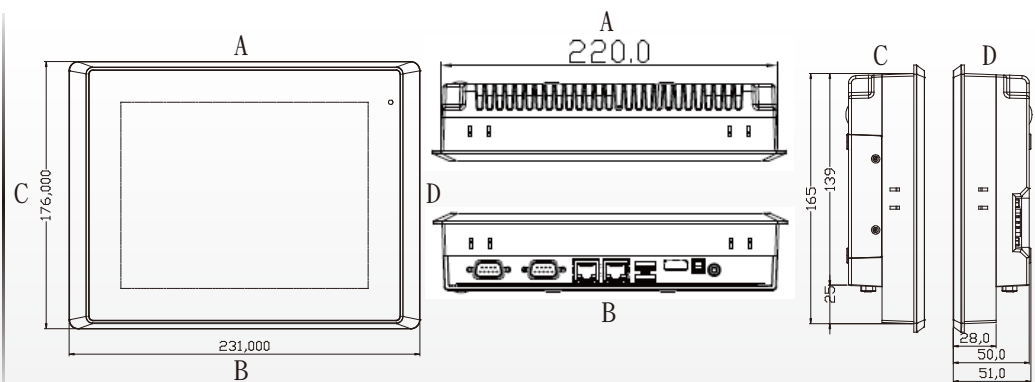
AR-PA807(P)FL	7" WVGA Fanless HMI barebone with Intel N2930 CPU, 4GB DDR3L RAM, Resistive touch screen, 9~36V DC input with adapter / Projected Capacitive touch screen, Aluminum chassis
AR-PA808(P)FL	8" SVGA Fanless HMI barebone with Intel N2930 CPU, 4GB DDR3L RAM, Resistive touch screen, 9~36V DC input with adapter / Projected Capacitive touch screen, Aluminum chassis

Dimension

AR-PA807(P)FL



AR-PA808(P)FL



AR-PA810~812(P)FL-N2930

Features

- 7"/8"/10.1"/12.1"/15" Industrial Compact Size Panel PC
- Flat front panel touch screen
- Fanless design
- Intel Bay Trail N2930(1.83GHz) CPU for option
- Onboard 4GB DDR3L-1600MHz / 4GB(option)
- 9~36VDC wide-ranging power input
- IP65 compliant front panel
- Optional projected capacitive touchscreen support 7H anti-scratch surface



Specification

Model Name	AR-PA810(P)FL-N2930	AR-PA812(P)FL-N2930
System		
CPU	Onboard Intel Bay Trail N2930(1.83GHz) Processor for option	
System Chipset	Intel Bay Trail SoC	
System Memory	Onboard 4GB DDR3L-1600MHz / 4GB(option)	
Display		
Display Type	10.1"	12.1"
Max. Resolution	1280 x 800	800 x 600
Max. Color	262 K	262 K
Luminance (cd/m ²)	350	450
Contrast Ratio	800 : 1	800 : 1
View angle(H°/V°)	H:160° / V:160°	H:160° / V:140°
Backlight Lifetime	40,000 (hrs)	50,000 (hrs)
Touch screen - Resistive Touch Window Type		
TS Control IC	Resistive Touch Windows	
Interface	USB	
Light Transmission	Resistive Touch Windows: 80%	
Touch screen - Projected Capacitive Type		
TS Control IC	Projected Capacitive Touch(For P Model)	
Interface	USB	
Light Transmission	Projected Capacitive Touch: 90%	
I/O Port		
USB	1 x USB 2.0 type A + 1 x USB 3.0 type A	
Serial/Parallel	1 x RS-232 DB-9(COM2) + 1 x DB-9 RS-232/422/485 (Default RS-232)(COM1)	
Audio/HDMI	1 x Audio Line Out / 1 x HDMI Port (reserved, no printing)	
LAN	2 x GbE LAN RJ-45	
Power	1 x 3-pin Terminal Block DC Power input + 1 x 2-pin connector for power on/off button (Only for AR-PA810(P)FL, AR-PA812(P)FL, and AR-PA815(P)FL)	
Option	2 x RS-232 DB-9 + 1 x mini PCIe slot via TB-528C2ME1 / 2 x CAN bus via TB-528CAN2 / 2 x USB 2.0 type A Via TB-528U2 2 x USB 2.0 type A + 1 x mini PCIe slot + 1 x RS-232 DB-9 via TB-528C1U2P1 for AR-PA812(P)FL 2 x USB 2.0 type A + 1 x mini PCIe slot + 1 x RS-232 DB-9 via TB-528C1U2 for AR-PA810(P)FL	
Storage		
HDD	1 x 2.5" SATA HDD bay for SATA HDD (Easy Accessible)	
Movable device	1 x SD card slot, up to 32GB	
Software		
OS Support	Windows Embedded Compact 7, Windows Embedded Standard 7, Windows Embedded 8 Standard, Windows Embedded 8.1 Industry Windows 10 IoT Enterprise 2015 LTS13	

Expansion

On board expansion bus 1 x Internal mini PCIe slot full size

Power Requirement

Power Input 9~36V DC

Power Consumption Max:11.2W / 14W(P) Max:14.6W / 15.2W(P)

Mechanical

Color RAL 9007

Construction Aluminum Die-casting Front Bezel and Chassis

Mounting Panel Mounting, VESA 100 x 100

Dimension (mm) 285 x 189 x 48.9 319 x 245 x 51.7

Net weight (Kg) 1.9 Kg 2.5 Kg

Environmental

Operating temperature(°C) 0~50°C

Storage temperature(°C) -20~60°C

Storage humidity 10 to 90% @ 40°C, non- condensing

Certification CE, FCC CLASS A, CB, UL

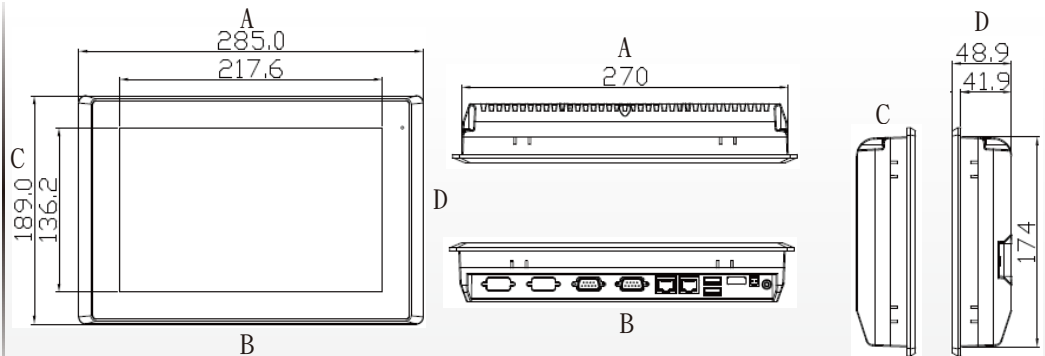
Ordering Information

AR-PA810(P)FL 10.1" WVGA Fanless HMI barebone with Intel N2930 CPU, 4GB DDR3L RAM, Resistive touch screen / Projected Capacitive touch screen, 9~36V DC input with adapter Aluminum chassis

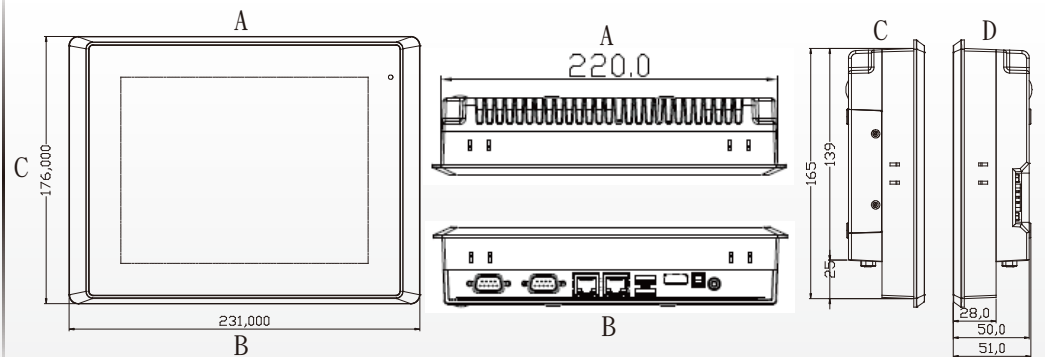
AR-PA812(P)FL 12.1" SVGA Fanless HMI barebone with Intel N2930 CPU, 4GB DDR3L RAM, Resistive touch screen / Projected Capacitive touch screen, 9~36V DC input with adapter Aluminum chassis

Dimension

AR-PA810(P)FL



AR-PA812(P)FL



AR-PA815~817(P)FL-N2930

Features

- 15"/17"/21" Industrial Compact Size Panel PC
- Flat front panel touch screen
- Fanless design
- Intel Bay Trail N2930(1.83GHz) CPU for option
- Onboard 4GB DDR3L-1600MHz / 4GB(option)
- 9~36VDC wide-ranging power input
- IP65 compliant front panel
- Optional projected capacitive touchscreen support 7H anti-scratch surface



Specification

Model Name	AR-PA815(P)FL-N2930	AR-PA817(P)FL-N2930
System		
CPU	Onboard Intel Bay Trail N2930(1.83GHz) Processor for option	
System Chipset	Intel Bay Trail SoC	
System Memory	Onboard 4GB DDR3L-1600MHz / 4GB(option)	
Display		
Display Type	15" color TFT LCD	17"
Max. Resolution	1024 x 768	1280 x 1024
Max. Color	262 K	16.2 M
Luminance (cd/m ²)	350	350
Contrast Ratio	800 : 1	1000 : 1
View angle(H°/V°)	H:160° / V:145°	H:160° / V:170°
Backlight Lifetime	50,000 hrs	30,000 hrs
Touch screen		
Type	Resistive Touch Windows / Projected Capacitive Touch(For P Model)	
Interface	USB	
Light Transmission	Resistive Touch Windows: 80% / Projected Capacitive Touch: 90%	
I/O Port		
USB	1 x USB 2.0 type A + 1 x USB 3.0 type A	
Serial/Parallel	1 x RS-232 DB-9(COM2) + 1 x DB-9 RS-232/422/485 (Default RS-232)(COM1)	
Audio/HDMI	1 x Audio Line Out / 1 x HDMI Port (Reserved, no printing)	
LAN	2 x GbE LAN RJ-45	
Power	1 x 3-pin DC Power input terminal + 1 x 2-pin connector for power on/off button	
Option	(Only for AR-PA815(P)FL, AR-PA817(P)FL) 2 x RS-232 DB-9 + 1 x mini PCIe slot via TB-528C2ME1 2 x CAN bus via TB-528CAN2 2 x USB 2.0 type A Via TB-528U2 2 x USB 2.0 type A + 1 x mini PCIe slot + 1 x RS-232 DB-9 via TB-528C1U2P1 for AR-PA815(P)FL 2 x USB 2.0 type A + 1 x mini PCIe slot + 1 x RS-232 DB-9 via TB-528C1U2P1	
Storage		
HDD	1 x 2.5" SATA HDD bay for SATA HDD (Easy Accessible)	
Movable device	1 x SD card slot, up to 32GB	
Software		
OS Support	Windows Embedded Compact 7, Windows Embedded Standard 7, Windows Embedded 8 Standard, Windows Embedded 8.1 Industry Windows 10 IoT Enterprise 2015 LTS13	

Expansion

On board expansion bus 1 x Internal mini PCIe slot (full size)

Power Requirement

Power Input 9~36V DC

Power Consumption Max:17.8W Max:20.3W / 18.1W(P)

Mechanical

Chassis Color RAL 9007

Front Bezel Metal Aluminum / Panel Mounting

Rear Panel Metal Aluminum / VESA Mount 100 x 100

IP Rating IP65 Compliant Front Panel

Dimension (mm) 410 x 310 x 54.7 412 x 277.5 x 60.4

Net Weight (KG) 4.4 Kg 4.8 Kg

Environmental

Operating temperature(°C) 0~50°C

Storage temperature(°C) -20~60°C

Storage humidity 10 to 90% @ 40°C, non- condensing

Certification CE, FCC CLASS A, CB, UL

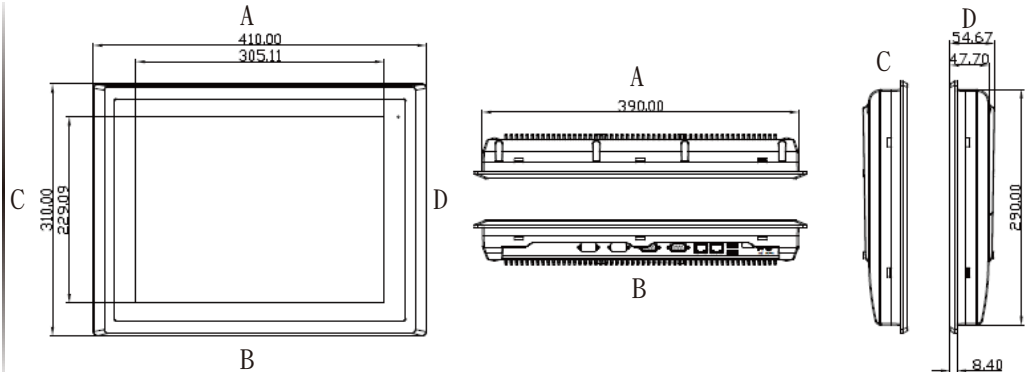
Ordering Information

AR-PA815(P)FL 15.6" WXGA Fanless HMI barebone with Intel N2930 CPU, 4GB DDR3L RAM, Resistive touch screen / Projected Capacitive touch screen, 9~36V DC input with adapter Aluminum chassis

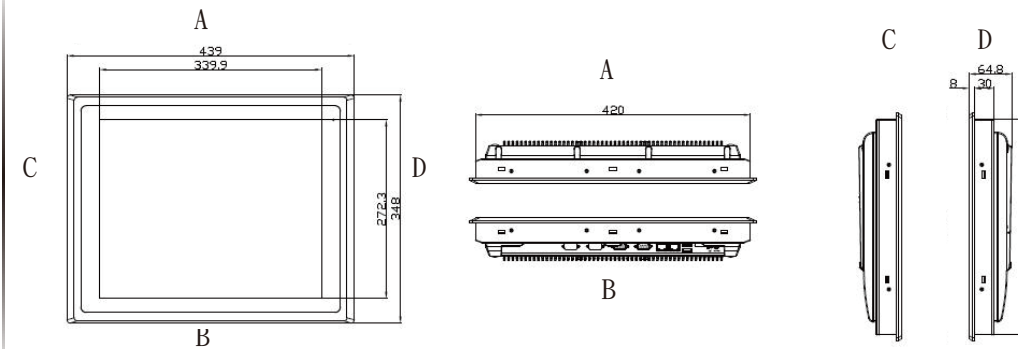
AR-PA817(P)FL 17" SXGA Fanless HMI barebone with Intel N2930 CPU, 4GB DDR3L RAM, Resistive touch screen / Projected Capacitive touch screen, 9~36V DC input with adapter Aluminum chassis

Dimension

AR-PA815(P)FL



AR-PA817(P)FL



APC-MX6XXFL/GFL/PFL

Features

- 10.1"/12.1"/15" TFT-LCD Touch.monitor (GFL w/o touch).
- Freescale I.MX6 DualLite 1.0GHz Onboard Processor.
- True Flat Front Bezel and Grade 304 Stainless Steel Enclosure (Grade 316 for Option).
- IP66/IP69K Rated with M12 Connectors.
- Touch on/off Button on the Side Edge for Hygienic Cleanin.



Specification

Model Name	APC-MX610FL / GFL / PFL	APC-MX612FL / GFL / PFL	APC-MX615FL / GFL / PFL
System			
CPU	Freescale I.MX6 DualLite ARM Cortex A9 processor 1.0GHz		
System Memory	Onboard 1GB DDR3 DRAM		
Display			
Display Type	10.1" TFT-LCD	12.1" TFT-LCD	15." TFT-LCD
Max. Resolution	1280 x 800	800 x 600 / 1024x768(optional)	1024 x 768
Max. Color	16.7 M	262K, 16.2M	16.7 M
Luminance (cd/m ²)	350	450, 500	420
Contrast Ratio	800:1	800:1, 700:1	800:1
View angle(H°/V°)	H:170° / V:170°	H:160° / V:150°, H:160° / V:140°	H:160° / V:160°
Backlight Lifetime	15,000(hrs)	50,000 / 30,000(hrs)	50,000(hrs)
Touch screen			
Type	FL: R touch / GFL: NA /PFL: P touch		
Interface	USB		
Light Transmission(%)	80%		
Storage			
HDD	Onboard 4GB eMMC NAND Flash		
I/O Port			
USB	1 x M12 8-pin for USB 2.0 with waterproof cap		
Serial/Parallel	1 x M12 8pin for COM 1, RS-232/422/485, Default RS-232, with waterproof cap		
LAN	1 x M12 8pin for LAN with waterproof cap		
Power	1 x Touch on/off button on the side		
Expansion			
On board expansion bus	1 x Mini PCIe slot for WIFI/BT (optional)		
Power Requirement			
Power Input	9~36V DC		
Power Consumption	Max:13.6W	Max:13.6W	Max: 11.8W
Software			
OS Support	Linux 3.2, Android 4.2.2		
Mechanical			
Construction	Stainless steel enclosure		
IP Rating	IP66 / IP69K		
Mounting	VESA 75 x 75, Yoke mount	VESA 75 x 75, Yoke mount	VESA 75 x 75, Yoke mount
Dimension (mm)	300 x 220 x 53	335 x 265 x 53	399 x 324 x 53
Net weight(Kgs)	3.8 kg	4.6 kg	7.1 kg

Environmental

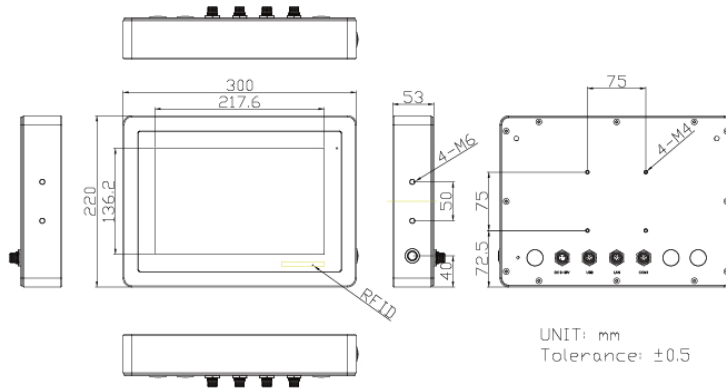
Operating temperature(°C)	-20~60°C
Storage temperature(°C)	-30~70°C
Storage humidity	10 to 90% @ 40°C, non- condensing
Certification	CE, FCC Class A,

Ordering Information

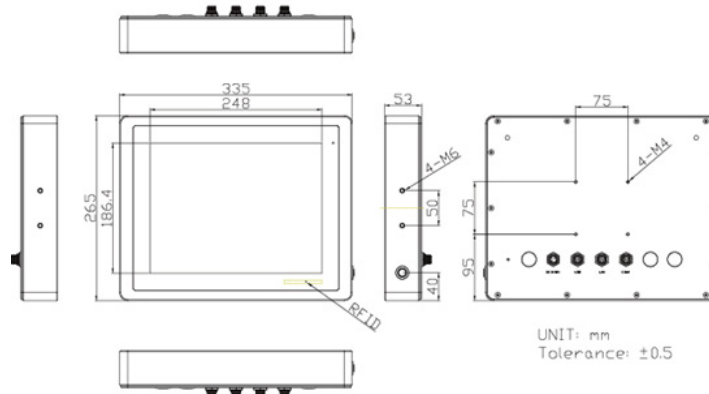
APC-MX610FL	10.1" WXGA IP66/IP69K stainless steel panel pc, Freescale i.MX6 Dual Lite ARM Cortex A9,1GB DDR3 RAM,4GB eMMC, (FL:5 wire resistive touch , PFL= projected capacitive touch , GFL: w/o touch) 9~36V DC power input with Adapter.
APC-MX612FL	12.1" SVGA IP66/IP69K stainless steel panel pc, Freescale i.MX6 Dual Lite ARM Cortex A9,1GB DDR3 RAM,4GB eMMC, (FL:5 wire resistive touch , PFL= projected capacitive touch , GFL: w/o touch), 9~36V DC power input with Adapter.
APC-MX615FL	15" XGA IP66/IP69K stainless steel panel pc, Freescale i.MX6 Dual Lite ARM Cortex A9,1GB DDR3 RAM,4GB eMMC, (FL:5 wire resistive touch , PFL= projected capacitive touch , GFL: w/o touch), 9~36V DC power input with Adapter.

Dimension

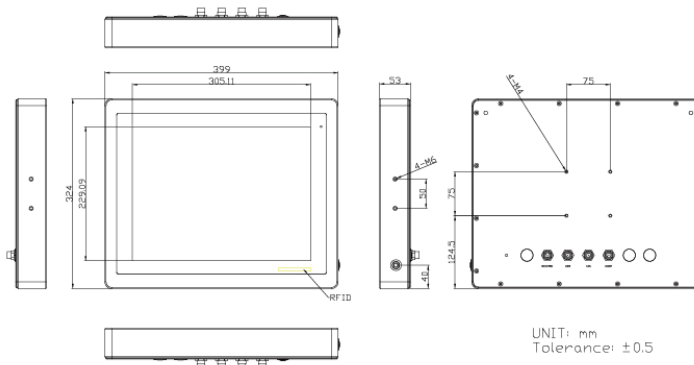
APC-MX610FL/GFL/PFL



APC-MX612FL/GFL/PFL



APC-MX615FL/GFL/PFL



APC-MN8XXFL/GFL/PFL

Features

- 10.1"/12.1"/15" TFT-LCD Touch monitor(GFL w/o touch).
- Intel Celeron N2930 1.83GHz Onboard Processor.
- True Flat Front Bezel and Grade 304 Stainless Steel Enclosure (Grade 316 for Option).
- IP66/IP69K Rated with M12 Connectors.
- Touch on/off Button on the Side Edge for Hygienic Cleaning.



Specification

Model Name	APC-MN810FL / GFL / PFL	APC-MN812FL / GFL / PFL	APC-MN815FL / GFL / PFL
System			
CPU	Onboard Intel Celeron N2930(1.83GHz) Processor		
System Memory	Onboard 4GB DDR 3L 1600 MHz/8GB (optional)		
Display			
Display Type	10.1" TFT-LCD	12.1" TFT-LCD	15." TFT-LCD
Max. Resolution	1280 x 800	800 x 600 / 1024x768(optional)	1024 x 768
Max. Color	16.7 M	262K, 16.2M	16.7 M
Luminance (cd/m ²)	350	450, 500	420
Contrast Ratio	800:1	800:1, 700:1	800:1
View angle(H°/V°)	H:170° / V:170°	H:160° / V:150°, H:160° / V:140°	H:160° / V:160°
Backlight Lifetime	15,000(hrs)	50,000 / 30,000(hrs)	50,000(hrs)
Touch screen			
Type	FL:R Touch / PFL :P Touch		
Interface	USB		
Light Transmission(%)	80%		
Storage			
HDD	1 x 2.5" HDD/SSD		
I/O Port			
USB	1 x M12 8-pin for USB 2.0 with waterproof cap		
Serial/Parallel	1 x M12 8pin for COM 1, RS-232/422/485, Default RS-232, with waterproof cap		
LAN	1 x M12 8pin for LAN with waterproof cap		
Power	1 x Touch on/off button on the side		
Expansion			
On board expansion bus	1 x Mini PCIe slot for WIFI/BT (optional)		
Power Requirement			
Power Input	9~36V DC		
Power Consumption	TBD	Max:18.9W	TBD
Software			
OS Support	Windows 7 Embedded Enterprise,Windows Embedded Standard 7, Windows Embedded 8.1 Pro,Windows Embedded 8.1 Industry Pro,Windows 10 IoT 2016		
Mechanical			
Construction	Stainless steel enclosure		
IP Rating	IP66 / IP69K		
Mounting	VESA 75 x 75, Yoke mount	VESA 75 x 75, Yoke mount	VESA 75 x 75, Yoke mount
Dimension (mm)	300 x 220 x 53	335 x 265 x 53	399 x 324 x 53
Net weight(Kgs)	4 kg	5 kg	7 kg

Environmental

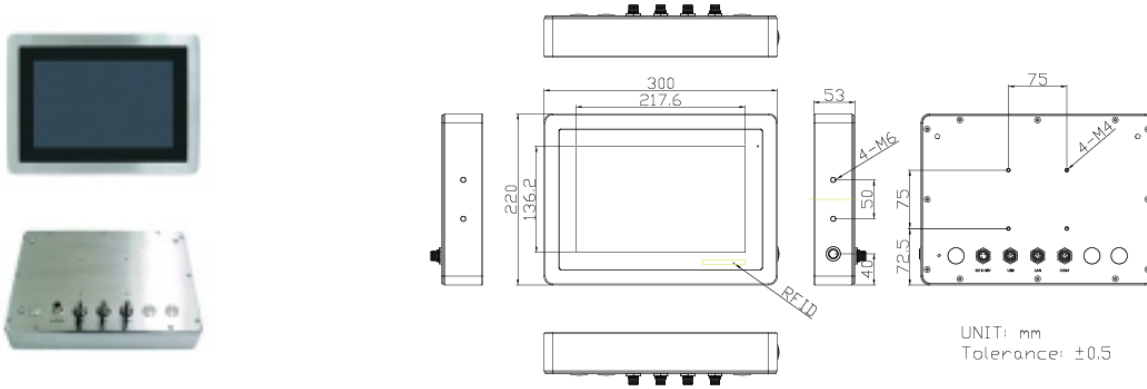
Operating temperature(°C)	-20~60°C
Storage temperature(°C)	-30~70°C
Storage humidity	10 to 90% @ 40°C, non- condensing
Certification	CE, FCC Class A,

Ordering Information

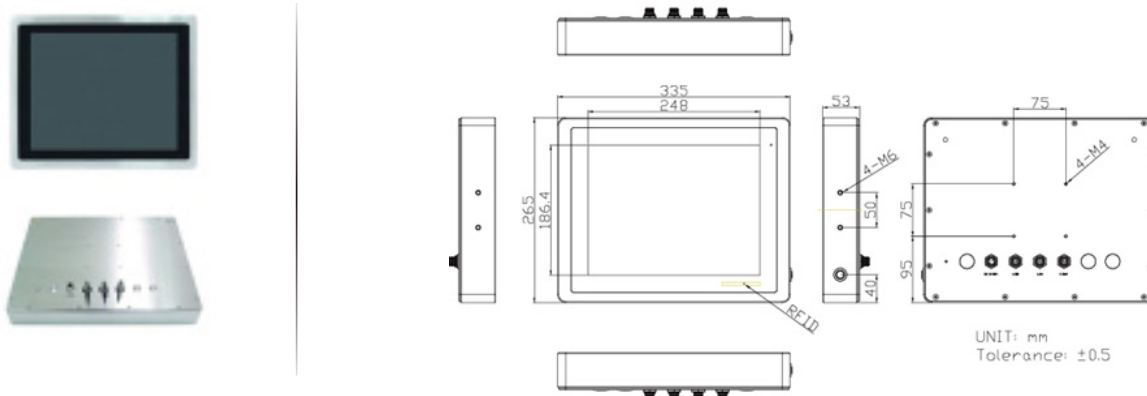
APC-MN810FL	10.1" WXGA IP66/IP69K stainless steel panel pc, Celeron N2930(1.83.GHz) CPU, 4GB DDR3L RAM, 32G MLC SSD, (FL:5 wire resistive touch , PFL= projected capacitive touch, GFL: w/o touch), 9~36V DC power input with Adapter. Accessory : 1 x M12 USB Cable
APC-MN812FL	12.1" SVGA IP66/IP69K stainless steel panel pc, Celeron N2930(1.83.GHz) CPU, 4GB DDR3L RAM, 32G MLC SSD, (FL:5 wire resistive touch , PFL= projected capacitive touch, GFL: w/o touch), 9~36V DC power input with Adapter. Accessory : 1 x M12 USB Cable
APC-MN815FL	15" XGA IP66/IP69K stainless steel panel pc, Celeron N2930(1.83.GHz) CPU, 4GB DDR3L RAM, 32G MLC SSD, (FL:5 wire resistive touch , PFL= projected capacitive touch, GFL: w/o touch), 9~36V DC power input with Adapter. Accessory : 1 x M12 USB Cable

Dimension

APC-MN810FL/GFL/PFL



APC-MN812FL/GFL/PFL



APC-MN815FL/GFL/PFL

