

# AR-PA807~808(P)FL-N2930

## Features

- 7"/8"/10.1"/12.1"/15" Industrial Compact Size Panel PC
- Flat front panel touch screen
- Fanless design
- Intel Bay Trail N2930(1.83GHz) CPU for option
- Onboard 4GB DDR3L-1600MHz / 4GB(option)
- 9~36VDC wide-ranging power input
- IP65 compliant front panel
- Optional projected capacitive touchscreen support 7H anti-scratch surface



## Specification

| Model Name  | AR-PA807(P)FL-N2930  | AR-PA808(P)FL-N2930  |
|---|--|----------------------|
| <b>System</b>                                     |  |                      |
| CPU   | Onboard Intel Bay Trail N2930(1.83GHz) Processor for option  |                      |
| System Chipset                                    | Intel Bay Trail SoC  |                      |
| System Memory                                     | Onboard 4GB DDR3L-1600MHz / 4GB(option)  |                      |
| <b>Display</b>                                    |  |                      |
| Display Type                                      | 7"   | 8"                   |
| Max. Resolution                                   | 800 x 480  | 800 x 600            |
| Max. Color  | 262 K  | 262 K                |
| Luminance (cd/m <sup>2</sup> )                    | 350  | 350                  |
| Contrast Ratio                                    | 400 : 1  | 500 : 1              |
| View angle(H°/V°)                                 | H:140° / V:110°  | H:140° / V:125°      |
| Backlight Lifetime                                | 40,000(hrs)  | 40,000(hrs)          |
| <b>Touch screen - Resistive Touch Window Type</b> |  |                      |
| Type  | Resistive Touch Windows  |                      |
| Interface   | USB  |                      |
| Light Transmission                                | Resistive Touch Windows: 80%   |                      |
| <b>Touch screen - Projected Capacitive Type</b>   |  |                      |
| Type  | Projected Capacitive Touch(For P Model)  |                      |
| Interface   | USB  |                      |
| Light Transmission                                | Projected Capacitive Touch: 90%  |                      |
| <b>I/O Port</b>                                   |  |                      |
| USB   | 1 x USB 2.0 type A + 1 x USB 3.0 type A  |                      |
| Serial/Parallel                                   | 1 x RS-232 DB-9(COM2) + 1 x DB-9 RS-232/422/485 (Default RS-232)(COM1)   |                      |
| Audio/HDMI  | 1 x Audio Line Out / 1 x HDMI Port (reserved, no printing)   |                      |
| LAN   | 2 x GbE LAN RJ-45  |                      |
| Power   | 1 x 3-pin Terminal Block DC Power input + 1 x 2-pin connector for power on/off button  |                      |
| <b>Storage</b>                                    |  |                      |
| HDD   | 1 x SATA MO-297 SSD bay (Easy Accessible)  |                      |
| Movable device                                    | 1 x SD card slot, up to 32GB   |                      |
| <b>Expansion</b>                                  |  |                      |
| On board expansion bus                            | 1 x Internal mini PCIe slot (full size)  |                      |
| <b>Power Requirement</b>                          |  |                      |
| Power Input                                       | 9~36V DC   |                      |
| Power Consumption                                 | Max:14.1W / 13.7W(P)   | Max:10.8W / 13.9W(P) |
| <b>Software</b>                                   |  |                      |
| OS Support  | Windows Embedded Compact 7, Windows Embedded Standard 7, Windows Embedded 8 Standard, Windows Embedded 8.1 Industry Windows 10 IoT Enterprise 2015 LTS13 |                      |

## Mechanical

|                 |  |                |
|-----------------|--|----------------|
| Color           | RAL 9007                                     |                |
| Construction    | Aluminum Die-casting Front Bezel and Chassis |                |
| Mounting        | Panel Mounting, VESA 75 x 75                 |                |
| Dimension (mm)  | 202 x 149 x 40                               | 231 x 176 x 50 |
| Net Weight (KG) | 1.2 Kg                                       | 1.9 Kg         |

## Environmental

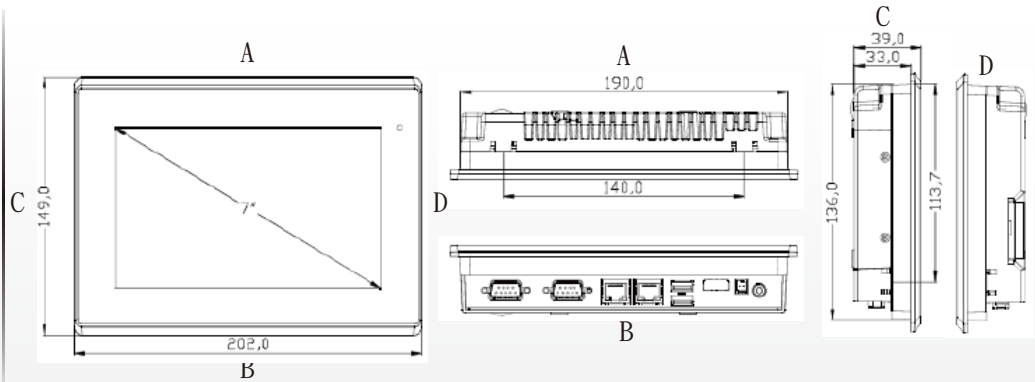
|                           |                                   |
|---------------------------|-----------------------------------|
| Operating temperature(°C) | 0~50°C                            |
| Storage temperature(°C)   | -20~60°C                          |
| Storage humidity          | 10 to 90% @ 40°C, non- condensing |
| Certification             | CE, FCC CLASS A, CB, UL           |

## Ordering Information

|               |   |
|---------------|---|
| AR-PA807(P)FL | 7" WVGA Fanless HMI barebone with Intel N2930 CPU, 4GB DDR3L RAM, Resistive touch screen, 9~36V DC input with adapter / Projected Capacitive touch screen, Aluminum chassis |
| AR-PA808(P)FL | 8" SVGA Fanless HMI barebone with Intel N2930 CPU, 4GB DDR3L RAM, Resistive touch screen, 9~36V DC input with adapter / Projected Capacitive touch screen, Aluminum chassis |

## Dimension

### AR-PA807(P)FL



### AR-PA808(P)FL

