

AR-PA7XXFL-N2600

Features

- Variety of LCD Panel Size Selections
- Flat Front Panel with IP65 Design
- Solid Aluminum Die-casting Chassis
- Intel Atom N2600 processor, Dual Core Low Power Fanless System



Specification

| Model Name | AR-PA707(P)FL-N2600 | AR-PA708(P)FL-N2600 | AR-PA710(P)FL-N2600 |
|--------------------------------|--|------------------------------|--------------------------------|
| System | | | |
| CPU | Intel Atom N2600 processor, Dual Core Low Power Fanless System | | |
| System Chipset | Intel NM10 | | |
| System Memory | Onboard 2GB DDR3-800MHz | | |
| Display | | | |
| Display Type | 7" TFT-LCD | 8" TFT-LCD | 10.1" TFT-LCD |
| Max. Resolution | 800 x 480 | 800 x 600 | 1280 x 800 |
| Max. Color | 262 K | 262 K | 262 K |
| Luminance (cd/m ²) | 350 | 350 | 350 |
| View angle(H°/V°) | H:140° / V:110° | H:140° / V:125° | H:160° / V:160° |
| Backlight Lifetime | 40,000(hrs) | 40,000(hrs) | 40,000(hrs) |
| Touch screen | | | |
| Type | Resistive Touch / Projected Capacitive Touch (for P model) | | |
| Interface | RS-232(Resistive Touch Window) / USB (Projected Capacitive Touch) | | |
| Light Transmission(%) | Resistive touch window : 80% / Projected Capacitive Touch : 90% | | |
| Storage | | | |
| HDD | 1 x 1.8" SATA2 half size(MO-297) | | 1 x 2.5" SATA2 |
| Movable device | 1 x Internal SD slot | | 1 x Internal SD slot |
| I/O Port | | | |
| USB | 2 x USB 2.0 type A, USB4/5 | | |
| Serial/Parallel | 1 x RS-232/422/485 DB-9, COM1, Default RS-232 / 1 x RS-232 DB-9, COM2 | | |
| Audio | 1 x Line out phone jack | | |
| LAN | 2 x GbE RJ-45 | | |
| Power | 3 pins terminal block connector, DC Power input | | |
| Expansion | | | |
| On board expansion bus | 1 x Internal mini PCIe half size | | |
| Power Requirement | | | |
| Power Input | 9~36V DC | | |
| Power Consumption | Max:12.8W Max:13.0W(P) | Max:15.2W | Max: 11W |
| Software | | | |
| OS Support | Windows XP pro / Embedded / CE6.0 / Windows 7 pro for Embedded / Windows Embedded standard 7 (Win 7 support 3D Graphic function) | | |
| Mechanical | | | |
| Construction | Sliver aluminum front bezel and chassis | | |
| IP Rating | IP65 front panel | | |
| Mounting | Panel mounting, VESA 75 x 75 | Panel mounting, VESA 75 x 75 | Panel mounting, VESA 100 x 100 |
| Dimension (mm) | 202 x 149 x 40 | 231 x 176 x 50 | 285 x 189 x 48.9 |
| Net Weight (Kgs) | 1.2 kg | 1.8 kg | 2.1 kg |

Specifications are subject to change without notice.

Environmental

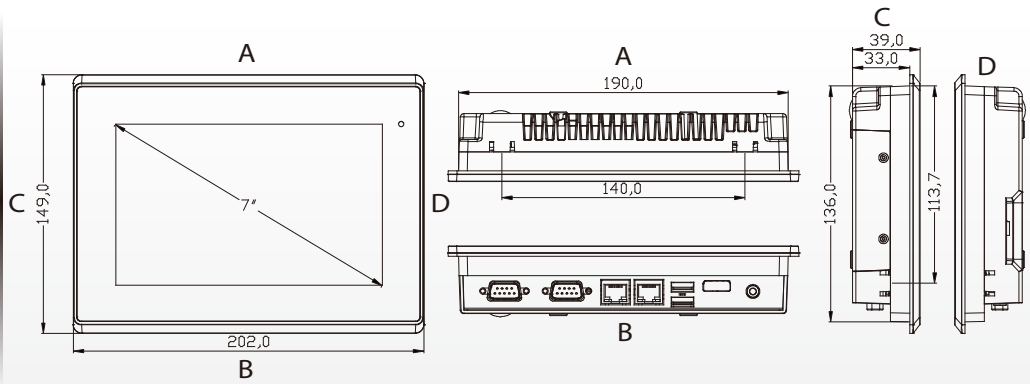
| | |
|---------------------------|-----------------------------------|
| Operating temperature(°C) | 0~50°C (option) |
| Storage temperature(°C) | -20~60°C |
| Storage humidity | 10 to 90% @ 40°C, non- condensing |
| Certification | CE / FCC Class A |

Ordering Information

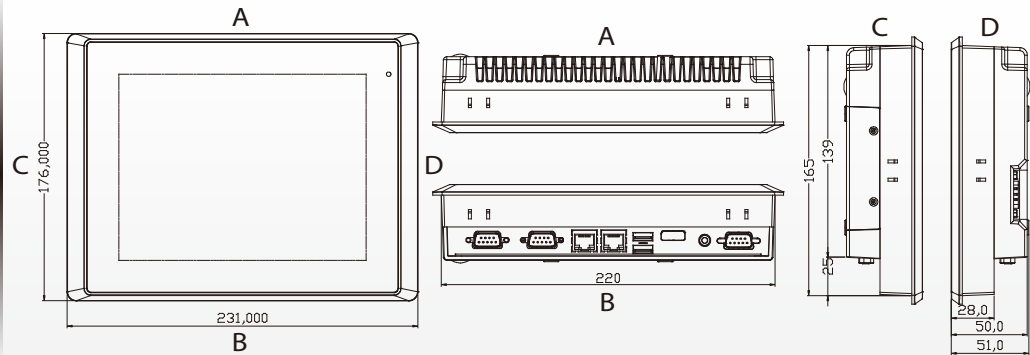
| | |
|---------------|--|
| AR-PA707(P)FL | 7" WVGA 800 x 480 fanless HMI With Atom N2600 1.6 GHz CPU, 2GB DDR3 memory, touch window resistive touch screen / projected capacitive touch screen, 9~36VDC input with adapter, Aluminum chassis. |
| AR-PA708(P)FL | 8" SVGA 800 x 600 fanless HMI With Atom N2600 1.6 GHz CPU, 2GB DDR3 memory, touch window resistive touch screen / projected capacitive touch screen, 9~36VDC input with adapter, Aluminum chassis. |
| AR-PA710(P)FL | 10.1" WVGA 1280 x 800 fanless HMI With Atom N2600 1.6 GHz CPU, 2GB DDR3 memory, touch window resistive touch screen / projected capacitive touch screen, 9~36VDC input with adapter, Aluminum chassis. |

Dimension

AR-PA707(P)FL



AR-PA708(P)FL



AR-PA710(P)FL

