

AR-PA717(P)FL-N2600

Features

- 17" Industrial Compact Size Panel PC
- Flat front panel touch screen
- Fanless design
- Intel Atom N2600 1.86GHz CPU built-in
- Onboard 2GB DDR3-800MHz
- 9~36VDC wide-ranging power input
- IP65 compliant front panel
- Optional projected capacitive touchscreen support 7H anti-scratch surface



Specification

Model Name	AR-PA717(P)FL-N2600	AR-PA721(P)FL-N2600
System		
CPU	Intel Atom N2600 processor, Dual Core Low Power Fanless System	
System Chipset	Intel NM10	
System Memory	Onboard 2GB DDR3-800MHz	
Display		
Display Type	17" TFT-LCD	21.5" TFT-LCD
Max. Resolution	1280 x 1024	1920 x 1080
Max. Color	16.2M	16.7 M
Luminance (cd/m ²)	350	250
Contrast Ratio	1000 : 1	3000 : 1
View angle(H°/V°)	H:160° / V:170°	H:178° / V:178°
Backlight Lifetime	30,000 (hrs)	30,000(hrs)
Touch screen - Resistive Touch Screen / Projected Capacitive Touch Screen		
Type	Resistive Touch Window / Projected Capacitive Touch (for P model)	
Interface	USB	
Light Transmission(%)	Resistive touch window : 80% / Projected Capacitive Touch : 90%	
Storage		
HDD	1 x 2.5" SATA HDD bay for SATA HDD (Easy Accessible)	
Movable device	1 x SD card slot, up to 32GB	
I/O Port		
USB	2 x USB 2.0 type A	
Serial / Parallel	1 x RS-232 DB-9 1 x DB-9 RS-232/422/485 (Default RS-232)	
Audio	1 x Audio Line Out	
LAN	2 x GbE RJ-45	
Power	1 x 3-pin Terminal Block connector 1 x 2-pin power switch connector	
LED light	1 x Power LED Light	
Option	2 x RS-232 DB-9 + 1 x mini PCIe slot via TB-528C2ME1 2 x CAN bus via TB-528CAN2 2 x USB 2.0 type A + 1 x mini PCIe slot + 1xRS-232 DB-9 via TB-528C1U2P1 2 x USB 2.0 type A + via TB-528U2	
Power Requirement		
Power Input	9~36V DC	
Power Consumption	Max:34.7 W	AR-PA721 Max:30.0 W / Max:38.8 W(P)
Software		
OS Support	Windows XP pro / Embedded / CE6.0 / Windows 7 pro for Embedded / Windows Embedded standard 7	

Expansion

Expansion slot 1 x Internal mini PCIe half size

Mechanical

Chassis Color RAL9007

Front Bezel Front Bezel Design

Front Bezel Metal Aluminum / Panel Mounting

Rear Panel Metal Aluminum / VESA 100

IP Rating IP65 compliant front panel Bezel

Mounting Panel Mounting VESA 100 x 100

Dimension (mm) 439 x 348 x 64.8 mm | 557 x 362 x 64.8 mm

Net Weight (KG) 5.1 Kg | 7.8 Kg

Environmental

Operating temperature(°C) 0~50°C (option)

Storage temperature(°C) -20~60°C

Storage humidity 10 to 90% @ 40°C, non- condensing

Certification CE / FCC Class A, CB, UL

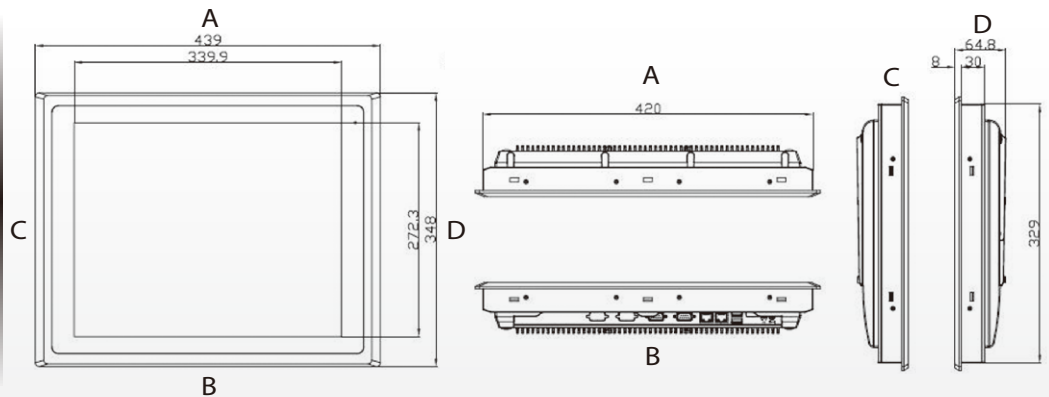
Ordering Information

AR-PA717(P)FL 17" SXGA 1280 x 1024 fanless HMI With Atom N2600 1.6 GHz CPU, 2GB DDR3 memory, touch window resistive touch screen / projected capacitive touch screen, 9~36VDC input with adapter, Aluminum chassis.

AR-PA721(P)FL 21.5" FHD 1280 x 1024 fanless HMI With Atom N2600 1.6 GHz CPU, 2GB DDR3 memory, touch window resistive touch screen / projected capacitive touch screen, 9~36VDC input with adapter, Aluminum chassis.

Dimension

AR-PA717(P)FL



AR-PA721(P)FL

