

# AR-PA7XXFL-N2600

## Features

- Variety of LCD Panel Size Selections
- Flat Front Panel with IP65 Design
- Solid Aluminum Die-casting Chassis
- Intel Atom N2600 processor, Dual Core Low Power Fanless System



## Specification

Model Name	AR-PA712(P)FL-N2600	AR-PA715(P)FL-N2600
<b>System</b>		
CPU	Intel Atom N2600 processor, Dual Core Low Power Fanless System	
System Chipset	Intel NM10	
System Memory	Onboard 2GB DDR3-800MHz	
<b>Display</b>		
Display Type	12.1" TFT-LCD	15" TFT-LCD
Max. Resolution	800 x 600	1024 x 768
Max. Color	262 K	262 K
Luminance (cd/m <sup>2</sup> )	450	300
View angle(H°/V°)	H:160° / V:140°	H:160° / V:145°
Backlight Lifetime	50,000(hrs)	50,000(hrs)
<b>Touch screen</b>		
Type	Resistive Touch Window / Projected Capacitive Touch (for P model)	
Interface	RS-232(Resistive Touch Window) / USB (Projected Capacitive Touch)	
Light Transmission(%)	Resistive touch window : 80% / Projected Capacitive Touch : 90%	
<b>Storage</b>		
HDD	1 x 2.5" SATA2	
Movable device	1 x Internal SD slot	
<b>I/O Port</b>		
USB	2 x USB 2.0 type A, USB4/5	
Serial/Parallel	1 x RS-232/422/485 DB-9, COM1, Default RS-232 / 1 x RS-232 DB-9, COM2	
Audio	1 x Line out phone jack	
LAN	2 x GbE RJ-45	
Power	3 pins terminal block connector, DC Power input	
<b>Expansion</b>		
On board expansion bus	1 x Internal mini PCIe half size	
<b>Power Requirement</b>		
Power Input	9~36V DC	
Power Consumption	Max:18W	Max:19.2W
<b>Software</b>		
OS Support	Windows XP pro / Embedded / CE6.0 / Windows 7 pro for Embedded / Windows Embedded standard 7 (Win 7 support 3D Graphic function)	
<b>Mechanical</b>		
Construction	Aluminum Die-casting Front Bezel and Chassis	
IP Rating	IP65 Compliant Front Bezel	
Mounting	Panel mounting, VESA 100 x 100	
Dimension (mm)	319 x 245 x 51.7	410 x 310 x 54.7
Net Weight (Kgs)	2.5 kg	4.4 kg

Specifications are subject to change without notice.

### Environmental

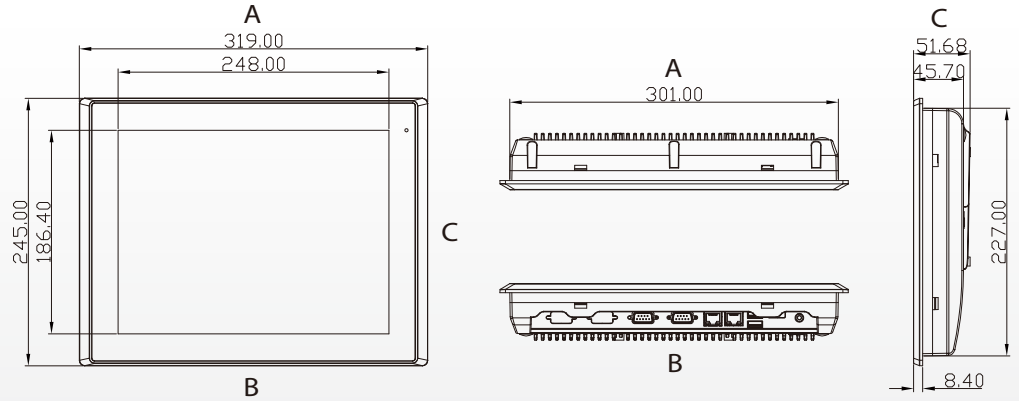
Operating temperature(°C)	0~50°C (option)
Storage temperature(°C)	-20~60°C
Storage humidity	10 to 90% @ 40°C, non- condensing
Certification	CE / FCC Class A

### Ordering Information

AR-PA712(P)FL	12.1" WVGA 800 x 600 fanless HMI With Atom N2600 1.6 GHz CPU, 2GB DDR3 memory, touch window resistive touch screen / projected capacitive touch screen, 9~36VDC input with adapter, Aluminum chassis.
AR-PA715(P)FL	15" SVGA 1024 x 768 fanless HMI With Atom N2600 1.6 GHz CPU, 2GB DDR3 memory, touch window resistive touch screen / projected capacitive touch screen, 9~36VDC input with adapter, Aluminum chassis.

## Dimension

### AR-PA712(P)FL



### AR-PA715(P)FL

