

APC-MN8XXFL/GFL/PFL

Features

- 10.1"/12.1"/15" TFT-LCD Touch monitor(GFL w/o touch).
- Intel Celeron N2930 1.83GHz Onboard Processor.
- True Flat Front Bezel and Grade 304 Stainless Steel Enclosure (Grade 316 for Option).
- IP66/IP69K Rated with M12 Connectors.
- Touch on/off Button on the Side Edge for Hygienic Cleaning.



Specification

Model Name	APC-MN810FL / GFL / PFL	APC-MN812FL / GFL / PFL	APC-MN815FL / GFL / PFL
System			
CPU	Onboard Intel Celeron N2930(1.83GHz) Processor		
System Memory	Onboard 4GB DDR 3L 1600 MHz/8GB (optional)		
Display			
Display Type	10.1" TFT-LCD	12.1" TFT-LCD	15." TFT-LCD
Max. Resolution	1280 x 800	800 x 600 / 1024x768(optional)	1024 x 768
Max. Color	16.7 M	262K, 16.2M	16.7 M
Luminance (cd/m ²)	350	450, 500	420
Contrast Ratio	800:1	800:1, 700:1	800:1
View angle(H°/V°)	H:170° / V:170°	H:160° / V:150°, H:160° / V:140°	H:160° / V:160°
Backlight Lifetime	15,000(hrs)	50,000 / 30,000(hrs)	50,000(hrs)
Touch screen			
Type	FL:R Touch / PFL :P Touch		
Interface	USB		
Light Transmission(%)	80%		
Storage			
HDD	1 x 2.5" HDD/SSD		
I/O Port			
USB	1 x M12 8-pin for USB 2.0 with waterproof cap		
Serial/Parallel	1 x M12 8pin for COM 1, RS-232/422/485, Default RS-232, with waterproof cap		
LAN	1 x M12 8pin for LAN with waterproof cap		
Power	1 x Touch on/off button on the side		
Expansion			
On board expansion bus	1 x Mini PCIe slot for WIFI/BT (optional)		
Power Requirement			
Power Input	9~36V DC		
Power Consumption	TBD	Max:18.9W	TBD
Software			
OS Support	Windows 7 Embedded Enterprise, Windows Embedded Standard 7, Windows Embedded 8.1 Pro, Windows Embedded 8.1 Industry Pro, Windows 10 IoT 2016		
Mechanical			
Construction	Stainless steel enclosure		
IP Rating	IP66 / IP69K		
Mounting	VESA 75 x 75, Yoke mount	VESA 75 x 75, Yoke mount	VESA 75 x 75, Yoke mount
Dimension (mm)	300 x 220 x 53	335 x 265 x 53	399 x 324 x 53
Net weight(Kgs)	4 kg	5 kg	7 kg

Environmental

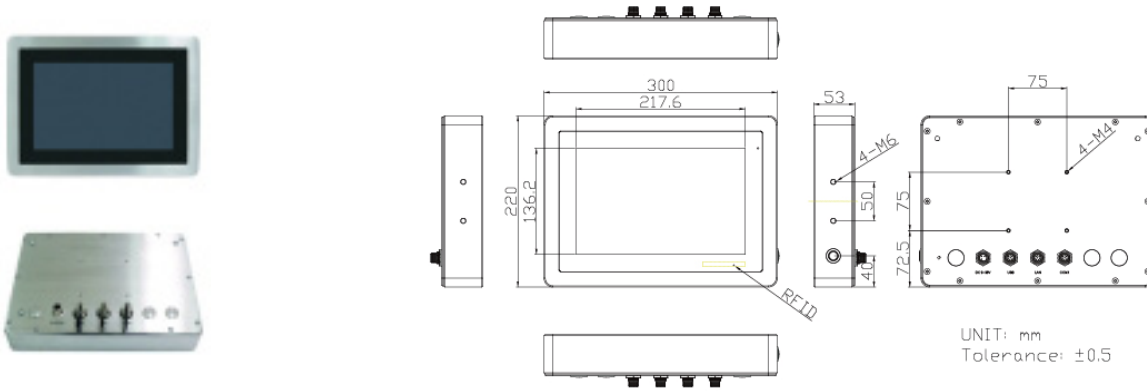
Operating temperature(°C)	-20~60°C
Storage temperature(°C)	-30~70°C
Storage humidity	10 to 90% @ 40°C, non- condensing
Certification	CE, FCC Class A,

Ordering Information

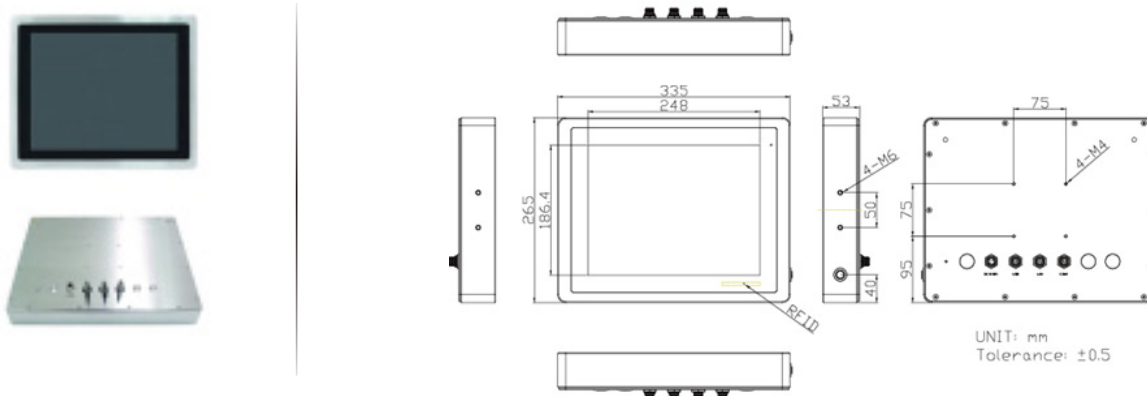
APC-MN810FL	10.1" WXGA IP66/IP69K stainless steel panel pc, Celeron N2930(1.83.GHz) CPU, 4GB DDR3L RAM, 32G MLC SSD, (FL:5 wire resistive touch , PFL= projected capacitive touch, GFL: w/o touch), 9~36V DC power input with Adapter. Accessory : 1 x M12 USB Cable
APC-MN812FL	12.1" SVGA IP66/IP69K stainless steel panel pc, Celeron N2930(1.83.GHz) CPU, 4GB DDR3L RAM, 32G MLC SSD, (FL:5 wire resistive touch , PFL= projected capacitive touch, GFL: w/o touch), 9~36V DC power input with Adapter. Accessory : 1 x M12 USB Cable
APC-MN815FL	15" XGA IP66/IP69K stainless steel panel pc, Celeron N2930(1.83.GHz) CPU, 4GB DDR3L RAM, 32G MLC SSD, (FL:5 wire resistive touch , PFL= projected capacitive touch, GFL: w/o touch), 9~36V DC power input with Adapter. Accessory : 1 x M12 USB Cable

Dimension

APC-MN810FL/GFL/PFL



APC-MN812FL/GFL/PFL



APC-MN815FL/GFL/PFL

