

AR-ES6050FLD-W

Fanless and Dustproof Intel Atom N450 Embedded System



Features

- Support Intel Atom N450
- Memory Support DDR2-400/533/667 up to 2GB
- 2 x COM, 6 x USB 2.0, 2 x GbE
- DIN Mount and Wall Mount
- Wide Range Power Input, DC9~32V



CE FCC

Specification

System

CPU	Intel Atom N450 1.66GHz
Chipset	Intel ICH8M
Memory	<ul style="list-style-type: none">• 1 x 200-pin SO-DIMM socket support 400/533/667MHz DDR2 SDRAM up to 2GB• 1GB DDR2 pre-installed
BIOS	Insyde
Hardware Monitoring	<ul style="list-style-type: none">• CPU voltage and temperature• CPU and system fan speed
WatchDog Timer	Software programmable 1~255 sec.

Video

Graphic Controller	Intel Atom N450 intergrated
Video Memory	DVMT 3.0, Maximum 224MB shared
Video Interface	<ul style="list-style-type: none">• 1 x VGA port (DB15)• 1 x 18-bit LVDS (Pin header)

Storage

SATA	2 x SATA II port
CF	1 x Compact Flash Type I/II slot support UDMA 33

I/O

Ethernet	2 x GbE RJ45 with LED, Realtek RTL8111D
USB	6 x USB 2.0 (4 x external port, 2 x pin header)
Serial Port	2 x RS-232 (1 x DB9, 1 x pin header)
PCI Slot	1 x PCI-104 expansion
Mini PCIe	1 x Mini PCIe expansion
Audio	Realtek Audio Codec (Line-Out)
GPIO	8-bit Digital I/O

Power Requirement

Power Input	9 ~ 32V (+/-5%) single voltage input, 3 poles terminal block
Power adapter	100 ~ 240V
Power Consumption	60W power adapter

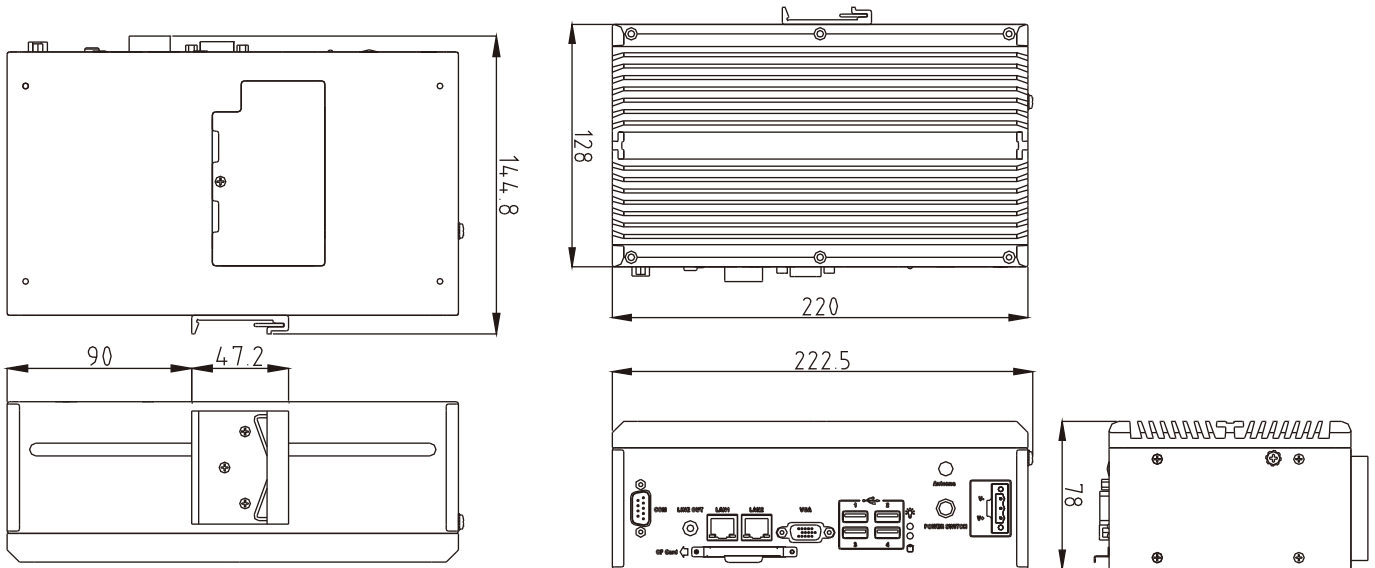
Software

OS Support	Windows XP/XP Embedded, Linux kernel 2.6.31
------------	---

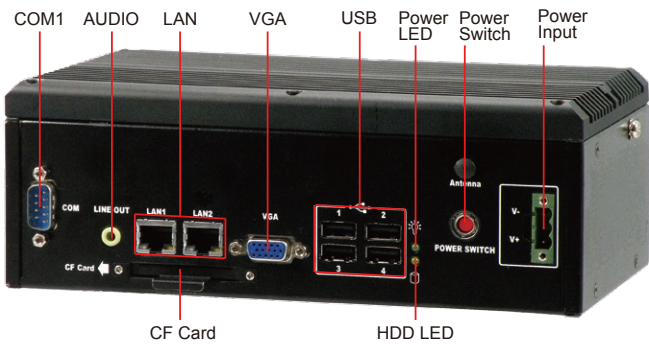
Mechanical & Environment

Thermal Design	Fanless
Chassis Material	SECC + Aluminum heatsink
Dimension	222.5mm x 128mm x 78mm
Weight	2.5 Kg
Operating Temp.	0~50°C (32~122°F)
Storage temp.	-20~80°C (-4~176°F)
Relative Humidity	0 to 90% @ 40°C, non-condensing
Safety	CE, FCC class B

Dimension



I/O Connectors



Packing List

- 1 x AR-ES6050FLD-W
- 1GB memory per-installed
- 1 x Driver CD
- 1 x User manual
- 1 x DIN mounting bracket
- 1 x AC power Cord
- 1 x 60W power adapter

Ordering Information

AR-ES6050FLD-W Intel N450+ICH8M, 1GB DDR2, DIN mount

Optional Modules

170010587-G Wall mount bracket x 2
170020028-G screw x 4