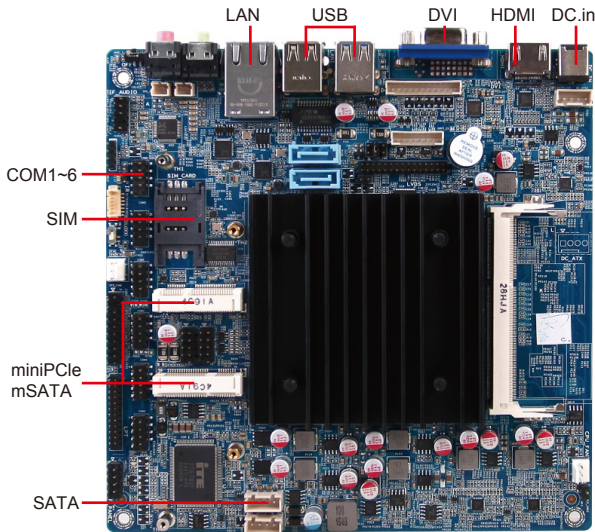


# AMB-BS31T1

Intel® Celeron N3150 (Braswell, 2M Cache, 2.0



## Features

- Intel® Celeron N3150
- DVI/HDMI/LVDS, Dual Display Support.
- 2x USB3.0, 3~5 x USB2.0,
- 2 x miniPCIe
- 1 x mSATA ,
- Optional Dual LAN,6XCOM.



## Power Requirement

Power Input 12V ~ 19V DC

## Software

OS Support Windows 8.1 (32 bit/64 bit), Windows 10 Linux(by request)

## Mechanical & Environment

Operating Temp. 0~60°C

Storage temp. -20~75°C

Hamidily 95%@40°C(non-condensiag)

Safety RoHS

## Specification

### System

CPU	Intel® Celeron® N3150
Memory	1 x So-DIMM DDR3L 1333 MHz DIMM socket, Support up to 8GB system memory
BIOS	AMI EFI 64Mb BIOS
Cooler Module	Fanless heatsink.

### Video

Graphic Controller	Intel® HD Graphicsy
Video Interface	1 x DIV-I , Up to 2560 x 1600 @ 60Hz 1 x HDMI, Up to 2560 x 1600 @60Hz 1 x LVDS , Up to 1920 x 1080

### Storage

SATA	2 x SATAIII, 1 x mSATAIII
------	---------------------------

### I/O

Expansion Slot	2 x miniPCIe- -Full length for mSATA , miniPCIe -Full length for miniPCIe/USB/3G/wi-fi, 1 x SIM
Ethernet	1 x RJ45 Gbe LAN (AMB-BS31T1SL) 2 x RJ45 Gbe LAN (AMB-BS31T1)
Ethernet Chip	Realtek 8111F LAN controller
Serial Port	6 x RS232 header(AMB-BS31T1) 2 x RS232 header(AMB-BS31T1SL)
Parallel Port	1 x LPT header
USB	2 x USB3.0 (AMB-BS31T1) Or 2 x USB 3.0 + 2 x USB 2.0 (AMB-BS31T1SL) 3 x USB 3.0 header
Audio	Realtek High Definition Audio -1 x Line in -1 x Audio out
GPIO	8 bit Digital I/O