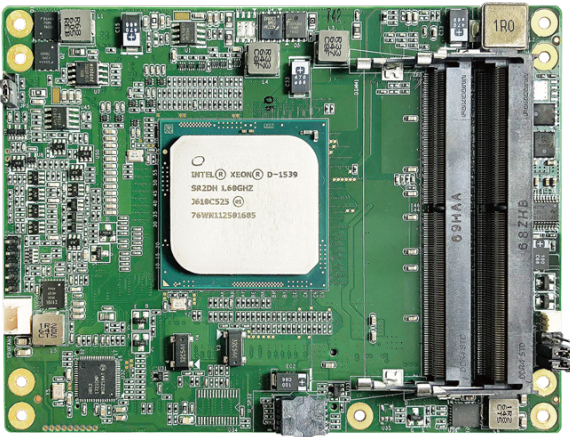


# ACM-XD15B7

Intel Xeon D COM Express Basic Type 7 Module



## Features

- Newest platform and highest performance  
COM Express Basic Type 7
- The Intel Xeon D Processor
- Xeon® D1548 2.0/2.6GHz 12MB(8 core)
- Support Two DDR4 ECC SODIMM , up to 32GB
- 32 PCI-e Lanes
- 2 x 10 GbE KR & NC-SI



## Specification

### System

CPU	Xeon® D1548 (8 Core, 2.0/2.6GHz, 12MB cache, TDP 45W)
Chipset	Integrated in SoC processor
Memory	2 x 2400 DDR4 SODIMM(Support ECC function) up to 32GB Default configuration: 2 x 8GB
BIOS	AMI
WatchDog Timer	Software programmable 1~255 sec

### Storage (Support by Carrier Board)

SATA	• 2 x SATA III with 6Gb/s
------	---------------------------

### I/O (Support by Carrier Board)

Ethernet Chip	1 x Intel I210AT GbE Lan, supports PXE Boot 2 x 10 GbE with KR interface & NC-SI
Expansion Interface	24 x PCI-e 3.0 Lanes • 1 x PCI-e 3.0 x16 (or 2 x PCI-e x 8) • 1 x PCI-e 3.0 x 8 7 x PCI-e 2.0 Lanes • 6 x PCI-e 2.0 x1(AB connector) • 1 x PCI-e 2.0 x1(CD connector)
Serial Interface	2 x COM port Interface (TX/RX only)
USB	4 x USB 3.0, 8 x USB 2.0
GPIO	8-bit Digital I/O, 4-bit DI and 4-bit DO
Audio Codec	Intel HD Audio Channel

### Software

OS Support	• Linux Kernel 4.9 & above
------------	----------------------------

### Mechanical & Environment

Dimension	125 mm x 95 mm (4.92" x 3.74") COM Express Basic
Weight	TBD
Operating Temp.	0~60°C (32~140°F)
Storage Temp.	-20~80°C (-4~176°F)
Relative Humidity	0 to 90%, non-condensing
Safety	CE, FCC compliant

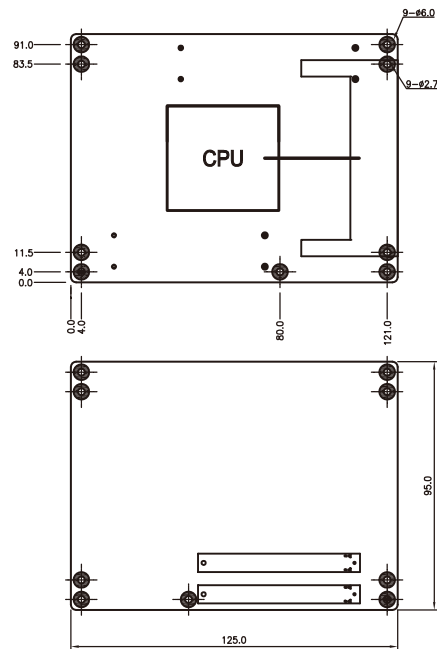
### Packing List

- 1 x ACM-XD15B7
- 1 x CD Title
- 1 x Quick Guide

## Ordering Information

ACM-XD15B7	Intel Xeon D 1548 , COM Express Basic Type 7 Module
------------	---

## Dimension



\*About the COM-e board, Acrosser can offers consultation for custom carrier board design and planning and also provides low-volume and diverse custom carrier board design, production, manufacturing, and assembly services to help customers who have specific needs for custom carrier boards.